

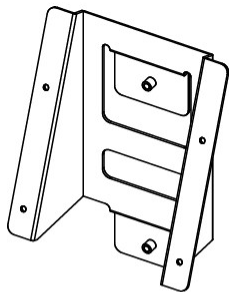
## USER'S MANUAL LWM-840

### WALL MOUNT

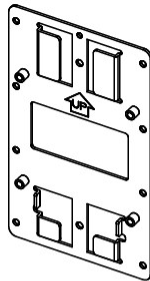
The LWM-840 is an optional hanging bracket for attaching the printer to a wall. This manual describes the procedures and precautions for installing and using the LWM-840.

### 1. Checking the Parts

Open the package and confirm that it contains all of the parts listed below. If any parts are missing or damaged, please contact your dealer for assistance.



**BRACKET-HANGER**



**BRACKET-MOUNT**



**USER'S MANUAL**



**SCREW 4x10 : 8pcs**  
→ Wall + **BRACKET-MOUNT**



**SCREW 3x6 : 4pcs**  
→ Printer + **BRACKET-HANGER**



**SCREW 4x8 : 6pcs (Only for VESA MOUNT)**  
→ VESA MOUNT + **BRACKET-MOUNT**  
→ **BRACKET-HANGER** + **BRACKET-MOUNT**

## 2. Installing the XQ-840II series

Before installation, be sure that the printer and all equipment connected to the printer is turned off. Detach all cables from the body of the printer.

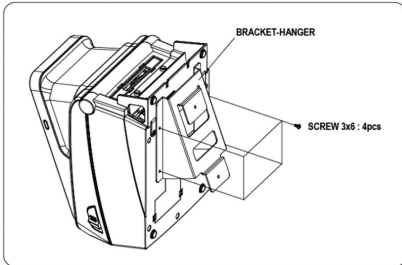
### 2-1. Installing the wall-mount

#### **⚠ CAUTION**

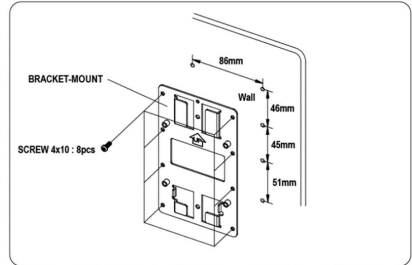
- The weight of the XQ-840II series printers are approx. 3.7kg(paper included). In order to insure that the wall-mount can properly support the weight of the printer, please secure it with screws appropriate to the type of wall being used. Regarding the diameter of the screws, 4mm is recommended.
  - Be sure to fasten the wall-mount securely to the wall with a screw in each of the eight holes.
  - We are not responsible for any damage to printers or injury resulting from incorrect assembly or mishandling.
- Before attaching the wall-mount, make sure enough space remains around the printer.
  - Attach the wall-mount to the wall in the position illustrated to the below (Please check the direction of the arrow mark on the BRACKET-MOUNT), and fasten securely with eight screws.

## 2-2. Attaching the printer to a wall

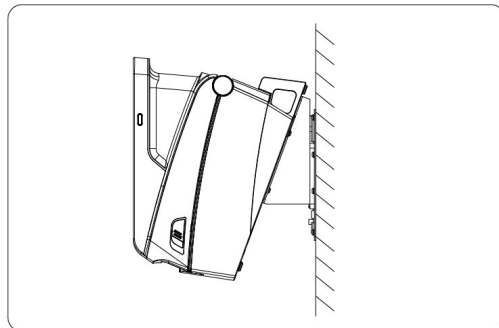
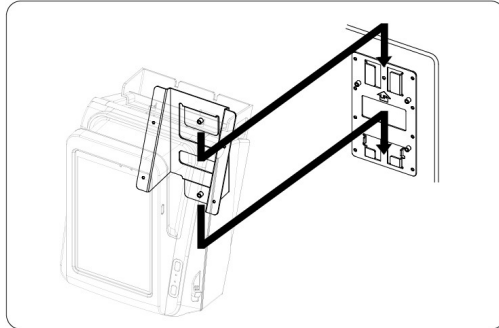
(1) Assemble the BRACKET-HANGER on the bottom of the printer as shown.



(2) Attach the BRACKET-MOUNT to the wall firmly with the eight screws. Be sure that the BRACKET-MOUNT attached properly to match the direction of arrow as shown. And the BRACKET-MOUNT should be always fixed vertically.

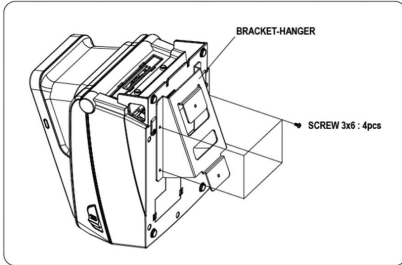


(3) Insert the BRACKET-HANGER of printer to the BRACKET-MOUNT as shown.

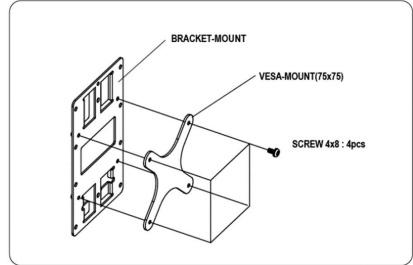


## 2-3. Attaching the printer to a VESA Mount

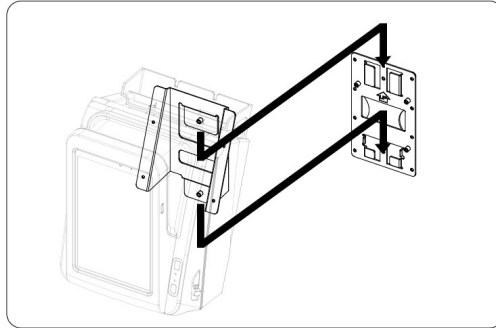
(1) Assemble the BRACKET-HANGER on the bottom of the printer as shown.



(2) Attach the BRACKET-MOUNT to the VESA-MOUNT(75x75mm) firmly with the four screws. Be sure that the BRACKET-MOUNT attached properly to match the direction of arrow as shown.



(3) Insert the BRACKET-HANGER of printer to the BRACKET-MOUNT as shown.



(4) Tighten two screws as shown.

