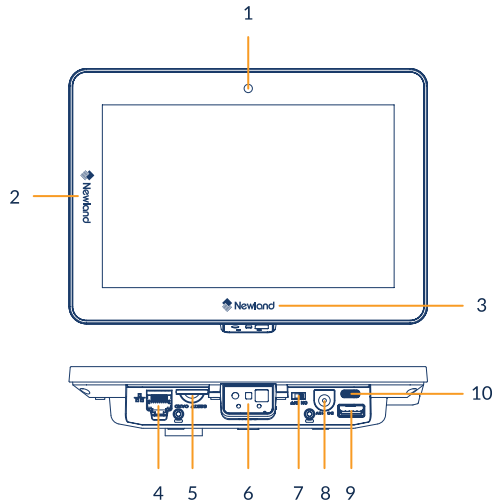
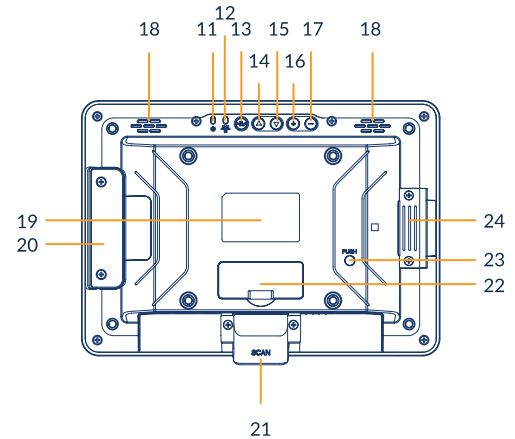


## Front view



1	Camera	2	Logo LED #1
3	Logo LED #2	4	RJ45 Ethernet port
5	SIM/TF card slot	6	Barcode scanner (option)
7	Power switch	8	DC-In jack
9	Type-C USB port	10	Type-A USB port

## Back view



11	Power LED indicator	12	Ethernet LED indicator
13	Menu key	14	Up key
15	Down key	16	Vol + key
17	Vol - key	18	Speaker
19	Product label	20	Expansion slot cover
21	Barcode scanner (option)	22	Expansion slot cover
23	Push-to-release-hole	24	Scanner connector cover



Visit our website  
[newland-id.com](http://newland-id.com)



## NQUIRE 750 STINGRAY II