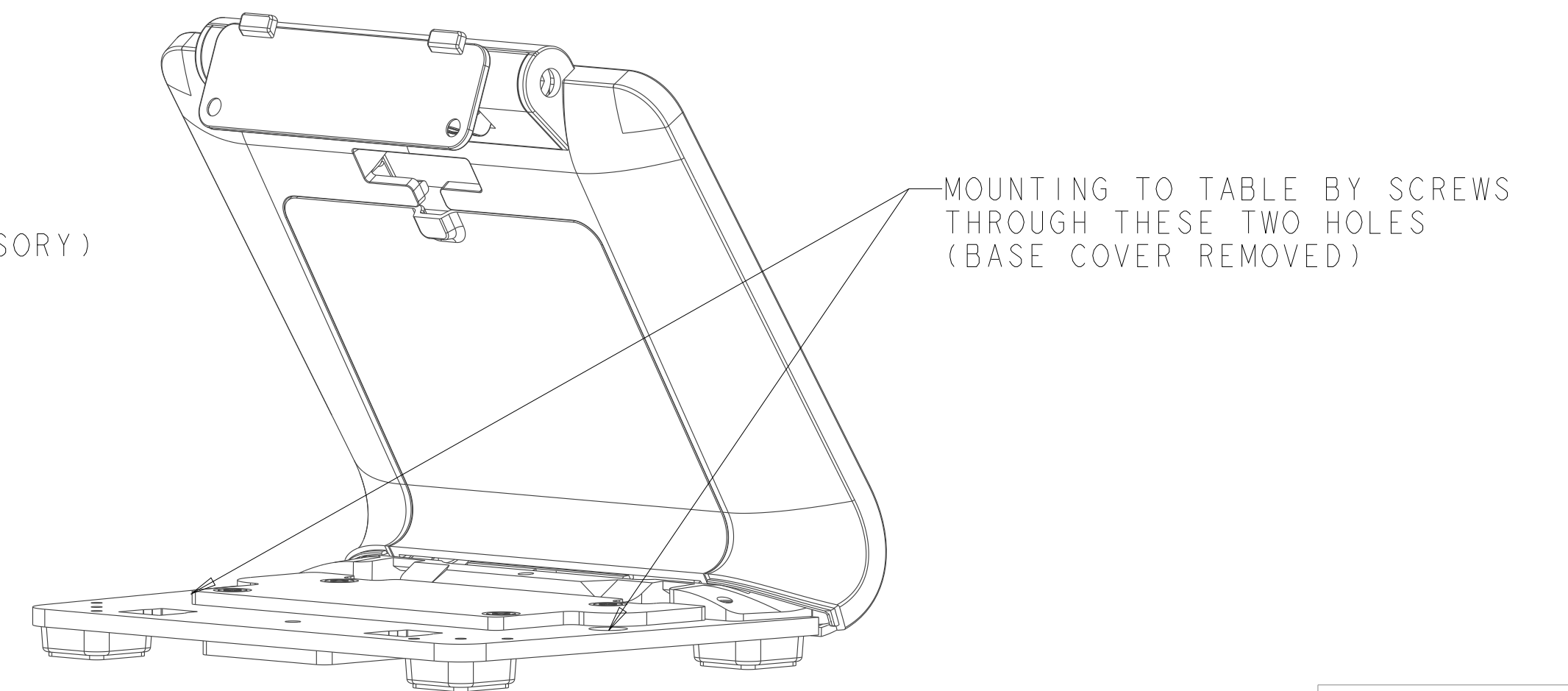
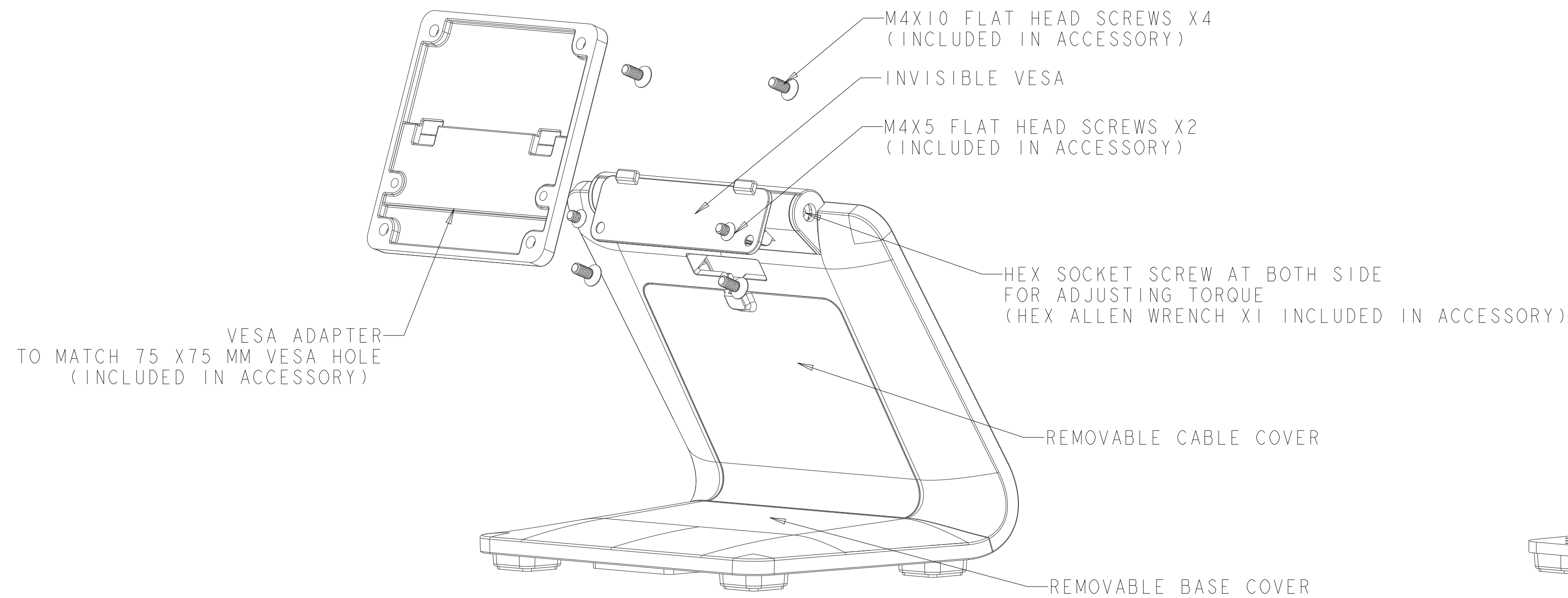
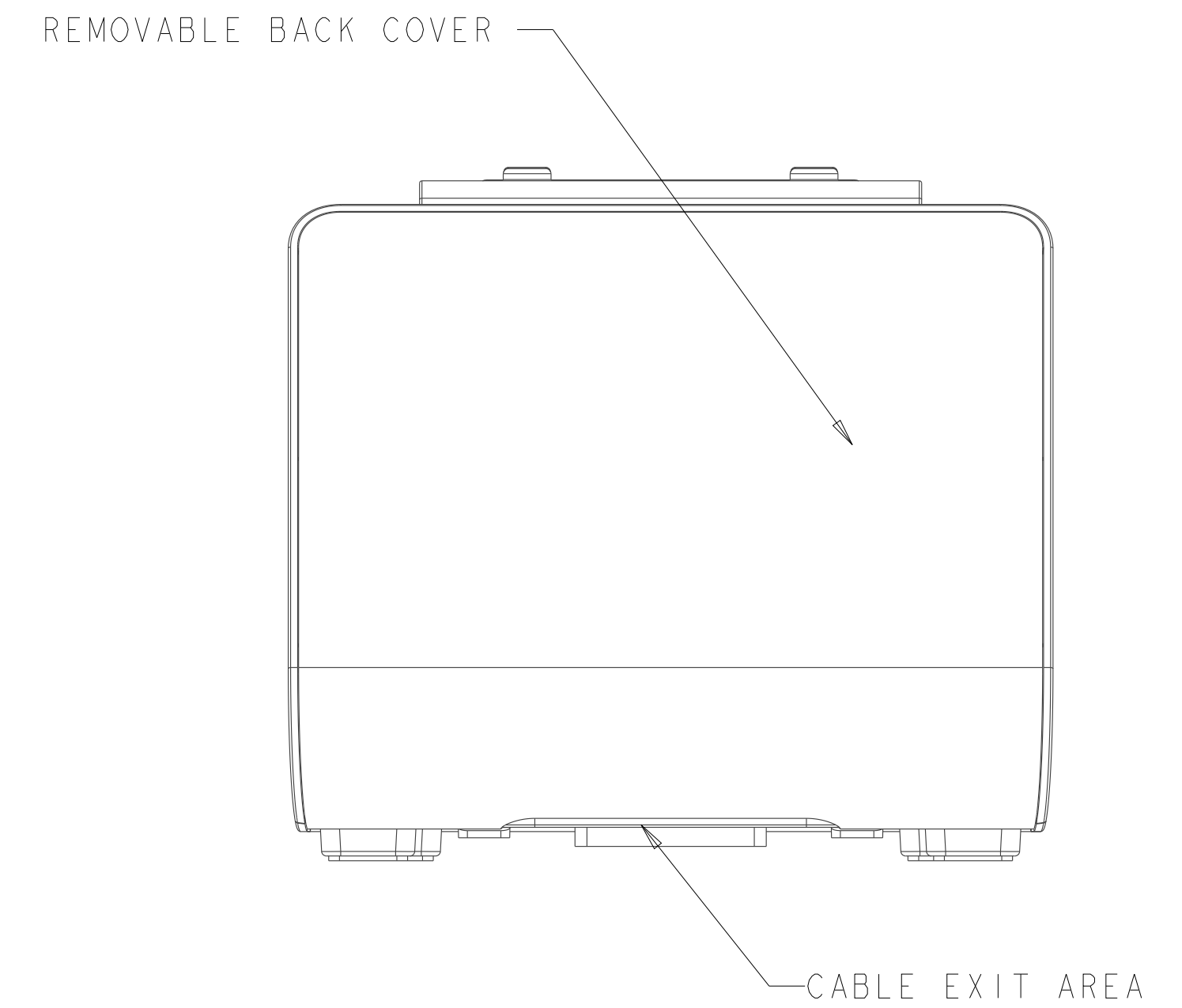
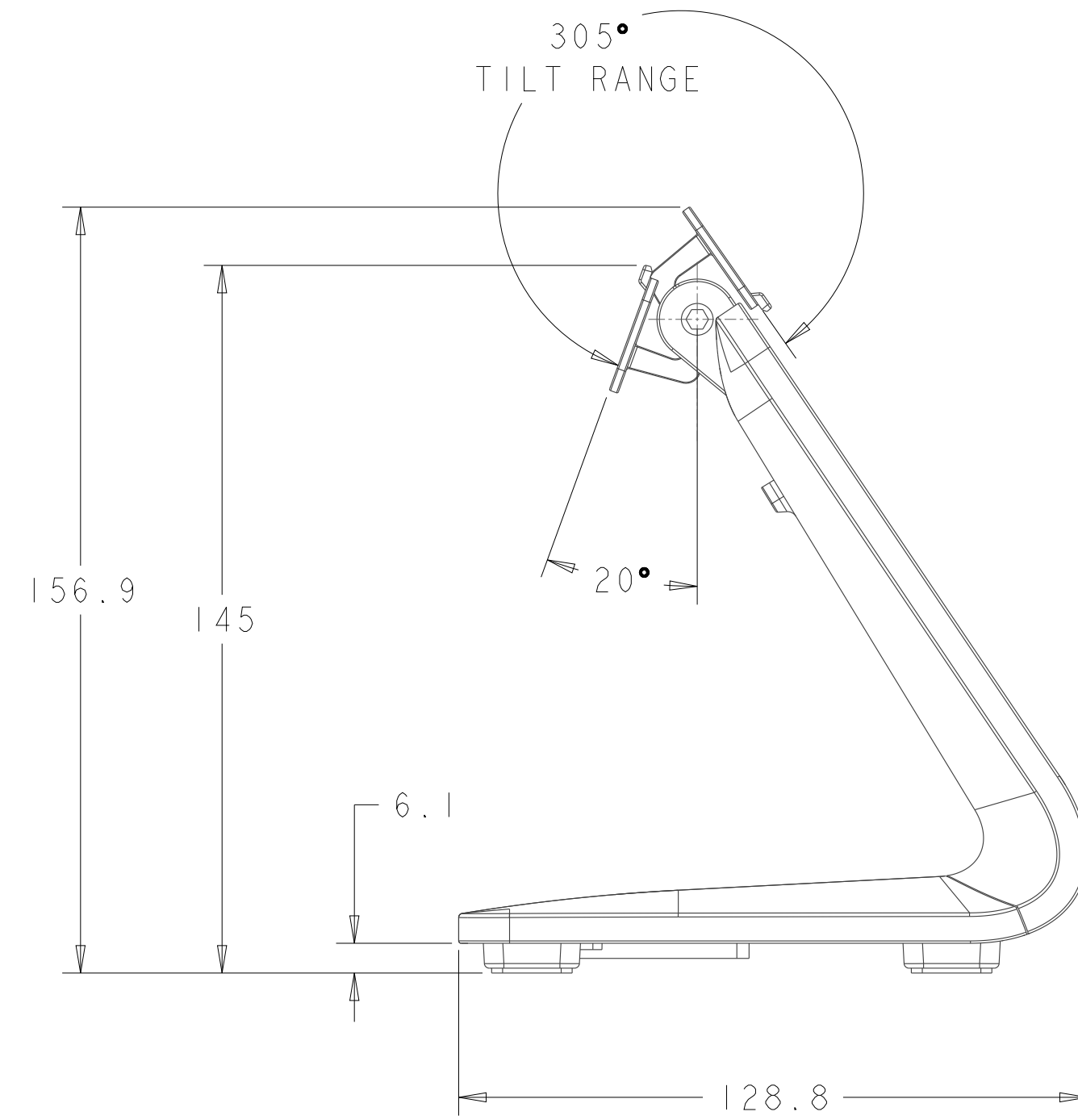
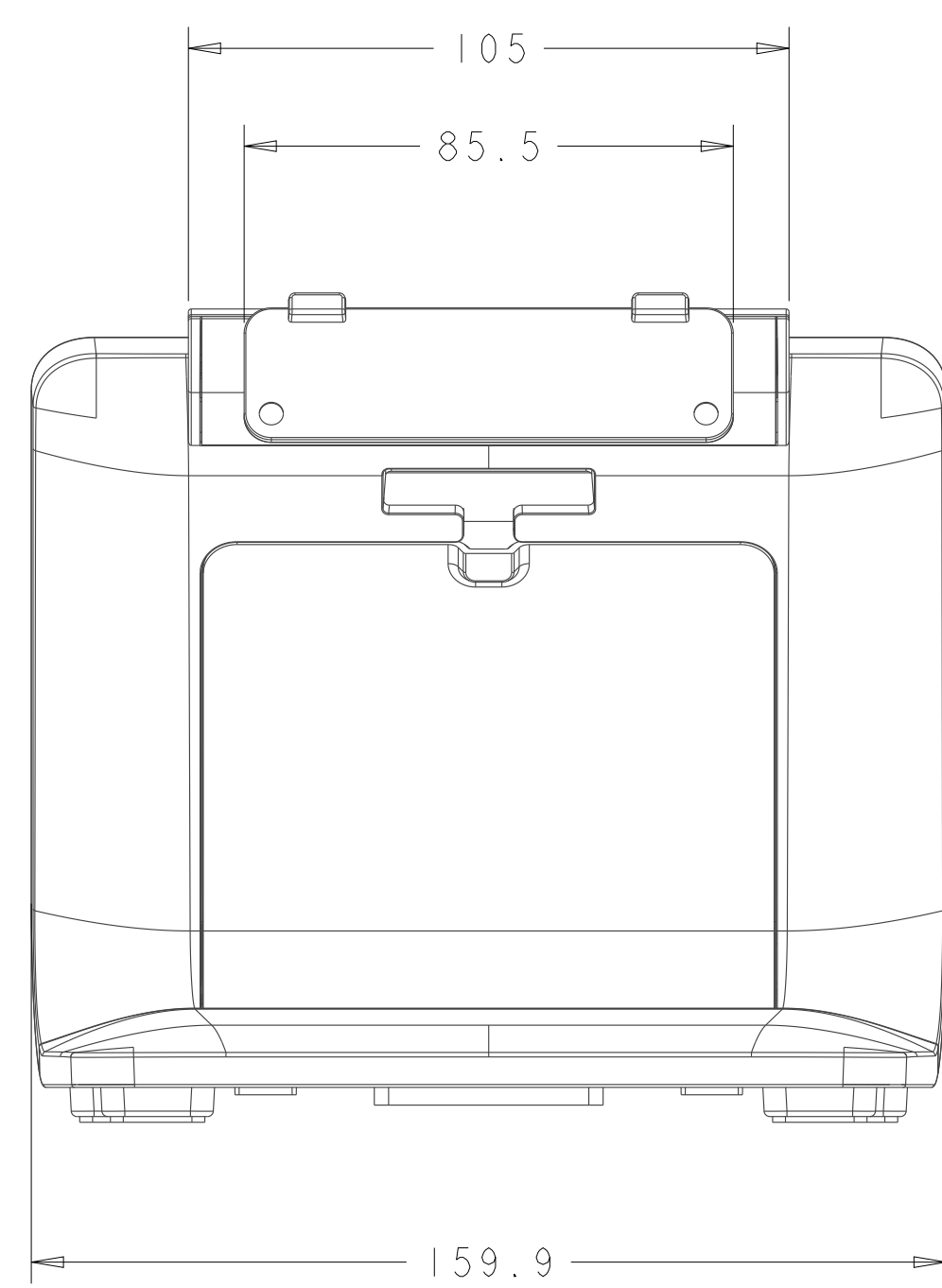
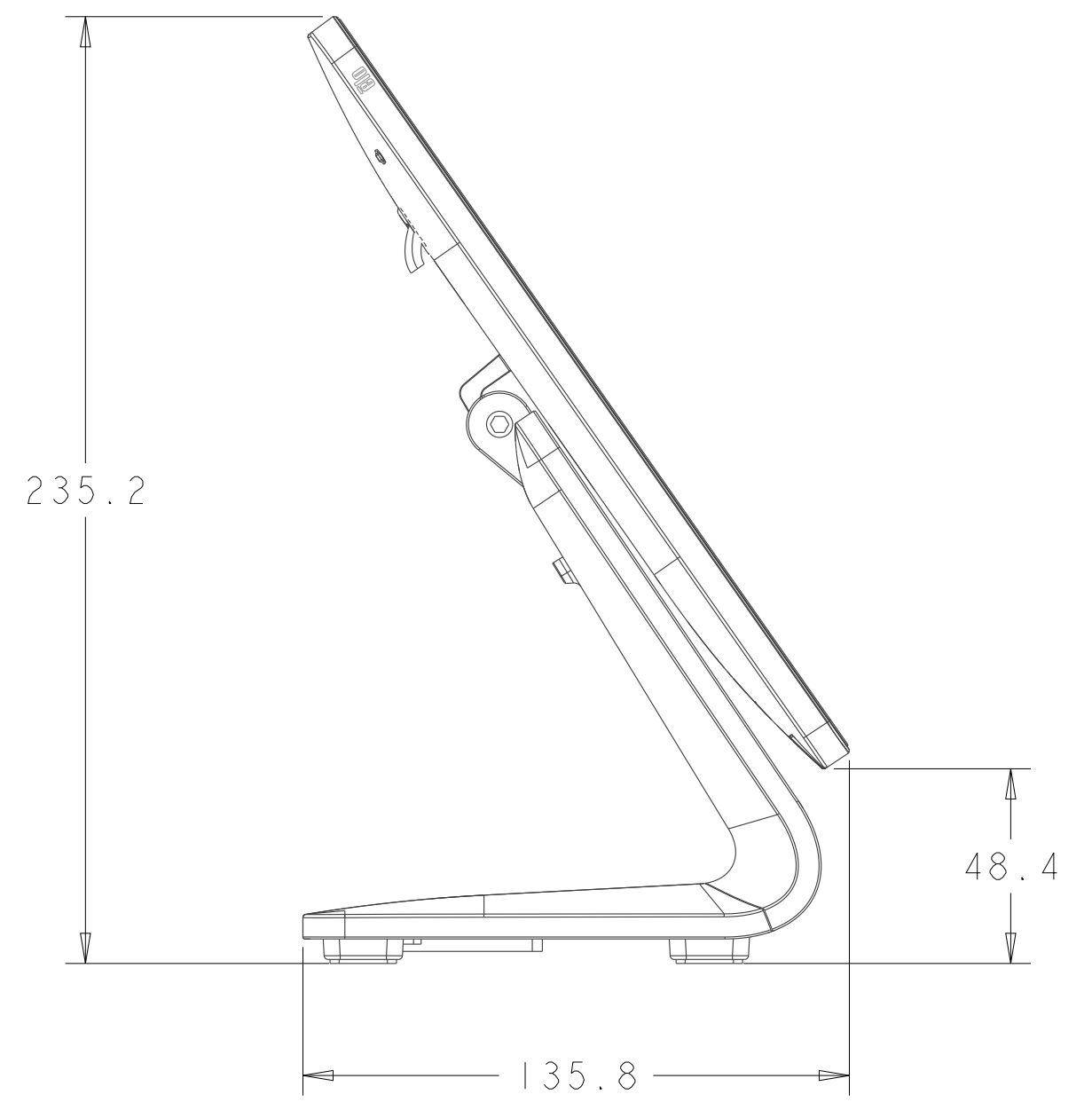
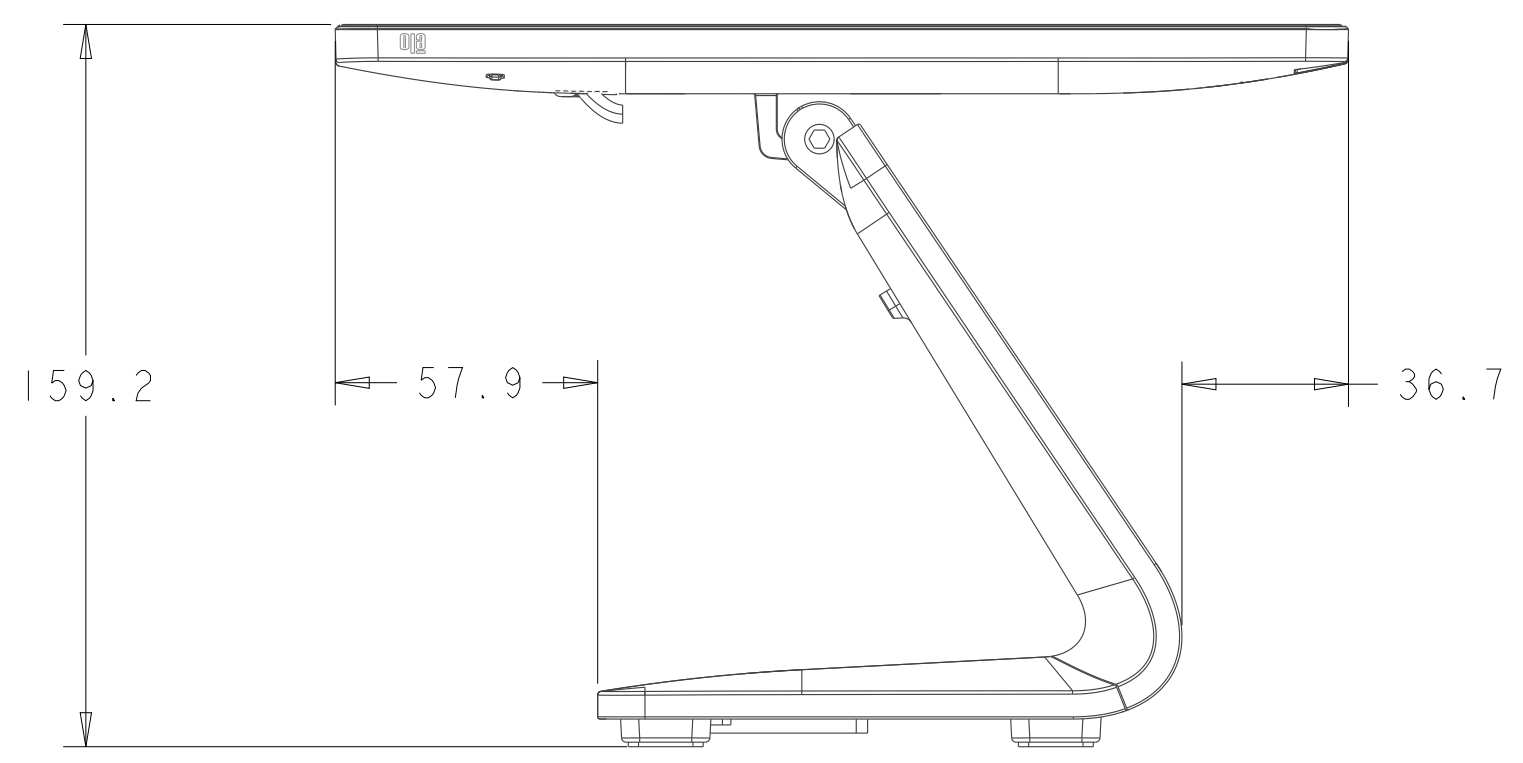
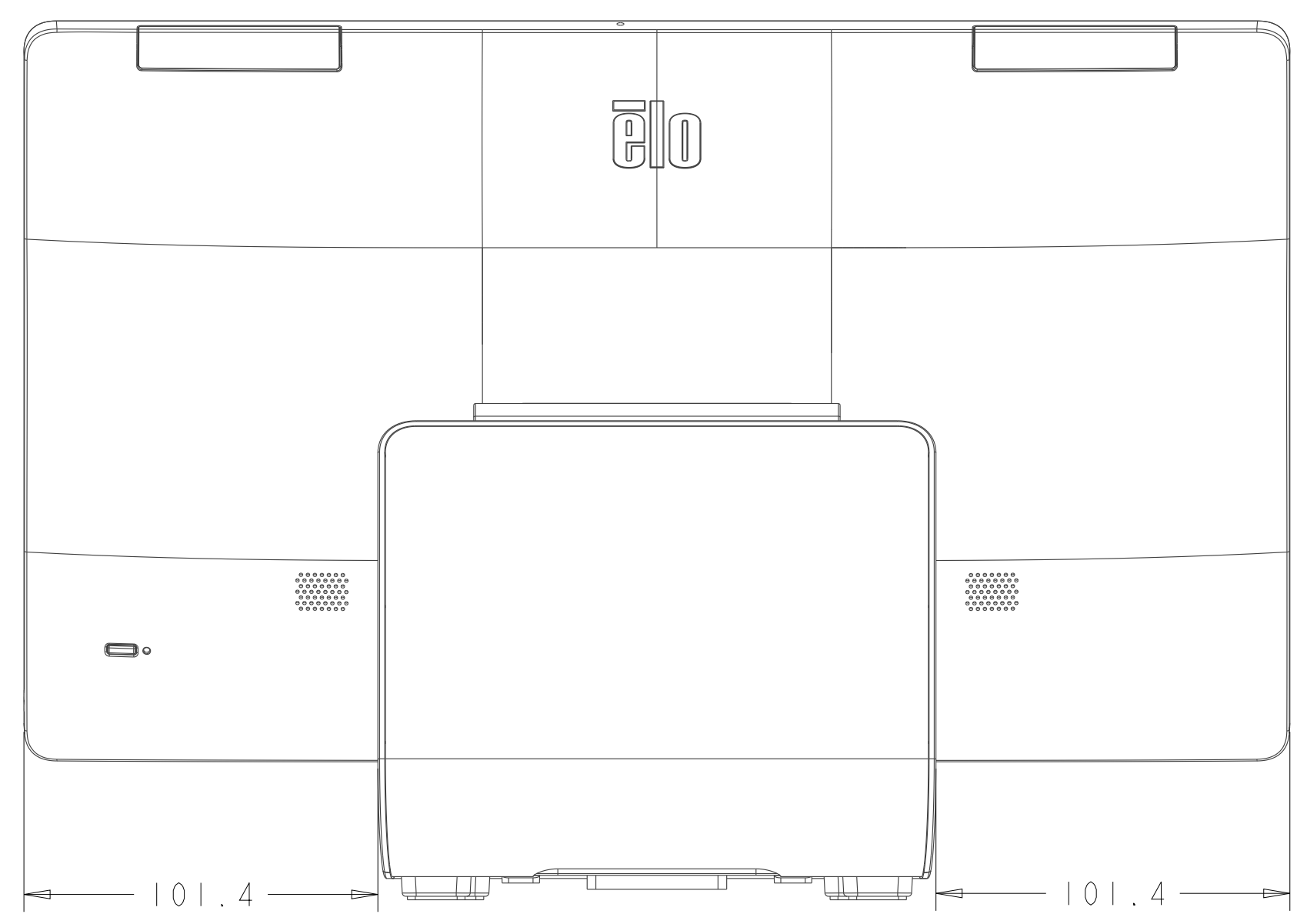
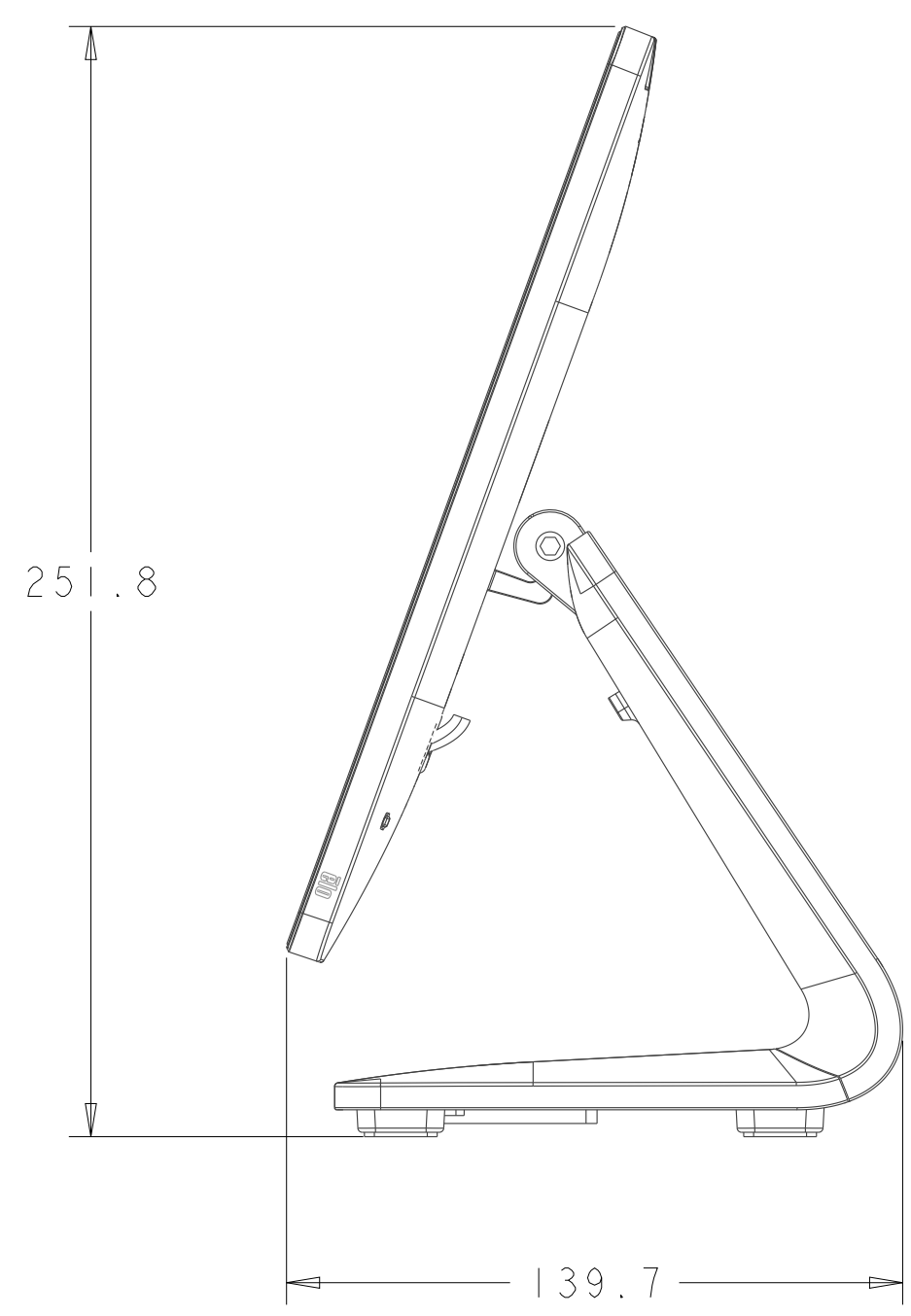
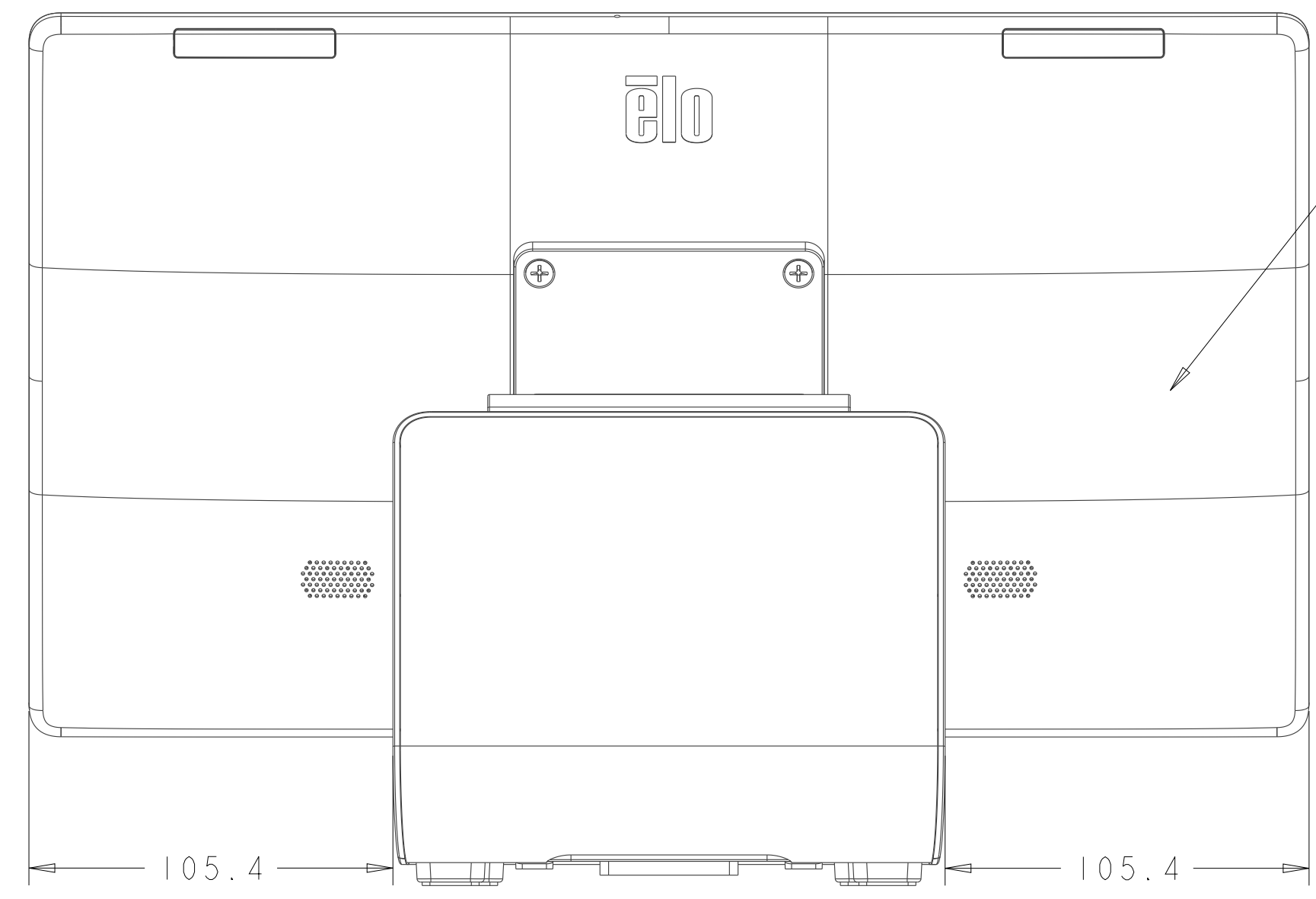
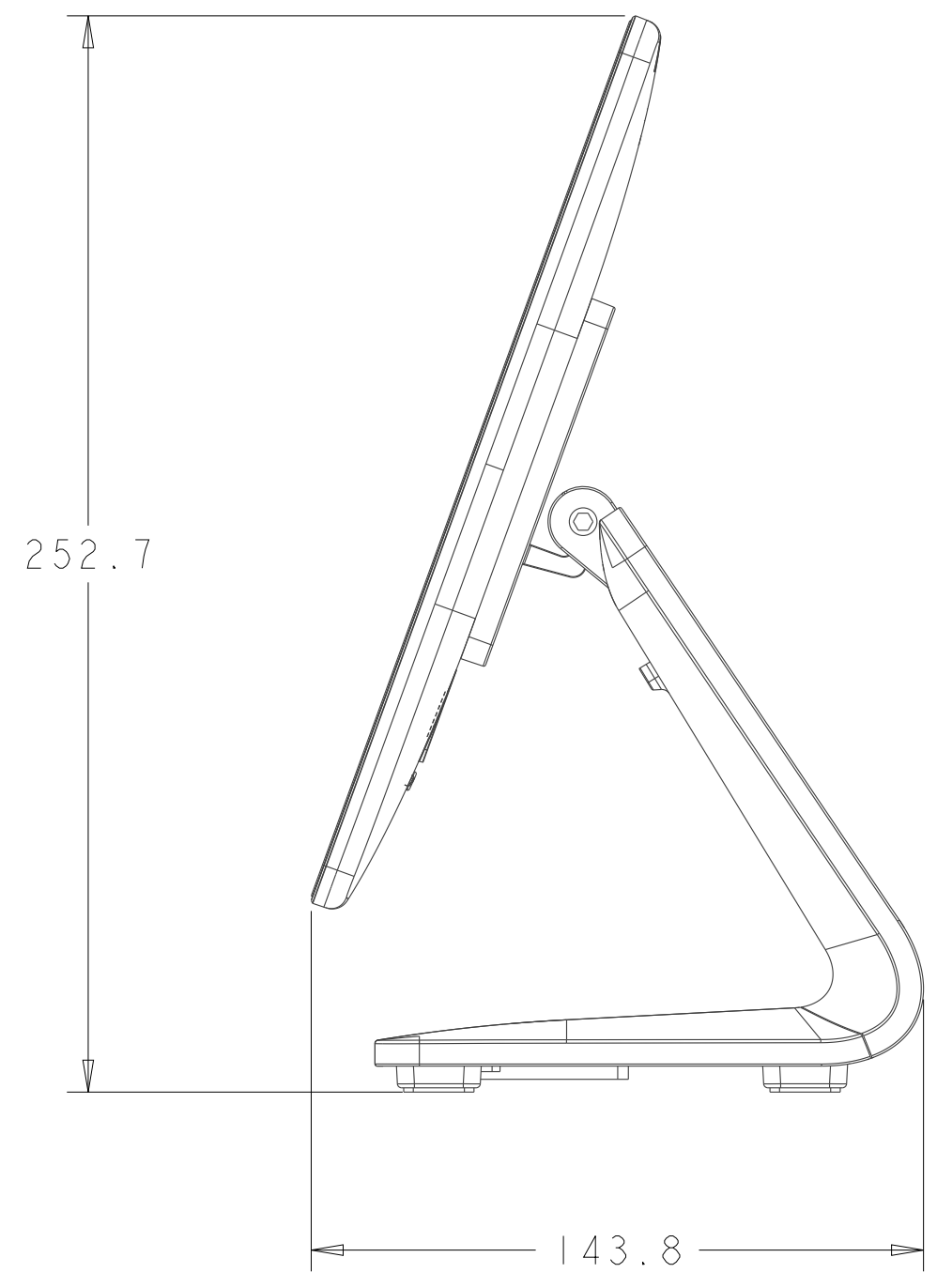


TITLE: Z10 GEN2 POS STAND

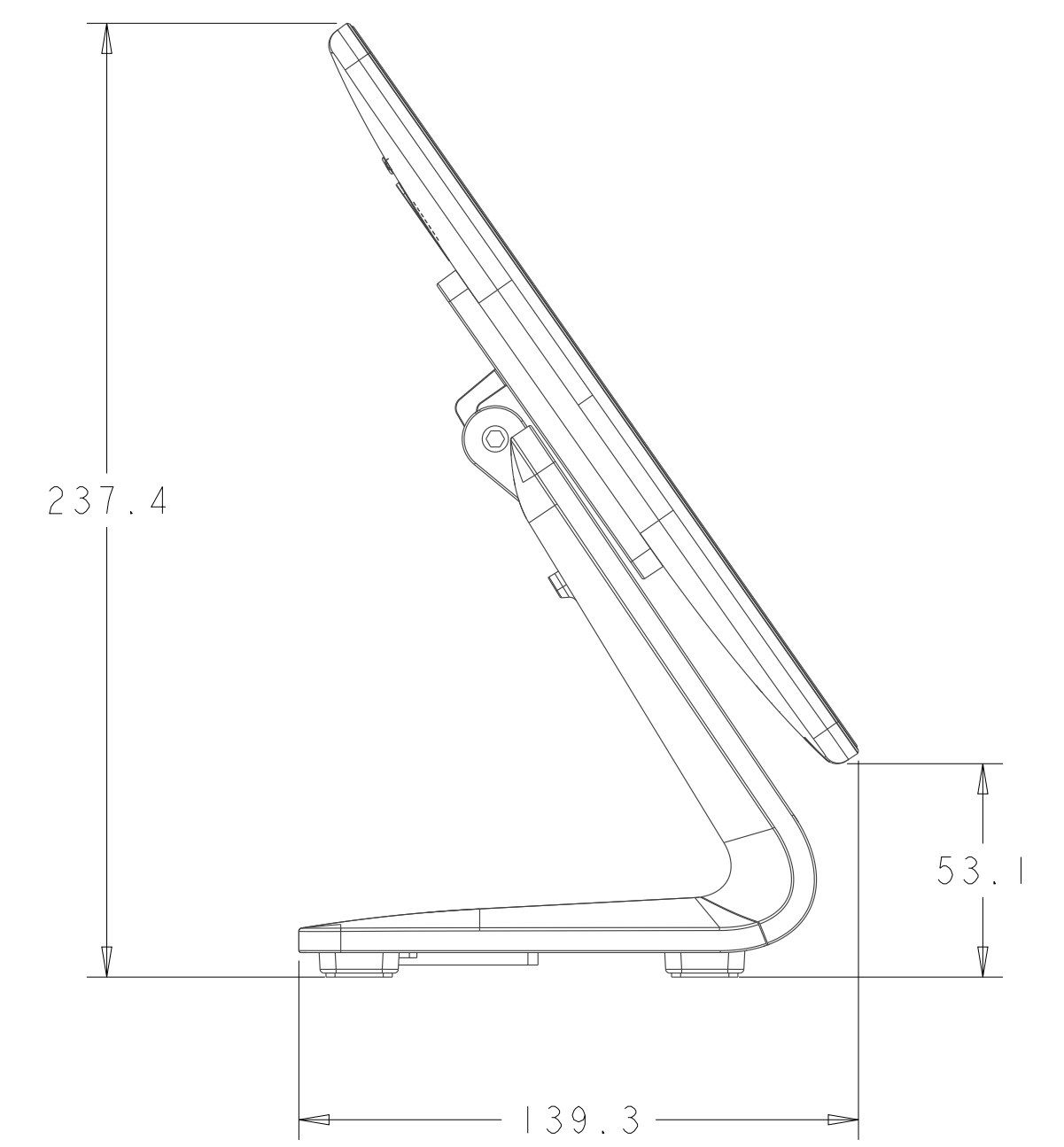
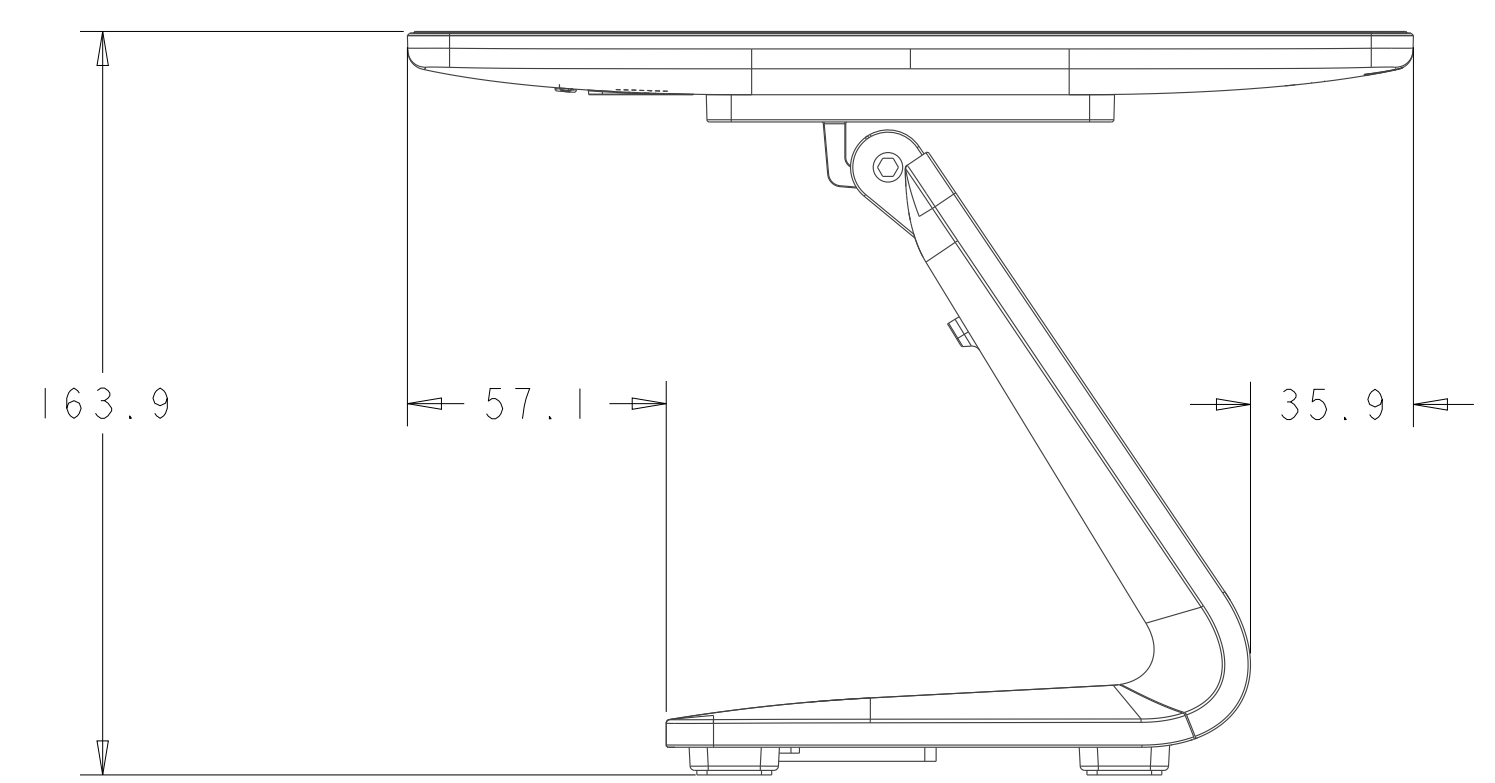




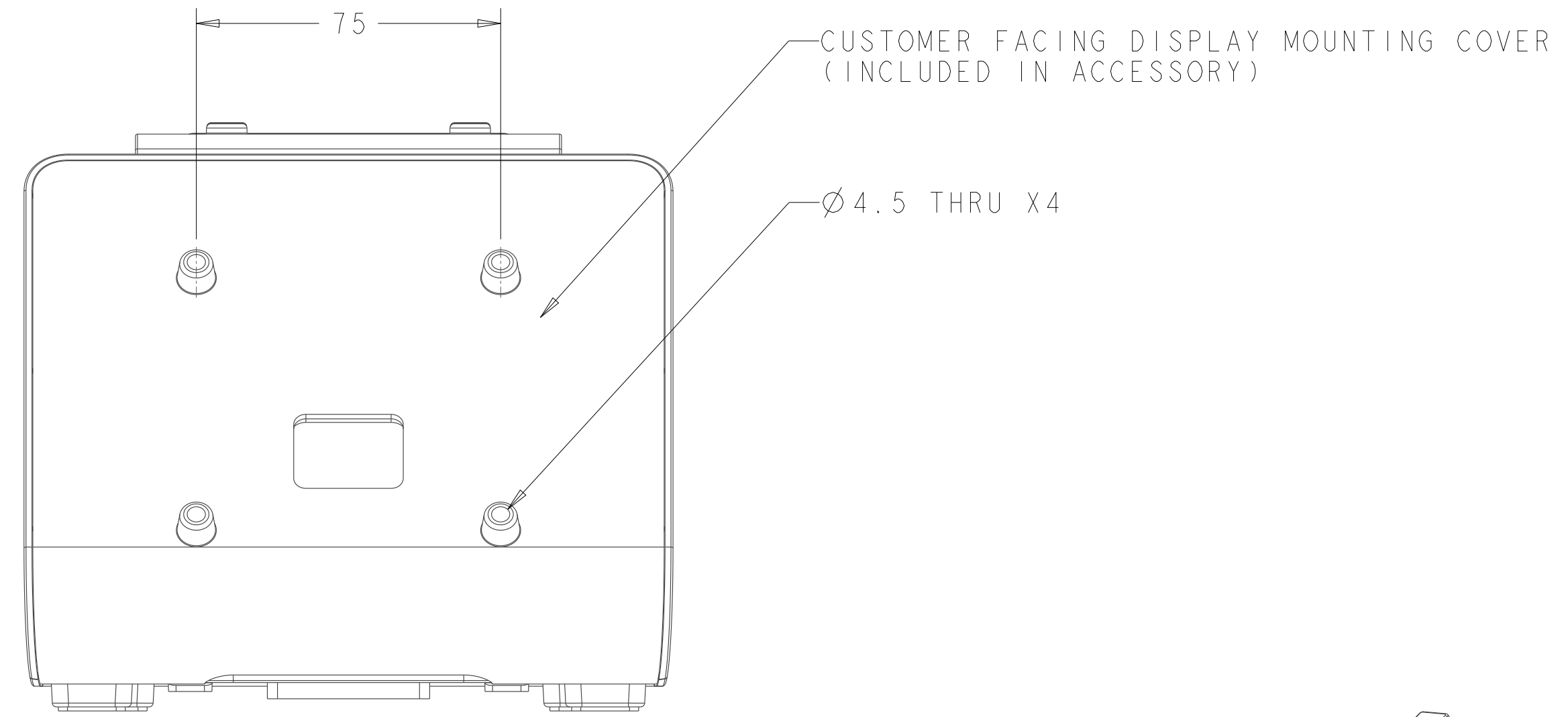
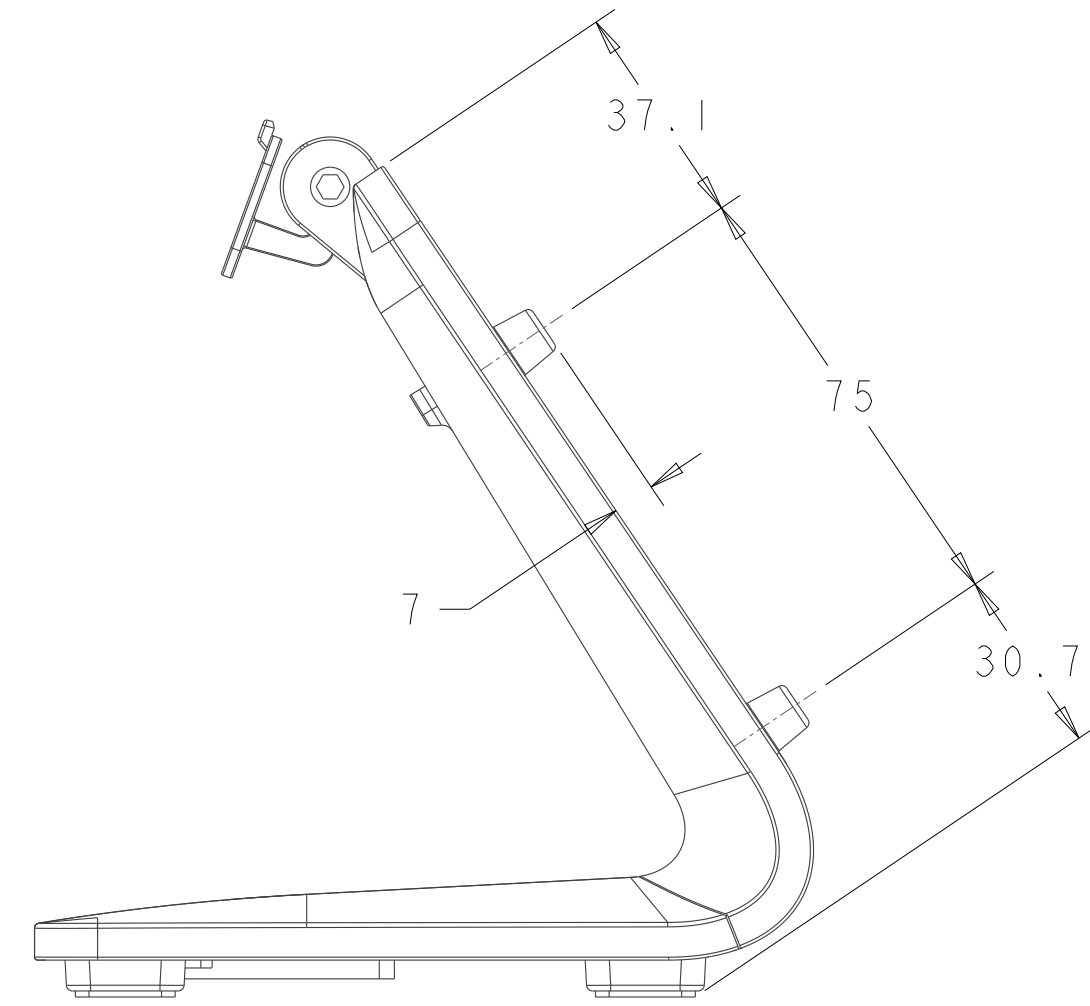
WITH 15" I-SERIES 4 SLATE VALUE DISPLAY



MAIN DISPLAY COMPATIBILITY:
(WITH VESA PLATE)
10" I-SERIES 4 STANDARD/VALUE
15" I-SERIES 4 STANDARD/VALUE
15" I-SERIES 4 SLATE STANDARD/VALUE



CUSTOMER FACING DISPLAY MOUNT INSTALLED



MOUNTING HOLES FOR CUSTOMER FACING DISPLAY X4

M4X18 SCREWS FOR MOUNTING TO CUSTOMER FACING DISPLAY X4
(INCLUDED IN ACCESSORY)

