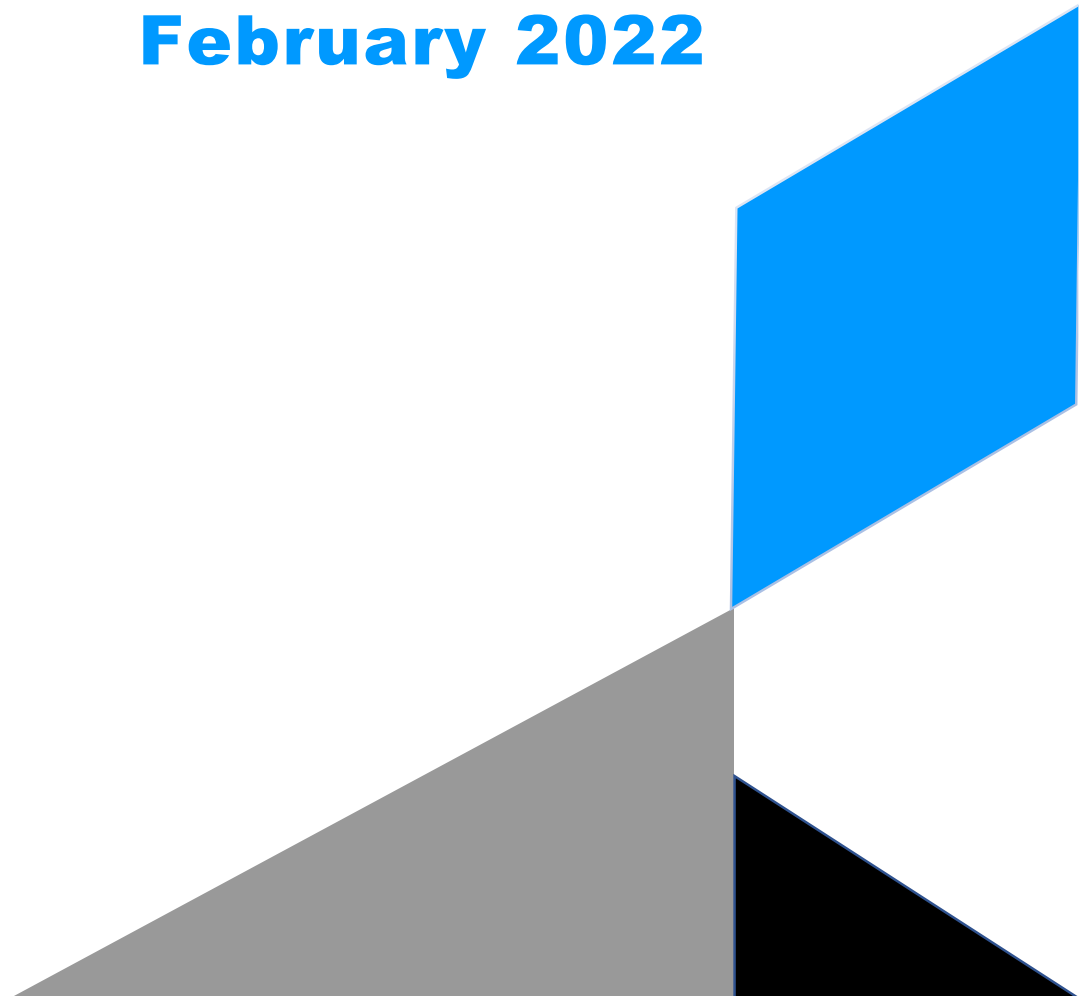




EMEA Supplies
ZipShip Catalogue
February 2022



ZipShip Price List Index

Samples

Healthcare

Industrial - Direct Thermal Media

Z-Perform 1000D

Z-Select 2000D

Packing Slip Solution - Z-Slip

Industrial - Thermal Transfer Media

Z-Perform 1000T

Z-Select 2000T

8000T All Temp

Z-Perform 1000T 190 Tag

PolyE 3100T Gloss

PolyO 3100T

PolyPro 3000T Gloss

Z-Ultimate 3000T White

Z-Ultimate 3000T Silver

8000T Cryocool

8100T Z-Destruct PE

8000T Void Matte

8000T Secondary Blood Bag

8000T Extra Tuff 180 Tag

Desktop - Direct Thermal Media

Z-Perform 1000D

Z-Select 2000D

Z-Select 2000D Removable

Z-Perform 1000D 80 Receipt

Z-Select 2000D 190 Tag

8000D Jewelry

8000D Linerless

Desktop - Thermal Transfer Media

Z-Perform 1000T

Z-Select 2000T

PolyE 3100T Gloss

PolyPro 3000T Clear

PolyPro 3000T Gloss

Z-Ultimate 3000T White

Z-Ultimate 3000T Silver

8000T Primary Blood Bag

8000T Secondary Blood Bag

8000T Cryocool

8000T Lab Resist

Mobile Printers

Receipts for EZ printers

Receipts for MZ printers

Receipts for RW printers

Receipts for ZQ110 printer

Media for ZQ300 Series printers

Labels for P4T/ RP4T printers

Media for QL / ZQ600 Series printers

Media for ZQ500 Series printers

Kiosk Printer

Receipts for Kiosk printers

ZipShip Kits

Industrial & Desktop Kits

Wristbands

Healthcare Wristbands

Rolls **** OR ****Cartridges

Hospitality Wristbands

Rolls **** OR ****Cartridges

EaziPrice Price List Index

EP Zebra Engine

EP Industrial

EP Desktop

Ribbons

Sample Ribbons

Industrial Ribbons

1600 Economy Wax

2300 European Wax

2100 High Performance Wax

5319 Performance Wax

3400 High Performance Wax/Resin

3200 Premium Wax/Resin

4800 Performance Resin

5095 High Performance Resin

5100 Premium Resin

Image Lock Resin (for 8000T Lab Resist & Z-Xtreme 5000T labels)

Desktop Printers

Cartridges for ZD420 Printer

4" printers - 2300, 3300, 3200, 5095

2" printers - 2300 Wax, 3200 Wax/Resin, 5095 Resin

Image Lock Resin

(for 8000T Lab Resist & Z-Xtreme 5000T labels)

Ribbons for P4T/RP4T printer

900m Ribbons

2300 European Wax

300m Ribbons

Ribbons for ZT printers

Ribbons for GT800 & ZD printers

Ribbons for GT800 & ZD printers

Coloured Ribbons

Coloured Ribbons

ChemResist Ribbons

Industrial / Desktop Ribbons

Zebra Sample Media

Rolls supplied on 76mm cores

	Part Number	Material Name	Size W x H (mm)	Labels Per Roll
Industrial Samples (76mm Core)	SAMPLE33674	8000D Ultra-Cool	76.2 x 76.2	100
	SAMPLE30739	8000T Ultra-Cool	76.2 x 76.2	100
	SAMPLE33625*	8000D Blockout	101.6 x 76.2	100
	SAMPLE17757*	8000T 7 Year Vinyl	101.6 x 76.2	100
	SAMPLE5024	8000T All-Temp	101.6 x 76.2	100
	SAMPLE5311	Z-Select 2000D	101.6 x 76.2	100
	SAMPLE66680	8000T Cryocool	50.8 x 25.4	100
	SAMPLE5076	8000T ESD Gloss	41.3 x 6.35	100
	SAMPLE68605*	8000T Extra Tuff 180 Tag	76.2 x 101.6	80
	SAMPLE5207*	Z-Perform 1000T Removable	101.6 x 76.2	100
	SAMPLE5302*	8000T Semi-Gloss	101.6 x 76.2	100
	SAMPLE68054*	8000T Semi-Gloss Blockout	101.6 x 76.2	100
	SAMPLE65123*	8000T Semi-Gloss Deep Freeze	101.6 x 76.2	100
	SAMPLE65137	8000T Semi-Gloss Piggyback	59 x 147	66
	SAMPLE5413*	8000T Semi-Gloss Removable	101.6 x 76.2	100
	SAMPLE5662*	8000T Silver Checkerboard	76.2 x 76.2	100
	SAMPLE5025*	8000T Tuff 190 Tag	76.2 x 101.6	80
	SAMPLE5156	8000T Tyre-Tack	78 x 200	50
	SAMPLE5158	8000T Tyre-Tack Extra	78 x 200	50
	SAMPLE5384*	8000T Ultra High-Tack Matte	76.2 x 76.2	100
	SAMPLE5146*	8000T Ultra-Removable	101.6 x 76.2	100
	SAMPLE5021*	8000T Ultra-Tuff 240 Tag	76.2 x 152.4	66
	SAMPLE5145*	8000T Void Matte	76.2 x 76.2	100
	SAMPLE24324*	8100T Z-Destruct PE	76.2 x 76.2	100
	SAMPLE65138*	8000T Z-Destruct Vinyl	76.2 x 76.2	100
	SAMPLE5827*	8000T Z-Endure™	76.2 x 76.2	100
	SAM68300-1	IQ Color 2000D	101.6 x 50.8	50
	SAMPLE22700*	PolyE 3100T Gloss	101.6 x 76.2	100
	SAMPLE65444*	PolyE 3000T Matte	101.6 x 76.2	100
	SAMPLE65337*	PolyE 4000T Matte High-Tack	101.6 x 76.2	100
	SAMPLE5151*	PolyO 3100T	101.6 x 76.2	100
	SAMPLE5154*	PolyO 3100T Removable	101.6 x 76.2	100
	SAMPLE65036^*	PolyPro 3000T Clear	50.8 x 95.25	100
	SAMPLE65666*	PolyPro 3000T Gloss	101.6 x 76.2	100
	SAMPLE66687*	PolyPro 3000T Gloss High-Tack	101.6 x 76.2	100
	SAMPLE65644*	PolyPro 4000D	101.6 x 76.2	100
	SAMPLE66772*	PolyPro 4000D Removable	101.6 x 76.2	100
	SAMPLE5127*	PolyPro 4000T 216 Tag	82.55 x 127	80
	SAMPLE5172*	Z-Band 4000	25.4 x 279.4	40
	SAMPLE30820*	Z-Perform 1000D	101.6 x 76.2	100
	SAMPLE30818*	Z-Perform 1000D 110 Tag	82.55 x 127	80
	SAMPLE30822*	Z-Perform 1000D Deep-Freeze	101.6 x 76.2	100
	SAMPLE33624*	Z-Perform 1000D High-Tack	101.6 x 76.2	100
	SAMPLE30821*	Z-Perform 1000D Removable	101.6 x 76.2	100
	SAMPLE5147*	Z-Perform 1000T	101.6 x 76.2	100
SAMPLE33637*	Z-Perform 1000T 150 Tag	82.55 x 127	60	
SAMPLE33640*	Z-Perform 1000T 190 Tag	82.55 x 127	60	
SAMPLE33638*	Z-Perform 1000T High Tack	101.6 x 76.2	100	
25mm Core	SAMPLE27359*	8000T Lab Resist	22 x 18	250
	SAMPLE66782*	Z-Select 2000D 145 Tag	82.55 x 127	60
	SAMPLE5222*	Z-Select 2000D 190 Tag	82.55 x 127	60
	SAMPLE5246	8000T Primary Blood Bag	105 x 105	250

*Perforation between labels

	Part Number	Material Name	Size W x H (mm)	Labels Per Roll
Industrial Samples (Cont)	SAMPLE5648*	Z-Select 2000D Removable	101.6 x 76.2	100
	SAMPLE5257*	Z-Select 2000T	101.6 x 76.2	100
	SAMPLE5408*	Z-Select 2000T Removable	101.6 x 76.2	100
	SAMPLE5159	Z-Supreme™ 3100T White	41.3 x 6.35	200
	SAMPLE5392	Z-Supreme 4000T White	41.3 x 6.35	200
	SAMPLE665652	Z-Supreme 4000T White ESD	38.1 x 6.35	200
	SAMPLE68551	Z-Supreme 4200T Yellow	38.1 x 6.35	200
	SAMPLE5061**	Z-Ultimate 3000T Clear	50.8 x 95.25	100
	SAMPLE65344*	Z-Ultimate 3000T High-Tack	76.2 x 76.2	100
	SAMPLE5040*	Z-Ultimate 3000T Removable	76.2 x 76.2	100
	SAMPLE68540*	Z-Ultimate 3000T Silver	76.2 x 76.2	100
	SAMPLE5164*	Z-Ultimate 3000T White	76.2 x 76.2	100
	SAMPLE5229-1*	Z-Ultimate 3000T Yellow	76.2 x 76.2	100
	SAMPLE66547*	Z-Ultimate 4000T 175 Tag	92 x 134.9	80
	SAMPLE5434*	Z-Xtreme 4000T Silver High-Tack	76.2 x 76.2	100
	SAMPLE5433*	Z-Xtreme 4000T White	76.2 x 76.2	100
	SAMPLE5432*	Z-Xtreme 4000T White High-Tack	76.2 x 76.2	100
	SAMPLE66507*	Z-Xtreme 5000T Silver	76.2 x 76.2	100
SAMPLE66506*	Z-Xtreme 5000T White	76.2 x 76.2	100	
Desktop (25mm Core)	SAMPLE5300*	8000T Secondary Blood Bag	101.6 x 101.6	100
	SAMPLE22700-D*	PolyE 3100T Gloss	101.6 x 76.2	100
	SAMPLE66593*	Z-Band Direct	25 x 279	50
	SAMPLE66507-D*	Z-Xtreme 5000T Silver	76.2 X 76.2	100
	SAMPLE66506-D*	Z-Xtreme 5000T White	76.2 X 76.2	100
	SAMPLE30820-D*	Z-Perform 1000D	101.6 x 76.2	100
	SAMPLE5147-D*	Z-Perform 1000T	101.6 x 76.2	100
	SAMPLE5311-D*	Z-Select 2000D	101.6 x 76.2	100
Black Mark	SAMPLE66782-D*	Z-Select 2000D 145 Tag	80 x 39.69	100
Desktop (25mm Core)	SAMPLE5648-D*	Z-Select 2000D Removable	101.6 x 76.2	100
	SAMPLE5257-D*	Z-Select 2000T	101.6 x 76.2	100
	SAMPLE68540-D*	Z-Ultimate 3000T Silver	76.2 X 76.2	100
	SAMPLE5164-D*	Z-Ultimate 3000T White	76.2 X 76.2	100
	SAMPLE33622-K	Z-Perform 1000D 60 Receipt	80mm x 20 Metres	
	SAMPLE26213-K	Z-Perform 1000D 80 Receipt		
	SAMPLE66893-K	Z-Select 2000D 60 Receipt		
SAMPLE66894-K	Z-Select 2000D 80 Receipt			

*Perforation between labels

All free sample rolls, maximum 5 rolls per item per order

8000D Synthetic Receipt
Rolls Supplied on 19mm core

Part Number	Size W x H (mm)	Length	Rolls/box	Approx weight/box (kg)
SAMPLE24325-T	75.4 x continuous	11.18 metres	25	2

Rolls supplied with 'I ♥ Zebra Supplies' back print and black mark on face every 152.4mm

Healthcare

[Return to Index](#)

8000T Primary Bloodbag - A matte white polyethelene Featuring a permanent rubber adhesive which has ISO 3826 approval for direct labelling on to blood bags

Part Number	Size W x H (mm)	Labels/Roll	Rolls/box	Approx weight/ box (kg)	Recommended Ribbon Part Number	Printer
3013623	105 x 105	543	4	4.9	03200GS11007	Desktop

8000T Secondary Bloodbag - A matte, white, topcoated polypropylene with permanent, acrylic based adhesive. This material is only suitable as a secondary label to be applied to the manufacturer's label on the blood bag. It is not approved for direct application onto a blood bag.

Part Number	Size W x H (mm)	Labels/Roll	Rolls/box	Approx weight/ box (kg)	Recommended Ribbon Part Number	Printer
3008426	102 x 102	490	4	4.2	03200GS1107	Desktop

8000T Cryocool - A white thermal transfer polypropylene label with a high performance permanent acrylic based adhesive the adhesive offers resistance to temperatures as low as -196°C. Designed specifically for cryogenic applications in medical laboratories and hospitals

Part Number	Size W x H (mm)	Labels/Roll	Rolls/box	Approx weight/ box (kg)	Recommended Ribbon Part Number	Printer
3009674	30 x 15	4,430	3	0.4	05095GS06407	Desktop
3007562	38 x 13	4,860	2	1.0		
3007810	51 x 25	2,700	2	1.2		

8000T Lab Resist - A specific solution designed to resist the harshest chemicals and solvents such as Xylene and Acetone. It is both tear and water resistant. Ideal for labelling of slides for use in staining protocols.

Part Number	Size W x H (mm)	Labels/Roll	Rolls/box	Approx weight/ box (kg)	Recommended Ribbon Part Number	Printer
3013781	22 x 18	3,269	3	0.9	74941	Desktop

Z-Perform 1000D - A direct thermal uncoated paper label with permanent acrylic adhesive. Designed for optimal balance of performance and price. Ideal for Pharmacy labelling

Part Number	Size W x H (mm)	Labels/Roll	Rolls/box	Approx weight/ box (kg)	Recommended Ribbon Part Number	Printer
880181-031D	70 x 32	2,100	12	10.5	No Ribbon Req	Desktop

[Return to Index](#)

Z-Select 2000D - A direct thermal, white, premium top-coated, ultra smooth paper label with a permanent rubber based adhesive, ideal for use in low temperature applications.

Ideal for hospital bedside sample labelling

Part Number	Size W x H (mm)	Labels/Roll	Rolls/box	Approx weight/ box (kg)	Recommended Ribbon Part Number	Printer
3003059	50.8 x 50.8	185	20	1.8	No Ribbon Req	Mobile

PolyPro 4000D - A white, matte, direct thermal polypropylene label that produces high quality black barcodes and human readable fonts with Zebra printers. The product is supplied with a high performance acrylic adhesive.

Part Number	Size W x H (mm)	Labels/Roll	Rolls/box	Approx weight/ box (kg)	Recommended Ribbon Part Number	Printer
3003347	50.8 x 25.4	340	20	1.9	No Ribbon Req	Mobile

Healthcare Wristbands

Material	Part Number	Size W x H (mm)	Order unit	Rolls per Kit /box	Bands/ roll	Approx weight/ box (kg)	Printer
Z-Band Newborn	10035439K	19 x 195	Kit	6	260	2.2	ZD510-HC
Z-Band Ultrasoft	10015355K	25 x 279	Kit	6	175	2.80	ZD510-HC
Z-Band Direct	10006995K	25 x 279	Kit	6	200	1.85	ZD510-HC

Material	Part Number	Size W x H (mm)	Order unit	Rolls/box	Bands/ roll	Approx weight/ box (kg)	Printer
Z-Band Direct (Red)	10004443-1# red stripes	25 x 279 Adult size	Roll	6	200	2.2	Desktop

Material	Part Number	Size W x H (mm)	Order unit	Rolls/box	Bands/ roll	Approx weight/ box (kg)	Printer
Z-Band Fusion	FID-ADULT-L3- 1-200T	Adult size (Print area 70 x 22)	Roll	5	200	3	Desktop

Industrial/Print Engines



ZM400	170Xi4
ZT510	
ZM600	220Xi4
ZT610	
105SL	ZT220
ZT620	
105SL PLUS	ZT230
ZT420	
110Xi4	ZT410
140Xi4	
	ZT411
	ZT421



**Core Size: 76mm / 3" Outside
Diameter: 200mm / 8" Unless
specified otherwise**



**I ♥ Zebra
ZipShipSM**

Core Size: 76mm / 3" Outside Diameter: 200mm / 8" unless specified otherwise

Material	Part Number	Size W x H (mm)	Labels/Roll	Rolls/box	Approx weight/box (kg)	Recommended Ribbon Part Number
Z-Perform 1000D	3004996	51 x 25	5,860	10	12.4	No Ribbon Required
	3004861-T	51 x 32	4,790	10	12.4	
	3006307-T	57 x 32	4,470	8	10.5	
	3006308-T	70 x 32	4,470	8	12.3	
	880738-025	76 x 25	5,180	6	9.7	
	3005807*	76 x 51	3,100	6	9.9	
	3006255*	76 x 152	1,000	6	9.7	
	3006777-T	100 x 50	3,000	4	9.3	
	3006306-T	100 x 150	1,020	4	9.3	
	3005093	100 x 210	810	4	9.7	
	3002908	102 x 38	4,050	4	9.7	
	3002654	102 x 64	2,510	4	9.7	
	3007253-T	102 x 76	2,110	4	9.7	
	880746-101	102 x 102	1,432	4	9.7	
	87809	102 x 152	950	4	9.5	
	3007096-T*	102 x 152	950	4	9.5	
	3007419-T	102 x 165	990	4	9.7	
3003245-1	148 x 210	790	4	13.9		
3005103*	148 x 210	790	4	13.9		
Z-Select 2000D	880150-025	38 x 25	5,180	10	9.1	No Ribbon Required
	880154-025	51 x 25	5,180	10	11.4	
	880156-101	57 x 102	1,432	8	11.4	
	800740-155*	102 x 38	4,225	4	11.4	
	880170-076	102 x 76	1,890	4	10.1	
	880170-101	102 x 102	1,432	4	10.1	
	200963	102 x 152	950	4	9.9	
	800740-605*	102 x 152	1,142	4	12.0	
Z-Perform 1000T	880004-025	32 x 25	5,180	12	8.6	02300BK04045
	3006929-T	37 x 67	2,190	10	9.3	
	880006-025	38 x 25	5,180	10	9.0	
	3004416	39 x 25	5,000	10	9.0	
	3002866	48 x 35	4,490	10	13.1	02300BK04045
	76171	51 x 25	5,180	10	11.3	
	880010-031	51 x 32	4,240	10	11.3	
	880010-050	51 x 51	2,740	10	11.3	
	76173	57 x 32	4,240	8	10.4	

* perforation between labels

Core Size: 76mm / 3" Outside Diameter: 200mm / 8" unless specified otherwise

Material	Part Number	Size W x H (mm)	Labels/Roll	Rolls/box	Approx weight/box (kg)	Recommended Ribbon Part Number
Z-Perform 1000T (continued)	3004486	64 x 51	3,090	8	13.5	02300BK08345
	86186	65 x 25	5,000	8	11.2	
	76174	70 x 32	4,240	8	13.0	
	3005869*	74 x 210	800	6	10.7	
	880018-038	76 x 38	3,634	6	10.9	
	76175	76 x 51	2,740	6	10.9	
	76522	76 x 76	1,890	6	10.9	
	3005220	76 x 102	1,690	6	12.8	
	880018-127	76 x 127	1,152	6	11.1	
	880020-050	83 x 51	2,740	6	11.4	
	76178	89 x 25	5,180	6	12.0	02300BK08945
	880022-038	89 x 38	3,634	6	12.2	
	87394	100 x 50	2,820	4	9.6	02300BK10245
	3004645	100 x 100	1,670	4	9.6	
	3005091	100 x 150	1,000	4	9.6	
	880026-038	102 x 38	3,634	4	9.7	
	880026-050	102 x 51	2,740	4	9.6	
	3005676*	102 x 51	2,740	4	9.6	
	76179	102 x 64	2,220	4	9.5	
	880026-076	102 x 76	1,890	4	9.6	
	880026-082	102 x 83	1,750	4	9.6	02300BK10245
	76523	102 x 102	1,432	4	9.7	
	880026-127	102 x 127	1,152	4	9.6	
	76180	102 x 152	950	4	9.6	
	87985*	102 x 152	950	4	9.6	
	76181	102 x 165	880	4	9.6	
	880026-203	102 x 203	726	4	9.5	
	200957	105 x 148	1,127	4	9.8	02300BK11045
	3006417	127 x 64	3,000	4	15.8	02300BK13145
	76524	148 x 210	700	4	13.9	02300BK15645
3001699*	148 x 210	800	4	13.9		
3003632*	152 x 102	1,600	4	14.3		
76186	152 x 216	680	4	14.3		
3002173	210 x 298	500	2	9.8	02300BK22045	

* perforation between labels

[Return to Index](#)

Core Size: 76mm / 3" Outside Diameter: 200mm / 8" unless specified otherwise

Material	Part Number	Size W x H (mm)	Labels/Roll	Rolls/box	Approx weight/box (kg)	Recommended Ribbon Part Number
Z-Select 2000T	880114-019	38 x 19	6,742	10	9.0	02300BK04045
	880114-025	38 x 25	5,180	10	9.0	
	76051	51 x 25	5,180	10	11.8	02300BK06045
	880118-031	51 x 32	4,240	10	12.6	
	3006323*	57 x 19	7,995	4	6.3	
	3006324*	57 x 32	5,087	4	6.4	
	880122-025	64 x 25	5,180	8	11.6	02300BK08345
	76054	70 x 32	4,240	8	13.1	
	76055	76 x 51	2,740	6	10.8	
	800630-205*	76 x 51	3,292	4	8.6	
	76527	76 x 76	1,890	6	11.0	
	76056	83 x 140	1,040	6	12.0	
	76058	89 x 25	5,180	6	12.0	02300BK08945
	880134-038	102 x 38	3,634	4	10.0	02300BK10245
	3006325*	102 x 38	4,225	4	11.3	
	880134-050	102 x 51	2,740	4	9.9	02300BK10245
	76059	102 x 64	2,220	4	9.6	
	3006326*	102 x 76	2,238	4	11.4	
	76528	102 x 102	1,432	4	9.6	
880134-127	102 x 127	1,152	4	9.6		
76060	102 x 152	950	4	9.5		
800640-605*	102 x 152	1,142	4	11.7		
880134-203	102 x 203	726	4	9.5		
76089	148 x 210	700	4	14.6	02300BK15645	
8000T All-Temp	66125	51 x 25	5,180	10	12.0	02100BK06045
	66087	70 x 32	4,240	8	13.4	02100BK08345
	66126	76 x 51	2,740	6	11.2	
	66090	102 x 64	2,220	4	9.8	02100BK10245
	3005778-T	102 x 76	2,000	4	9.9	
	66088	102 x 152	950	4	10.0	
	66131	102 x 165	880	4	10.0	
76018	152 x 216	680	4	15.2	02100BK15645	
Z-Perform 1000T 190 Tag	200807*	83 x 127	1,000	4	8.0	02300BK08945
	76642*	86 x 54	2,477	4	8.6	
	3004410*#	148 x 210	750	4	17.7	02300BK15645

* perforation between labels

[Return to Index](#)

Core Size: 76mm / 3" Outside Diameter: 200mm / 8" unless specified otherwise

Material	Part Number	Size W x H (mm)	Labels/Roll	Rolls/box	Approx weight/box (kg)	Recommended Ribbon Part Number	
PolyE 3100T Gloss	3011700	51 x 25	5,180	10	14.3	04800BK06045	
	3011701	76 x 25	5,180	6	12.6	04800BK08045	
	3011702	102 x 51	2,590	4	10.5	04800BK10245	
	3011703	102 x 76	1,890	4	11.3		
	3011711	102 x 102	1,432	4	11.3		
		3011713	102 x 152	950	4	11.1	
		3011714	148 x 210	650	4	15	04800BK15645
PolyO 3100T	3009050	102 x 152	950	4	11.3	03200BK10245	
	3008835	102 x 76	1,890	4	11.4		
	3009051	152 x 102	1,432	4	15.8	03200BK15645	
PolyPro 3000T Gloss	3012949	51 x 25	6380	2	2.6	04800BK06045	
	3012950	102 x 51	3377	2	5.0	04800BK11045	
	3012403	102 x 152	950	2	4.5		
8000T Secondary Blood Bag	3006622	102 x 102	1,070	2	4.62	03200BK11045	
8000T Cryocool	3008152	30 x 15	9,300	3	2.2	05095BK04045	
	3005982	38 x 13	9449	2	1.8		
	3008207	40 x 25	5,940	2	1.9		
	3004545	51 x 25	5940	2	2.6	05095BK06045	
8100T Z-Destruct PE	3012672	51 x 25	5180	6	6.7		
8000T Void Matte	3006690	51 x 25	2,500	2	4.3	04800BK06045	
8000T Extra Tuff 180 Tag	3006305*	25 x 229	2000	1	2.4	03200BK10245	
Z-Slip	10006703*	111 x 175	580	4	12.2	No Ribbon Required	
	10004425*	168 x 152	660	2	9.5		
Z-Ultimate 3000T White	880328-012	25 x 13	9,449	12	7.0	04800BK04045	
	76534	38 x 13	9,449	10	8.7		
	880332-019	38 x 19	6,742	10	8.8		
	880332-025	38 x 25	5,180	10	8.7		
	880336-012	51 x 13	9,449	10	11.8	04800BK06045	
	76535	51 x 25	5,249	10	11.8		
	76013	51 x 32	4,295	10	11.9		
	76014	70 x 32	4,295	8	13.2	04800BK08045	
	880344-025	76 x 25	5,180	6	10.6		
	76536	76 x 51	2,779	6	11.5		
	76015	76 x 76	1,890	6	11.3		
	3004723	83 x 25	6,360	6	15	04800BK08945	
	880350-025	102 x 25	5,180	4	9.8	04800BK11045	
	880350-050	102 x 51	2,740	4	9.8		
	880350-063	102 x 64	2,220	4	9.8		
880350-101	102 x 102	1,432	4	9.8			
880350-152	102 x 152	950	4	9.8			
880358-101	152 x 102	1,432	4	11			

* perforation between labels

Core Size: 76mm / 3" Outside Diameter: 200mm / 8" unless specified otherwise

Material	Part Number	Size W x H (mm)	Labels/Roll	Rolls/box	Approx weight/box (kg)	Recommended Ribbon Part Number	
Z-Ultimate 3000T Silver	880368-019	38 x 19	6,742	10	10.6	04800BK04045	
	880368-025	38 x 25	5,180	10	10.6		
	880372-025	51 x 25	5,180	10	12.0	04800BK06045	
	880374-019	57 x 19	6,742	8	10.9		
	880374-038	57 x 38	3,634	8	10.9		
	86164	60 x 39	4,543	8	11.5		
	880378-031	70 x 32	4,240	8	12.7	04800BK08045	
	880378-044	70 x 44	3,150	8	12.7		
	880380-025	76 x 25	5,180	6	10.6		
	880380-076	76 x 76	1,890	6	10.6		
	880386-076	102 x 76	1,890	4	9.5	04800BK11045	
	880386-101	102 x 102	1,432	4	9.5		
	Z-Perform 1000T - Print Engine OD - 300mm	3001627	148 x 210	2,100	2	20.1	02300BK15690

* perforation between labels

Desktop



GK420t/d

ZD410

ZD420

GX420t/d

GX430t

ZD500



GC420t/d

TLP2824 Plus

GT800

ZD-510HC

ZD620 t/d

Core Size: 25mm / 1"
Outside Diameter:
127mm / 5"
*(Unless specified
otherwise)*



I ❤️ Zebra
ZipShipSM

Core Size: 25mm / 1" Outside Diameter: 127mm / 5" (Unless specified otherwise)

Material	Part Number	Size W x H (mm)	Labels/Roll	Rolls/box	Approx weight/box (kg)	Recommended Ribbon Part Number
Z-Perform 1000D	880595-025DU	38 x 25	2,580	12	6.0	No Ribbon Required
	880175-031D	51 x 32	2,100	12	7.6	
	880181-031D	70 x 32	2,100	12	10.5	
	880181-038D	70 x 38	1,790	12	10.8	
	800283-205*	76 x 51	1,370	12	10.6	
	880191-038D	102 x 38	1,790	12	14.3	
	880191-076D	102 x 76	930	12	13.9	
	880191-101D	102 x 102	700	12	14.3	
	800284-605*	102 x 152	475	12	14.4	
	3010066-T	102 x 159	440	4	4.7	
	3012883-T*	102 x 178	400	12	14.5	
	3016407-T*	102 x 192	350	12	14.5	
3012884-T*	102 x 203	350	12	14.5		
Z-Select 2000D	3007207*	25 x 76	930	12	3.5	No Ribbon Required
	3007208-T*	31 x 22	2,780	12	4.2	
	800261-105*	32 x 25	2,580	12	4.6	
	880199-025D	51 x 25	2,580	12	7.7	
	800262-075*	57 x 19	3,315	12	7.8	
	800262-125*	57 x 32	2,100	12	7.9	
	800262-205*	57 x 51	1,370	12	8.2	
	3007209-T*	57 x 76	930	12	8.2	
	800262-405*	57 x 102	700	12	8.5	
	800263-105*	76 x 25	2,580	12	10.7	
	800263-205*	76 x 51	1,370	12	11.1	
	87000	100 x 50	1,300	4	4.5	
	800264-105*	102 x 25	2,580	12	14.5	
	800264-155*	102 x 38	1,790	12	14.5	
	800264-255*	102 x 64	1,100	12	14.6	
	800264-305*	102 x 76	930	12	14.7	
	800264-405*	102 x 102	700	12	14.7	
800264-505*	102 x 127	565	12	14.8		
800264-605*	102 x 152	475	12	14.8		
Z-Select 2000D Removable	800261-107*	38 x 25	2580	12	5.6	No Ribbon Required
	800262-127*	57 x 32	2100	12	8.4	
	880239-076D	102 x 76	930	12	11.52	
Z-Perform 1000D 80 Receipt	800420-314	51mm x cont.	100 metres	12	4.8	No Ribbon Required
	800440-314	102mm x cont.	100 metres	12	9.5	
Z-Select 2000D 190 Tag OD 102mm	■800999-005*	32 x 57	600	12	2.4	No Ribbon Required
	◆800999-009*	57 x 35	967	12	4.5	
	800999-020*	102 x 76	450	12	7.9	
8000D Jewelry Supplied with Black Mark between each label	10010064 without flaps	56 x 13	3,510	6	2.6	No Ribbon Required
	10010065 with flaps	56 x 13	3,510	6	2.7	
8000D Linerless EMEA	3015728	105 x cont	100 Metres	8	4.5	No Ribbon Required
8000D Linerless EMEA	3013593	100 x cont	89 Metres	8	4.1	EOL Whilst stocks last

■ supplied with hole

◆ inside wound

*Perforation between labels

Core Size: 25mm / 1" Outside Diameter: 127mm / 5" (Unless specified otherwise)

Material	Part Number	Size W x H (mm)	Labels/Roll	Rolls/box	Approx weight/box (kg)	Recommended Ribbon Part Number	
Z-Perform 1000T	880003-025D	38 x 25	2580	12	5.6	02300GS06407	
	880007-025D	51 x 25	2580	12	7.3		
	880409-031DU	57 x 32	2100	12	8.1		
		3006403-T	70 x 30	2400	12	9.9	02300GS08407
		880013-038D	70 x 38	1790	12	9.9	
		800294-155*	102 x 38	1790	12	13.7	02300GS11007
		880023-063D	102 x 64	1100	12	14.0	
		800294-305*	102 x 76	930	12	14.0	
		87604	102 x 102	662	12	14.1	
800294-605*		102 x 152	475	12	14.2		
Z-Select 2000T	3007200-T*	31 x 22	2,890	12	4.3	02300GS06407	
	800271-105*	32 x 25	2,580	12	4.5		
	3007201-T*	51 x 25	2,580	8	4.8		
	800272-075*	57 x 19	3,315	12	7.7		
	3006318*	57 x 32	2,100	12	7.8		
	3007202-T*	57 x 51	1,370	12	7.8		
	3007203-T*	57 x 76	930	12	7.8		
	3007204-T*	57 x 102	700	12	7.8		
		3007205-T*	70 x 32	2,100	4	3.3	02300GS08407
		800273-105*	76 x 25	2,580	12	10.2	
		800273-205*	76 x 51	1,370	12	10.4	
		800274-105*	102 x 25	2,580	12	14.2	02300GS11007
		3006319*	102 x 38	1,790	12	14.2	
		800274-205*	102 x 51	1,370	12	14.3	
		3007206-T*	102 x 64	1,100	4	4.8	
		3006320*	102 x 76	930	12	14.5	
		3006321*	102 x 102	700	12	14.5	
		800274-505*	102 x 127	565	12	14.5	
		3006322*	102 x 152	475	12	14.6	
Poly E 3100T Gloss		3011715	51 x 25	2,398	12	8.0	
	3011718	102 x 76	800	12	14.3	05095GS11007	
PolyPro 3000T Clear Supplied with Black Mark between each label	3012962	55 x 35	2,100	4	2.7	05095GS06407	
	3004428	75 x 35	1,760	4	3.2	05095GS08407	
PolyPro 3000T Gloss	3011159	51 x 25	2,905	2	1.2	05095GS06407	
	3010793	102 x 51	1,520	4	4.5	05095GS11007	
	3012964	102 x 152	533	4	4.5		
Z-Ultimate 3000T White	3009761	20 x 20	3,760	12	3.6	05095GS06407	
	880243-012D	38 x 13	4,650	12	5.5		
	880247-025D	51 x 25	2,580	12	7.2		
	880247-031D	51 x 32	2,100	4	2.5		
	880249-019D	57 x 19	3,300	12	7.9		
	880249-031D	57 x 32	2,100	12	7.9		
		880253-031D	70 x 32	2,100	12	9.8	05095GS08407
		880255-025D	76 x 25	2,580	12	10.4	
		880255-050D	76 x 51	1,370	12	10.4	
		87443	76 x 76	1,000	12	11.5	
		880261-050D	102 x 51	1,370	12	13.9	
	880261-076D	102 x 76	930	12	13.9	05095GS11007	

*Perforation between labels

Core Size: 25mm / 1" Outside Diameter: 127mm / 5" (Unless specified otherwise)

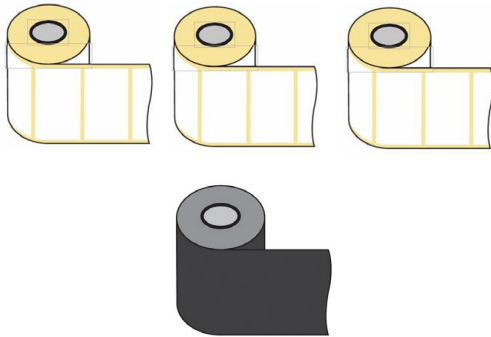
Material	Part Number	Size W x H (mm)	Labels/Roll	Rolls/box	Approx weight/box (kg)	Recommended Ribbon Part Number
Z-Ultimate 3000T Silver	3006493	38 x 19	3,720	12	6.1	05095GS06407
	880269-025D	51 x 25	2,580	12	7.2	
	3006628	70 x 32	2,370	12	10.9	05095GS08407
	880277-076D	76 x 76	930	12	10.1	
	880283-050D	102 x 51	1,370	12	13.6	05095GS11007
8000T Primary Blood Bag	3013623	105 x 105	543	4	4.9	03200GS11007
8000T Secondary Blood Bag	3008426	102 x 102	490	4	4.2	
8000T Cryocool	3009674	30 x 15	4,430	3	0.4	05095GS06407
	3005732	32 x 25	2,700	2	1	
	3007562	38 x 13	4,860	2	1.0	
	3007810	51 x 25	2,700	2	1.2	
8000T Lab Resist	3013781	22 x 18	3,269	3	0.9	74941

* perforation between labels

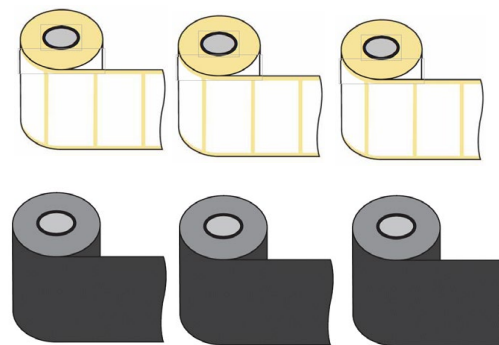
ZipShip kits

The complete labelling solution for a wide range of applications, including address labels, shipping labels, picking / receiving labels, product identification / inventory management/ capital asset labelling

**Industrial Ratio: 3
rolls to 1 Ribbon**



**Desktop Ratio: 3
rolls to 3 Ribbon**



**I ❤️ Zebra
ZipShipSM**

ZipShip Kits

For [Industrial Printers](#)

All label rolls supplied on 76.2mm cores, with roll length of 150 metres, maximum outer diameter 200mm.

Part Number	Economy, uncoated thermal transfer paper labels and wax ribbons	Label Size (mm)	Ribbon Width (mm)
ZIPSHIPKIT-A	3 rolls Z-Perform 1000T labels plus 1 roll 2300 wax ribbon 3 x 880026-076 plus 1 x 02300BK11045 - 1890 labels per roll, 5670 labels per kit	102 x 76 5670 labels per kit	110
ZIPSHIPKIT-B	3 rolls Z-Perform 1000T labels plus 1 roll 2300 wax ribbon 3 x 76523 plus 1 x 02300BK11045 - 1432 labels per roll, 4296 labels per kit	102 x 102 4296 labels per kit	110
ZIPSHIPKIT-C	3 rolls Z-Perform 1000T labels plus 1 roll 2300 wax ribbon 3 x 76180 plus 1 x 02300BK11045 - 950 labels per roll, 2850 labels per kit	102 x 152 2850 labels per kit	110

For 4 inch Thermal Transfer Desktop Printers

All label rolls supplied on 25.4 mm cores, maximum outer diameter 127mm.

Part Number	Premium, top-coated thermal transfer labels and ribbons	Label Size (mm)	Ribbon Width (mm)
ZIPSHIPKIT1	3 rolls Z-Select 2000T labels plus 3 rolls 2300 wax desktop ribbons 3 x 3006320 plus 3 x 02300GS11007 - 930 labels per roll	102 x 76 2790 labels per kit	110
ZIPSHIPKIT2	3 rolls Z-Select 2000T labels plus 3 rolls 2300 wax desktop ribbons 3 x 3006321 plus 3 x 02300GS11007 - 700 labels per roll	102 x 102 2100 labels per kit	110
ZIPSHIPKIT3	3 rolls Z-Select 2000T labels plus 3 rolls 2300 wax desktop ribbons 3 x 3006322 plus 3 x 02300GS11007 - 475 labels per roll	102 x 152 1425 labels per kit	110
ZIPSHIPKIT4	1 roll Z-Ultimate 3000T White labels plus 1 roll 5095 resin desktop ribbon 1 x 880247-025D plus 1 x 05095GS06407,	51 x 25 2580 labels per kit	64
ZIPSHIPKIT5	3 rolls Z-Select 2000T labels plus 3 rolls ZD420 cartridge ribbons 3 x 3006320 plus 3 x 02000CT11007 / 02300CT11007- 860 labels per roll	102 x 76 2790 labels per kit	110
LRDOC-WHITE	3 rolls Z-Select 2000T labels plus 3 rolls 3200 wax/resin desktop ribbons 3 x 3004444 plus 3 x 03200GS08407 - 1760 labels per roll	75 x 35 5280 labels per kit	84
LRDOC-CLEAR	3 rolls PolyPro 3000T Clear labels plus 3 rolls 5095 resin desktop ribbons 3 x 3004428 plus 3 x 05095GS08407 - 1760 labels per roll	75 x 35 5280 labels per kit	84

RECEIPT ONLY MOBILE PRINTERS	Printer	Material	Part Number	Size W x H (mm)	Core Size/ OD	Length	Rolls/box	Approx weight/box (kg)
	EZ320	Z-Perform 1000D 80 Receipt	3012973	80 x cont.	13/40	11.28 metres	25	1.76
	MZ/iMZ	Z-Perform 1000D 60 Receipt	3006130	50 x cont.	19/46	20.3 metres	30	1.8
			3006132	75.4 x cont.	19/46	20.3 metres	30	2.6
		Z-Perform 1000D 80 Receipt	3006129	50 x cont.	19/46	14.6 metres	30	1.8
			3006131	75.4 x cont.	19/46	14.6 metres	30	2.6
		8000D 10 Year Receipt	3007301-T	75 x cont.	19/48	20.1 metres	30	2.6
	RW220	Z-Perform 1000D 80 Receipt	3003061	50 x cont.	19/53	19 metres	20	1.7
	RW420	Z-Perform 1000D 60 Receipt	3004596	101.6 x cont.	19/57	30 metres	16	3.1
		Z-Perform 1000D 80 Receipt	3003072	101.6 x cont.	19/57	24.1 metres	16	3.5
8000D 10 Year Receipt		3006419-T	101.6 x cont.	19/57	31.7 metres	16	3.5	
ZQ110	Z-Perform 1000D 60 Receipt	3010766	57 x cont.	13/31	7.9 metres	50	1.0	

RECEIPT AND LABEL MOBILE PRINTERS	Printer	Material	Part Number	Size W x H (mm)	Core Size/ OD	Length	Rolls/box	Approx weight/box (kg)
	ZQ220	Z-Perform 1000D 60 Receipt	3014861-T	80 x cont	13/50	26.52	30	3.0
	ZQ310	Z-Perform 1000D 60 Receipt	3013689	57.75 x Cont	13/40	15.54 metres	50	2.8
		Z-Perform 1000D 80 Receipt	3013690	57.75 x Cont	13/40	11.28 metres	50	2.8
		Z-Perform 1000D	3013758	54.5 x 38.1	19/40	126	40	2.3
		8000D Linerless Mobile EMEA (Linerless capabilities req)	3013255	58 x cont.	13/40	10 metres	60	4.2
	ZQ320	Z-Perform 1000D 60 Receipt	3013286	79.77 x Cont	13/40	15.54 metres	50	3.8
		Z-Perform 1000D 80 Receipt	3013287	79.77 x Cont	13/40	11.28 metres	50	3.8
		Z-Perform 1000D	3013759	76.2 x 50.8	19/40	96	40	2.6
		8000D Linerless Mobile EMEA (Linerless capabilities req)	3013254	80 x cont.	13/40	10 metres	50	5.1
	QLn220 & ZQ610	Z-Perform 1000D 80 Receipt	3003061	50 x cont.	19/53	19 metres	20	1.7
		Z-Perform 1000D (with black mark)	3008872-T	38.1 x 38.1	19/53	270	20	1.4
			3007842-T	50.8 x 25.4	19/56	430	20	2.0
		Z-Select 2000D (with black mark)	3014816-T*	50.8 x 25.4	19/56	446	20	2.2
			3003060	50.8 x 38.1	19/56	250	20	1.8
			3003059	50.8 x 50.8	19/56	185	20	1.8
		PolyPro 4000D (with black mark)	3003347*	50.8 x 25.4	19/53	340	20	1.9
	3006404-T*		50.8 x 50.8	19/53	200	20	1.9	
	8000D Linerless Mobile US (Linerless capabilities req)	LD-R2LS5W	50.8 x cont.	19/56	19.8 metres	36	7.3	

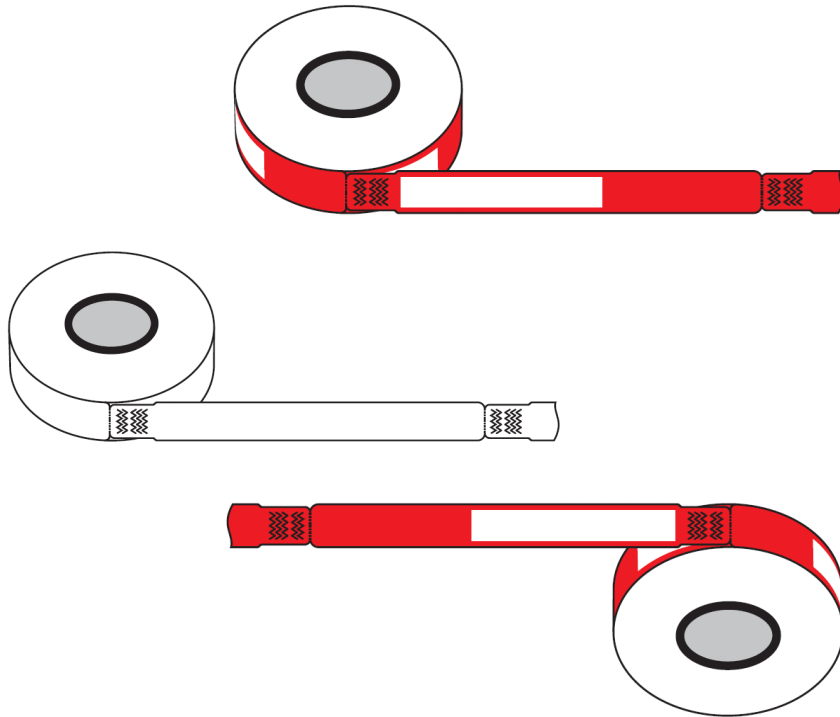
* perforation between labels

	Printer	Material	Part Number	Size W x H (mm)	Core Size/OD	Length	Rolls/box	Approx weight/box (kg)
QLn320 & ZQ620		Z-Perform 1000D 60 Receipt	3007158-T	57.15 x cont.	19/40	12.19 metres	25	1.1
		Z-Perform 1000D 80 Receipt	3007159-T	57.15 x cont.	19/40	8.84 metres	25	1.1
		Z-Perform 1000D 80 Receipt	3003360	76.2mm x cont.	19/63	27.5 metres	20	3.6
		Z-Perform 1000D (with black mark)	3008731-T 3007589-T	76.2 x 50.8 76.2x 101.6	19/66 19/66	300 150	20 20	3.8 3.8
		Z-Select 2000D 35mm core ▲ 19mm core ‡	3003075*‡	76.2 x 44.45	19/63	350	20	4.2
			3002086*▲	76.2 x 101.6	35/66	130	18	3.2
			3002087*▲	76.2 x 76.2	35/66	170	18	3.2
		3003353‡	60 x 50	19/63	300	16	2.7	
		Z-Select 2000D Removable (with black mark)	3004840-T*	76.2 x 44.45	19/66	350	20	4.0
		PolyPro 4000D (with black mark)	3003355*	76.2 x 25.4	19/66	500	16	3.1
	Z-Perform 1000D 110 Tag 35mm core (with black mark)	3003349*	76.2 x 38.1	35/66	400	16	2.1	
RECEIPT AND LABEL MOBILE PRINTERS	QLn420 & ZQ630	Z-Perform 1000D 60 Receipt	3003070	75.4 x cont.	19/55	21.00 metres	20	2.7
		Z-Perform 1000D 80 Receipt	3003072	101.6mm x cont.	19/57	24.1 metres	16	3.5
		Z-Perform 1000D (with black mark)	3008870-T* 3008871-T*	101.6 x 50.8 101.6 x 101.6	19/66 19/66	300 150	16 16	4.0 4.0
		Z-Select 2000D (with black mark)	3005281-T	101.6 x 152.4	19/63	110	16	4.3
			3003076* 3003073*	101.6 x 50.8 101.6 x 76.2	19/63 19/63	300 200	16 16	4.3 4.3
			3003071* 3003074*	101.6 x 101.6 101.6 x 152.4	19/65 19/65	150 105	16 16	4.3 4.4
	8000D Linerless Mobile US (Linerless capabilities req)	LD-R4LF5P	101.6 x cont.	19/65	25.9 metres	20	10.5	
	ZQ510 & ZQ511	Z-Perform 1000D 60 Receipt	3006132	75.4 x cont.	19/46	20.3 metres	30	2.6
		Z-Perform 1000D 80 Receipt	3006131	75.4 x cont.	19/46	14.6 metres	30	2.6
		8000D 10 Year Receipt	3007301-T	75 x cont.	19/48	20.1 metres	30	2.6
		Z-Perform 1000D (with black mark)	3012910-T 3012911-T	50.8 x 25.4 76.2 x 50.8	19/51 19/51	353 187	16 16	1.4 2.0
			8000D Linerless Mobile EMEA (Linerless capabilities req)	3016410	76 x cont.	19/50	19 metres	20
		ZQ520 & ZQ521	Z-Perform 1000D 60 Receipt	3004596	101.6 x cont.	19/57	30 metres	16
	Z-Perform 1000D 80 Receipt		3003072	101.6 x cont.	19/57	24.1 metres	16	3.5
	8000D 10 Year Receipt		3006419-T	101.6 x cont.	19/57	31.7 metres	16	3.5
	Z-Perform 1000D (with black mark)		3012911-T 3012912-T 3012913-T	76.2 x 50.8 101.6 x 50.8 101.6 x 152.4	19/51 19/56 19/56	187 247 85	16 16 16	2.0 3.5 3.5
			Z-Select 2000T (with black mark) 05555BK110D ribbon req	3006291-T* 3006292-T* 3006293-T*	101.6 x 76.2 101.6 x 101.6 101.6 x 152.4	19/66 19/66 19/66	230 180 120	9 9 9
		Z-Ultimate 3000T White (with black mark) 05095BK110D ribbon req		3007453* 3006295* 3006296*	50.8 x 31.75 76.2 x 50.8 101.6 x 50.8	19/66 19/66 19/66	590 380 380	18 18 9

* perforation between labels

Kiosk Printers	Material	Part Number	Width (mm)	Roll Length (metres)	Rolls/box	Approx weight/box (kg)	KR203/403	TTP 2000	TTP 7030	TTP 8000
25mm Core 150mm OD	Z-Select 2000D 60 receipt	01942-058Z	58	250	12	10.1	X	X		
		01942-060Z	60	250	12	10.4	X	X		
		01942-080Z	80	250	12	13.9	X	X	X	
		01942-082Z	82.5	250	4	4.8	X	X		
		01942-112Z	112	250	8	13.0			X	
50mm 150mm OD	Z-Select 2000D 60 receipt	01941-210Z	210	160	2	5.7				X

Wristbands



Printer	Material	Part Number	Size W x H (mm)	Order unit	Cartr./ kit	Bands/ Cartr.	Approx weight/box (kg)
HC100 ZD510-HC CARTRIDGE	Z-Band UltraSoft	10015355K	25 x 279 Adult size	Kit	6	175	2.8
		10015355-RK Red Border	25 x 279 Adult size	Kit	6	175	2.8
		10015355-BK Blue Border	25 x 279 Adult size	Kit	6	175	2.8
		10015355-GK Green Border	25 x 279 Adult size	Kit	6	175	2.8
		10015355-OK Orange Border	25 x 279 Adult size	Kit	6	175	2.8
		10015355-PIK Pink Border	25 x 279 Adult size	Kit	6	175	2.8
		10015355-PUK Purple Border	25 x 279 Adult size	Kit	6	175	2.8
		10015355-YK Yellow Border	25 x 279 Adult size	Kit	6	175	2.8
		10015356K	19 x 279 Adult size	Kit	6	175	2.8
		10015357K	25 x 178 Paediatric size	Kit	6	250	2.8
		10015358K	25 x 152 Baby size	Kit	6	300	2.8
		10015358-PK Pink	25 x 152 Baby size	Kit	6	303	1.25
		10015358-BK Blue	25 x 152 Baby size	Kit	6	303	1.25
		10015359K	19 x 152 Baby size	Kit	6	300	1.25
	Z-Band Direct	10006995K	25 x 279 Adult size	Kit	6	200	1.85
		10006997K	19 x 279 Adult size	Kit	6	200	1.85
		10006995-1K Red pre-print	25 x 279 Adult size	Kit	6	200	1.85
		10006995-2K Blue pre-print	25 x 279 Adult size	Kit	6	200	1.85
		10006995-3K Green pre-print	25 x 279 Adult size	Kit	6	200	1.85
		10006995-4K Purple pre-print	25 x 279 Adult size	Kit	6	200	1.85

Printer	Material	Part Number	Size W x H (mm)	Order unit	Cartr./ kit	Bands/ Cartr.	Approx weight/box (kg)
HC100 ZD510-HC CARTRIDGE	Z-Band Direct (Cont)	10006995-5K Pink pre-print	25 x 279 Adult size	Kit	6	200	1.85
		10006995-6K Orange pre-print	25 x 279 Adult size	Kit	6	200	1.85
		10006995-7K Yellow pre-print	25 x 279 Adult size	Kit	6	200	1.85
		10006995-RK RED border	25 x 279 Adult size	Kit	6	200	1.85
		10006999K	25 x 178 Paediatric size	Kit	6	300	1.25
		10006999-RK RED border	25 x 178 Paediatric size	Kit	6	300	1.25
		10006998K	25 x 152 Baby size	Kit	6	350	2.2
	Z-Band Newborn Soft	10031289K	19 x 195 Neonatal size	Kit	6	260	2.2
	Z-Band Newborn	10035439K	19 x 195 Neonatal Size	Kit	6	260	2.2
	QuickClip	10027730K	30 x 279 Adult size	Kit	4*	240	3.0
		10027729K	25 x 178 Paediatric size	Kit	3**	1,140	3.0

	Part Number	Colour	Order unit	Clips per Bag
Colour Clips	97032-RED	Red	Bag	275
	97032-BLUE	Blue	Bag	275
	97032-GREEN	Green	Bag	275
	97032-YELLOW	Yellow	Bag	275
	97032-PINK	Pink	Bag	275

Desktop	Material	Part Number	Size W x H (mm)	Order unit	Cartr./ kit	Bands/ Cartr.	Approx weight/box (kg)
TLP2824	Z-Band 4000 Kits	ZBAND2	25 x 279 Adult size	Kit	3+3*	795	1.5
G_Series/ ZD/TLP2844, TLP3844,TLP384 2/R2844-Z		ZBAND3	25 x 279 Adult size	Kit	3+3*	795	1.5
Soft Foam, padded Cuff with velcro fastening	ComfyCuff Wristband	LB2-BABY-P	35 x 140 Baby size	Box	Pieces Per Box	100	4.5
Industrial	Material	Part Number	Size W x H (mm)	Labels/Roll	Rolls/box	Approx weight/box (kg)	
76mm core 200mm OD	Polypropylene Direct Thermal	10005007	25 x 279 Adult size	450	6	4.1	

Supplied with perforation and black mark between each wristband Printer requires black marking sensing capability
Rolls are sold in box quantities only

Industrial	Material	Part Number	Size W x H (mm)	Labels/Roll	Rolls/box	Approx weight/box (kg)
76mm core 200mm OD	Polyester Thermal Transfer	ZBAND1 kits	25 x 279 Adult size	1,590	3+1*	2.7

Supplied with perforation and sensing notch between each wristband
*Each kit contains 3 rolls of Z-Band 4000 wristbands (530 bands per roll) plus 1 roll of 5095 resin ribbon, 40mm x 450M

Description	Material	Part Number	Size W x H (mm)	Sheets Per Box	Approx weight/box (kg)
32 paper labels in A4 format	Paper	PLS-103E	68 x 23	1000	

A white paper label with permanent adhesive designed to be printed on laser printers for application onto medical and patient records. The labels are supplied on A4 sheets with 32 individual labels per sheet and features an adhesive-free zone form and edges to prevent printer jams, reducing costly printer maintenance.

Printer	Material	Part Number	Size W x H (mm)	Order unit	Rolls/box	Bands/roll	Approx weight/box (kg)
DESKTOP PRINTERS 25mm CORE 127mm OD	Z-Band Fusion	FID-ADULT- L3-1-200T##	Adult size (Print area 70 x 22)	Box	5	200	3.0
		FID-ADULT-L3-1-200T- RED border and strap	Adult size (Print area 70 x 22)	Box	5	200	3.0
		FID-PED-L3-1-200T##	Paediatric size (Print area 70 x 22)	Box	5	200	3.0
		FID-PED-L3-1-200T- RED border and strap	Paediatric size (Print area 70 x 22)	Box	5	200	3.0
		FID-BABY-L3-1- 200T##	Baby size (Print area 70 x 22)	Box	5	200	2.4
		FID-BABY-L3-1-200T- RED border	Baby size (Print area 70 x 22)	Box	5	200	2.4
	Z-Band UltraSoft	10018856	25 x 279 Adult Size	Roll	6	175	1.15
		10018856-R	25 x 279 Adult Size	Roll	6	175	1.15
		10018857	25 x 178 Paediatric size	Roll	6	250	2.5
		10019015	25 x 152 Baby size	Roll	6	300	2.5
		10031296	19 x 152 Baby size	Rdl	6	300	1.25
	Z-Band Direct	10005008	25 x 279 Adult Size	Roll	6	200	2.2
		10004443-1# red stripes	25 x 279 Adult size	Roll	6	200	2.2
		10003852	25 x 178 Paediatric size	Roll	6	300	2.2
		10003853	25 x 152 Baby size	Roll	6	350	2.2
	Z-Band Direct Lite	10037679	25 x 279	Roll	6	200	2.2
	Z-Band Newborn Soft	10007909 Z-Band Newborn Soft	50 x 178 Neonatal size	Roll	6	275	2.2
	QuickClip	10027728K	30 x 279 Adult size	Kit	6*	1,440	3.0

Supplied with perforation and black mark between each wristband, printer requires black marking sensing capability # Other colours available subject to lead-time and MOQ of 4 boxes. Please enquire for pricing

No black mark - perforation only

New Item

Printer	Material	Part Number	Size W x H (mm)	Labels/Roll	Rolls/box	Bands per roll	Approx weight/box (kg)
DESKTOP PRINTERS 25mm CORE 127mm OD	Z-Band Fun	10012712-1 RED	25 x 254	Roll	4	350	1.8
		10012712-2 YELLOW	25 x 254	Roll	4	350	1.8
		10012712-3 BLUE	25 x 254	Roll	4	350	1.8
		10012712-4 GREEN	25 x 254	Roll	4	350	1.8
		10012712-5 PINK	25 x 254	Roll	4	350	1.8
		10012712-6 ORANGE	25 x 254	Roll	4	350	1.8
		10012712-7 PURPLE	25 x 254	Roll	4	350	1.8
	Z-Band Splash	10012718-1 RED	25 x 254	Roll	4	350	1.8
		10012718-2 YELLOW	25 x 254	Roll	4	350	1.8
		10012718-3 BLUE	25 x 254	Roll	4	350	1.8
		10012718-4 GREEN	25 x 254	Roll	4	350	1.8
		10012718-5 PINK	25 x 254	Roll	4	350	1.8
		10012718-6 ORANGE	25 x 254	Roll	4	350	1.8
		10012718-7 PURPLE	25 x 254	Roll	4	350	1.8

Supplied with perforation between each wristband. Rolls are sold in complete box quantities only

Printer	Material	Part Number	Size W x H (mm)	Order Unit	Cart./box	Bands/Cartr	Approx weight/box (kg)
HC100 ZD510 CARTRIDGE	Z-Band Fun	10012713-1K RED	25 x 254	Kit	6	350	2.7
		10012713-2K YELLOW	25 x 254	Kit	6	350	2.7
		10012713-3K BLUE	25 x 254	Kit	6	350	2.7
		10012713-4K GREEN	25 x 254	Kit	6	350	2.7
		10012713-5K PINK	25 x 254	Kit	6	350	2.7
		10012713-6K ORANGE	25 x 254	Kit	6	350	2.7
		10012713-7K PURPLE	25 x 254	Kit	6	350	2.7
	Z-Band Splash	10012717-1K RED	25 x 254	Kit	6	350	2.7
		10012717-2K YELLOW	25 x 254	Kit	6	350	2.7
		10012717-3K BLUE	25 x 254	Kit	6	350	2.7
		10012717-4K GREEN	25 x 254	Kit	6	350	2.7
		10012717-5K PINK	25 x 254	Kit	6	350	2.7
		10012717-6K ORANGE	25 x 254	Kit	6	350	2.7
		10012717-7K PURPLE	25 x 254	Kit	6	350	2.7

Supplied with perforation between each wristband. Cartridges are sold in complete KIT quantities only

Zebra Sample Ribbon Programme For Industrial Printers

Rolls supplied on 25mm cores

Part Number	Width mm	Length metres	Description	Colour
01600BK11005	110	50	Economy Wax	Black
02300BK11005	110	50	Standard Wax	Black
02100BK11005	110	50	High Performance Wax	Black
05319BK11005	110	50	Performance Wax	Black
03400BK11005	110	50	High Performance Wax/ Resin	Black
03200BK11005	110	50	Premium Wax/Resin	Black
04800BK11005	110	50	Performance Resin	Black
05095BK11005	110	50	High Performance Resin	Black
05100BK11005	110	50	Premium Resin	Black
05319BL11005	110	50	Performance Wax	Blue
05319GD11005	110	50	Performance Wax	Gold
05319RD11005	110	50	Performance Wax	Red
15051	110	50	Premium Resin	White
74918	83	50	Image Lock Resin	Black

All free sample rolls, maximum 5 rolls per item per order

Industrial Ribbons[Return to Index](#)

Rolls supplied on 25mm cores

Recommended Materials	Grade	Part Number	Width mm	Length metres	Rolls Per Box	Weight Per Box kg
Short term uncoated/coated paper labels, tags and receipts	1600 Economy Wax	01600BK06045	60	450	18	3.4
		01600BK08345	83	450	18	4.7
		01600BK11045	110	450	18	6.2
		01600BK13145	131	450	12	7.3
		01600BK15645	156	450	18	8.6
		01600BK22045	220	450	6	8.6
Uncoated/coated paper labels and tags	2300 Performance Wax	02300BK04045	40	450	12	2.3
		02300BK06045	60	450	12	3.4
		02300BK08345	83	450	12	4.7
		02300BK08945	89	450	12	5.0
		02300BK10245	102	450	12	5.7
		02300BK11045	110	450	12	6.2
		02300BK13145	131	450	12	7.3
		02300BK15645	156	450	12	8.6
		02300BK17045	170	450	12	9.4
		02300BK22045	220	450	12	12.1
Uncoated/coated paper labels and tags and many matte synthetics	2100 High-Performance Wax	02100BK04045	40	450	12	2.6
		02100BK06045	60	450	12	4.0
		02100BK08045	80	450	12	5.2
		02100BK08945	89	450	12	5.5
		02100BK10245	102	450	12	6.4
		02100BK10645	106	450	12	6.6
		02100BK11045	110	450	12	7.0
		02100BK13145	131	450	12	8.0
		02100BK15645	156	450	12	10.0
		02100BK17445	174	450	12	11.0
		02100BK22045	220	450	12	13.2
Uncoated/coated paper labels and tags	5319 performance Wax	05319BK08345	83	450	6	3.0
		05319BK08945	89	450	6	3.1
		05319BK10245	102	450	6	3.6
		05319BK11045	110	450	6	3.7

Rolls supplied on 25mm cores

Recommended Materials	Grade	Part Number	Width mm	Length metres	Rolls Per Box	Weight Per Box kg
Short term uncoated/coated paper labels, tags and receipts	3400 High Performance Wax-Resin	03400BK04045	40	450	6	1.5
		03400BK06045	60	450	6	2.1
		03400BK08345	83	450	6	2.8
		03400BK08945	89	450	6	3.0
		03400BK10245	102	450	6	3.6
		03400BK11045	110	450	6	3.7
		03400BK13145	131	450	6	4.3
		03400BK15645	156	450	6	5.7
		03400BK17445	174	450	6	5.8
		03400BK22045	220	450	6	7.0

Matte and gloss standard synthetics and some speciality synthetics	3200 Premium Wax-Resin	03200BK04045	40	450	6	1.5
		03200BK06045	60	450	6	2.1
		03200BK08045	80	450	6	2.8
		03200BK08945	89	450	6	3.0
		03200BK10245	102	450	6	3.6
		03200BK11045	110	450	6	3.7
		03200BK13145	131	450	6	4.3
		03200BK15645	156	450	6	5.7
		03200BK17445	174	450	6	5.8
		03200BK22045	220	450	6	7.0

Most matte and gloss synthetics both standard speciality	4800 Performance Resin	04800BK04045	40	450	12	2.1
		04800BK06045	60	450	12	3.2
		04800BK08045	80	450	12	4.2
		04800BK08945	89	450	12	4.6
		04800BK11045	110	450	12	5.7
		04800BK13145	131	450	12	6.8
		04800BK15645	156	450	12	8.0
		04800BK17445	174	450	12	8.9
		04800BK22045	220	450	12	11.2

Rolls supplied on 25mm cores

Recommended Materials	Grade	Part Number	Width mm	Length metres	Rolls Per Box	Weight Per Box kg
High end synthetics	5095 High-Performance Resin	05095BK04045	40	450	6	1.2
		05095BK06045	60	450	6	1.8
		05095BK08345	83	450	6	2.5
		05095BK08945	89	450	6	2.6
		05095BK11045	110	450	6	3.0
		05095BK13145	131	450	6	3.7
		05095BK15445	154	450	6	4.2
		05095BK17445	174	450	6	4.7
		05095BK22045	220	450	6	6.0

High end synthetics and speciality synthetics	5100 Premium Resin	05100BK04045	40	450	6	1.2
		05100BK06045	60	450	6	1.8
		05100BK08345	83	450	6	2.5
		05100BK08945	89	450	6	2.6
		05100BK11045	110	450	6	3.0

8000T Lab Resist / Z-Xtreme 5000T	Image Lock resin	74776	60	300	6	1.3
		74777	80	300	6	1.5
		74917	110	300	6	2.1

Print Engine Ribbons

Uncoated/coated paper labels and tags	2300 Performance Wax	02300BK11090	110	900	6	6.0
		02300BK15690	156	900	6	8.5
		02300BK17090	170	900	6	9.2

Desktop Ribbons

Rolls supplied on 25mm cores unless stated otherwise with special notches for GT800

Printer Compatibility	Grade	Part Number	Width mm	Length metres	Rolls Per Box	Weight per Box kg
Desktop Printers Excluding - (LP2824 Plus/ ZD420C/ZD410) <i>Ribbons supplied on 12.7mm cores</i>	2300 Performance Wax	02300GS03307	33	74	12	0.5
		02300GS06407	64	74	12	0.8
		02300GS08407	84	74	12	1.0
		02300GS11007	110	74	12	1.2
	3300 High Performance Wax/Resin	03300GS06407	64	74	12	0.8
		03300GS08407	84	74	12	0.9
		03300GS11007	110	74	12	1.1
	3200 Premium Wax/Resin	03200GS06407	64	74	12	0.8
		03200GS08407	84	74	12	1.0
		03200GS11007	110	74	12	1.2
	5095 High Performance Resin	05095GS06407	64	74	12	0.7
		05095GS08407	84	74	12	0.9
		05095GS11007	110	74	12	1.1
	Image Lock Resin	74941	64	74	12	0.7
		74942	84	74	12	0.7
GT800 - with special notches	2300 Performance Wax	02300GT11030	110	300	12	4.1
	3200 Premium Wax/Resin	03200GT11030	110	300	12	2.5
ZD and TLP2746	2300 Performance Wax	02300BK06030	60	300	12	2.3
		02300BK08330	83	300	12	3.1
		02300BK11030	110	300	12	4.1
	3200 Premium Wax/Resin	03200BK06030	60	300	6	1.4
		03200BK08330	83	300	6	1.9
		03200BK11030	110	300	6	2.5
	5095 High Performance Resin	05095BK06030	60	300	6	1.2
		05095BK08330	83	300	6	1.7
		05095BK11030	110	300	6	2.0
TLP 2824/Z	2300 Wax	800132-001	33	74	12	0.4
	2300 Wax	800132-002	56.9	74	12	0.6
	3200 Wax/Resin	800132-101	33	74	12	0.4
	3200 Wax/Resin	800132-102	56.9	74	12	0.6
	5095 Resin	800132-201	33	74	12	0.4
	5095 Resin	800132-202	56.9	74	12	0.6

Coloured Ribbons

Rolls supplied on 25mm cores

Printer Compatability	Part Number	Width mm	Length metres	Colour	Rolls Per Box	Weight Per Box kg
Industrial	05319BL06045	60	450	Blue Wax	24	3.6
	05319BL11045	110	450	Blue Wax	24	6.5
	05319RD06045	60	450	Red Wax	24	3.6
	05319RD11045	110	450	Red Wax	24	6.5
	05319GD11030	110	300	Gold Wax	24	5.6
	74736	60	450	White Resin	6	1.2
	74702	83	450	White Resin	6	2.5
	74912	110	450	White Resin	6	3.0

Other colours are available on request, subject to leadtimes and MOQ

Printer Compatability	Part Number	Width mm	Length metres	Colour	Rolls Per Box	Weight Per Box kg
P4T/RP4T	05555BK110D	110	30	5555 wax/resin	10	1.2
	05095BK110D	110	30	5095 resin	10	1.2

Additional Cores

Printer Compatability	Part Number	Width mm	Description	Rolls Per Box
ZT200 Series	15055	110mm x 25.4 (core size)	Cardboard cores for waste ribbon	10
4' Desktop Printers	15997			10

ChemResist - Premium Resin Ribbon

Printer Compatability	Grade	Part Number	Width mm	Length metres	Rolls Per Box	Weight per Box kg
Desktop	8000 Premium Resin	08000CR11007	110	74	12	1.0
Industrial	8000 Premium Resin	08000CR11030	110	300	6	2.5

Cartridge Ribbons

Printer Compatability	Grade	Part Number	Width mm	Length metres	Rolls Per Box	Weight per Box kg
ZD420 Cartridge Printers	1600 Wax	01600CT11007	110	74	6	1.1
	2300 Wax	02300CT11007	110	74	6	1.1
	3300 Wax-Resin	03300CT11007	110	74	6	1.1
	4800 Resin	04800CT11007	110	74	6	1.1
	Image Lock	74783	110	74	6	1.1

New Item

EAZIPRICE

Materials:

Z-Perform 1000D
Z-Perform 1000D Removable
Z-Perform 1000T
Z-Perform 1000T Removable
Z-Ultimate 3000T White

Suitable for:

Zebra Engines
Industrial
Desktop

Low MOQ / Orderable via ZSP / 7 day manufacturing leadtime -
Made to order / ZipShip discounts apply / 900+ Items
(NOT IN STOCK)

All items supplied in rolls or fanfold packs



Z-Perform 1000D

Core: 76mm / 3" Outside Diameter: 400mm / 15.75" (Unless specified otherwise)

Part Number	Material Name	Size W x H (mm)	Labels per Roll	Special Features	Minimum Order Quantity (Rolls)	Order in Multiples of	Weight / Roll (KG)
3007698	Z-Perform 1000D	71 x 36	10,280		24	4	4.4
3007749	Z-Perform 1000D	100 x 60	6,000		24	6	6.0
3007891	Z-Perform 1000D	102 x 178	2,950		24	6	8.4
3012850-T	Z-Perform 1000D	152 x 97	4,095		24	2	9.9

Z-Perform 1000D Removable

Part Number	Material Name	Size W x H (mm)	Labels per Roll	Special Features	Minimum Order Quantity (Rolls)	Order in Multiples of	Weight / Roll (KG)
3008221	Z-Perform 1000D Removable	102 x 102	3,000		24	6	5.0
3009687-T	Z-Perform 1000D Removable	102 x 148	2,340	This item has a gap between labels of 4.4mm	24	6	5.7

Z-Perform 1000T

Part Number	Material Name	Size W x H (mm)	Labels per Roll	Special Features	Minimum Order Quantity (Rolls)	Order in Multiples of	Weight / Roll (KG)
3006517	Z-Perform 1000T	38 x 25	15,460		24	6	2.6
3006383	Z-Perform 1000T	48 x 30	19,000		24	6	4.7
3005968	Z-Perform 1000T	51 x 25	15,460		24	6	3.5
3003660	Z-Perform 1000T	51 x 38	10,390		24	12	3.5
3006391	Z-Perform 1000T	55 x 26	24,000		24	6	5.8
3002849	Z-Perform 1000T	70 x 49	8,590		24	6	5.0
3002848	Z-Perform 1000T	75 x 105	4,165		24	12	5.3
3005722	Z-Perform 1000T	76 x 152	2,840		24	4	5.2
3004746	Z-Perform 1000T	80 x 125	3,370		24	4	5.2
3005164	Z-Perform 1000T	90 x 30	13,220		24	6	6.1
3005187-1T	Z-Perform 1000T	90 x 70	4,250		24	3	4.3
3005936	Z-Perform 1000T	92 x 54	7,730		24	6	6.2
3007338	Z-Perform 1000T	100 x 47	8,690	4mm gap	24	6	6.8
3005925	Z-Perform 1000T	100 x 150	2,900		24	6	7.0
3005993	Z-Perform 1000T	102 x 70	6,050		24	6	6.8
3006112	Z-Perform 1000T	102 x 152	2,840		24	6	7.0
3009110-T	Z-Perform 1000T	102 x 216	2,020		24	6	6.9
3002574	Z-Perform 1000T	104 x 111	3,400		24	6	6.3
3011146-T	Z-Perform 1000T	105 x 58	7,091		24	6	7.1
3009584-T	Z-Perform 1000T	105 x 74	5,630		24	6	6.9
3005231	Z-Perform 1000T	110 x 40	10,190		24	3	7.5
3009922-T	Z-Perform 1000T	110 x 60	6,800		24	6	7.2
3004064	Z-Perform 1000T	110 x 70	5,860		24	6	7.4
3012797-T	Z-Perform 1000T	124 x 110	2,500		24	2	5.4
3009405	Z-Perform 1000T	127 x 80	7,160		24	2	11.5
3005963-T	Z-Perform 1000T	129 x 195	1,150		24	2	4.5
3009895-T	Z-Perform 1000T	148 x 210	1,120		24	2	5.4
3007469-1T	Z-Perform 1000T	148 x 210	2,500	Wound inside	24	2	12.0

Z-Perform 1000T (continued)

Core: 76mm / 3" Outside Diameter: 400mm / 15.75" (Unless specified otherwise)

Part Number	Material Name	Size W x H (mm)	Labels per Roll	Special Features	Minimum Order Quantity (Rolls)	Order in Multiples of	Weight / Roll (KG)
3008736	Z-Perform 1000T	148 x 315	1,390		24	2	10.2
3006883	Z-Perform 1000T	150 x 74	4,940		24	2	8.7
3011657-T	Z-Perform 1000T	150 x 150	2,997		24	1	10.6
3005967	Z-Perform 1000T	150 x 210	2,080		24	2	10.1
3006882	Z-Perform 1000T	152 x 102	3,630		24	2	8.9
3005969	Z-Perform 1000T	168 x 368	1,190		24	2	11.3
3007463	Z-Perform 1000T	175 x 83	5,150		24	1	12.0

Z-Perform 1000T Removable

Part Number	Material Name	Size W x H (mm)	Labels per Roll	Special Features	Minimum Order Quantity (Rolls)	Order in Multiples of	Weight / Roll (KG)
3013918-T	Z-Perform 1000T Removable	51 x 25	16,109		24	3	3.9
3012918-T	Z-Perform 1000T Removable	124 x 110	4,103		24	2	9.1
3004559	Z-Perform 1000T Removable	148 x 210	1,940		24	2	9.7

Z-Perform 1000D

Core: 76mm / 3" Outside Diameter: 200mm / 8" (Unless specified otherwise)

Part Number	Material Name	Size W x H (mm)	Labels per Roll	Special Features	MOQ (Rolls)	Order in Multiples of	Weight / Roll (KG)
3005670-T	Z-Perform 1000D	23 x 38	4,200		28	7	0.7
3008253-T	Z-Perform 1000D	32 x 15	5,000		24	12	0.5
3002549	Z-Perform 1000D	32 x 25	17,700	Supplied 3 across	24	6	2.7
3008442-T	Z-Perform 1000D	32 x 158	960		24	12	0.8
3012920-T	Z-Perform 1000D	35 x 15	9,374		24	6	1.0
3008135*^	Z-Perform 1000D	35 x 210	420		24	6	0.5
3006624-T	Z-Perform 1000D	38 x 19	7,530		24	12	1.0
3008138-T	Z-Perform 1000D	38 x 51	2,890		24	12	1.0
3007004-T	Z-Perform 1000D	39 x 25	6,020		24	12	1.1
3009925-T	Z-Perform 1000D	40 x 40	3,650	4.45mm gap between labels	24	12	1.0
3008048-T	Z-Perform 1000D	47 x 108	2,790	Supplied 2 across	24	6	2.4
3007785-T	Z-Perform 1000D	50 x 45	6,550	Supplied 2 across	24	3	2.5
3007996-T	Z-Perform 1000D	50 x 85	3,510	Supplied 2 across	24	3	2.4
3012580-T*	Z-Perform 1000D	51 x 165	971		24	6	1.4
3007214-T	Z-Perform 1000D	57 x 51	3,100		30	10	1.6
3007770-T	Z-Perform 1000D	60 x 40	3,610		30	10	1.5
3009299-T*	Z-Perform 1000D	64 x 38	3,790		25	5	1.5
3004090	Z-Perform 1000D	64 x 102	1,600		25	5	1.7
3005788	Z-Perform 1000D	67 x 33	4,790		24	8	1.8
3003388	Z-Perform 1000D	67 x 61	2,640		24	8	1.8
3006852-T	Z-Perform 1000D	70 x 44	3,510		24	8	1.9
3003579*^	Z-Perform 1000D	70 x 49	3,432	Perforation every 2nd label	24	4	2.0
881132-050U	Z-Perform 1000D	70 x 51	2,740		24	8	1.7
3007604-T*	Z-Perform 1000D	73 x 165	930		24	8	1.8
3011448-T*	Z-Perform 1000D	74 x 210	725		24	8	1.8
3005144	Z-Perform 1000D	75 x 35	4,390		24	8	2.0
3007007*^	Z-Perform 1000D	76 x 38	6,078		24	4	3.0
3007765-T	Z-Perform 1000D	76 x 76	1,970		24	8	1.9
3010078-T	Z-Perform 1000D	76 x 102	1,490		24	8	1.8
3012579-T*	Z-Perform 1000D	76 x 127	1,255		24	4	2.0
3009654-T	Z-Perform 1000D	76 x 350	440		24	8	1.8
3008583-T	Z-Perform 1000D	80 x 112	2,670	Supplied 2 across	24	4	3.8
3003982	Z-Perform 1000D	83 x 25	5,180		24	4	2.0
880740-139	Z-Perform 1000D	83 x 140	1,040		24	4	2.0
3003459	Z-Perform 1000D	89 x 24	6,200		24	6	2.4
3005381*^	Z-Perform 1000D	89 x 32	6,072	Perforation every label Fanfolded every 6th label	24	3	3.0
3008181-T	Z-Perform 1000D	89 x 51	2,740		24	6	2.1
3005997	Z-Perform 1000D	89 x 127	1,290		24	6	2.3
3006147-T	Z-Perform 1000D	90 x 30	5,020		24	6	2.4
3012215-T	Z-Perform 1000D	90 x 70	2,238		24	6	2.4
3009839-T	Z-Perform 1000D	100 x 30	4,690		24	6	2.4
3011222*^	Z-Perform 1000D	100 x 149	1,000	2 labels per fanfold sheet	24	6	2.4
3007716*^	Z-Perform 1000D	100 x 150	2,400	Available on a roll from ZipShip as part number 3006306-T.	24	6	5.9
3009921-T*	Z-Perform 1000D	102 x 51	2,900		24	6	2.5
3012822-T*	Z-Perform 1000D	102 x 64	2,510	Available from ZipShip without the perforation between labels as part number 3002654	24	6	2.7

*Perforation between labels

^ Fanfold Pack

Z-Perform 1000D (continued)

Core: 76mm / 3" Outside Diameter: 200mm / 8" (Unless specified otherwise)

Part Number	Material Name	Size W x H (mm)	Labels per Roll	Special Features	MOQ (Rolls)	Order in Multiples of	Weight / Roll (KG)
3003970*	Z-Perform 1000D	102 x 76	2,110	Available without the perforation between labels from ZipShip as part number 3007253-T.	24	6	2.7
3007443*^	Z-Perform 1000D	102 x 76	4,080	Available on a roll from ZipShip as part number 3007253-T.	24	3	5.1
3009620-T	Z-Perform 1000D	102 x 127	1,200		24	6	2.5
3009959-T*	Z-Perform 1000D	102 x 148	1,030	4.4mm gap between labels	24	6	2.5
3009902-T	Z-Perform 1000D	102 x 148	1,030	4.4mm gap between labels	24	6	2.5
3007598*^	Z-Perform 1000D	102 x 152	2,440	Available on a roll from ZipShip as part number 3007096-T with a perf between labels or as part number 87809 without a perf between labels	24	6	6.0
3002930*^	Z-Perform 1000D	102 x 165	1,000	Available on a roll from ZipShip as part number 3007419-T.	24	3	2.7
3010754-T	Z-Perform 1000D	102 x 170	900		24	6	2.5
3010933*^	Z-Perform 1000D	102 x 178	1,010	1 label per fanfold sheet	24	2	5.9
3009183*^	Z-Perform 1000D	102 x 178	2,020	2 labels per fanfold sheet	24	2	5.9
3009722*^	Z-Perform 1000D	102 x 192	2,500		24	3	7.7
3009723-T	Z-Perform 1000D	102 x 192	800		24	6	2.5
3007246-T	Z-Perform 1000D	102 x 203	810		24	6	2.7
3005086-T	Z-Perform 1000D	102 x 210	790		24	6	2.7
3012615-T	Z-Perform 1000D	102 x 254	636		24	6	2.7
3004092	Z-Perform 1000D	102 x 302	550		24	6	2.7
3013291-T	Z-Perform 1000D	102 x Cont	1	Continuous	24	6	2.7
3003648	Z-Perform 1000D	105 x 42	3,760		24	3	2.8
3013907-T	Z-Perform 1000D	105 x 67	2,340		24	6	2.7
3010197-T	Z-Perform 1000D	105 x 137	1,000		24	6	2.3
3009508*^	Z-Perform 1000D	105 x 152	1,260		24	3	3.2
3010837-T*	Z-Perform 1000D	105 x 200	770		24	4	2.6
3007499-T	Z-Perform 1000D	106 x 198	780		24	3	2.7
3008613-T*	Z-Perform 1000D	108 x 64	2,340		24	3	2.6
3010926-T	Z-Perform 1000D	110 x 64	2,340		24	3	2.7
3013906-T	Z-Perform 1000D	115 x 45	3,432		24	4	3.0
3005316*	Z-Perform 1000D	127 x 102	1,600		24	4	3.3
3010880-T	Z-Perform 1000D	148 x 50	2,940		24	4	3.7
3011131-T	Z-Perform 1000D	148 x 105	1,463		24	4	3.7
3009507*^	Z-Perform 1000D	148 x 210	1,780	Available on a roll from Zip Ship as part number 3005103	24	2	8.7
3006377	Z-Perform 1000D	152 x 102	1,600		24	4	4.0
3002512	Z-Perform 1000D	152 x 216	760		24	4	4.0
3008453-T*	Z-Perform 1000D	168 x 220	700		24	2	4.1

*Perforation between labels

^ Fanfold Pack

Z-Perform 1000D Removable**Core: 76mm / 3" Outside Diameter: 200mm / 8" (Unless specified otherwise)**

Part Number	Material Name	Size W x H (mm)	Labels per Roll	Special Features	MOQ (Rolls)	Order in Multiples of	Weight / Roll (KG)
3008170-T	Z-Perform 1000D Removable	25 x 76	1,930		24	6	0.7
3012097-T	Z-Perform 1000D Removable	30 x 22	6,571		24	6	0.9
3004876	Z-Perform 1000D Removable	44 x 38	3,710		24	6	1.1
3008267-T	Z-Perform 1000D Removable	47 x 108	2,810	Supplied 2 across	24	6	2.4
3007324-T	Z-Perform 1000D Removable	65 x 95	1,550		25	5	1.6
3009904-T	Z-Perform 1000D Removable	76 x 51	2,840		24	8	1.8
3009847-T*	Z-Perform 1000D Removable	76 x 51	2,840		24	8	1.8
881170-076U	Z-Perform 1000D Removable	76 x 76	1,890		24	8	1.9
3011635-T	Z-Perform 1000D Removable	78 x 40	3,967		24	8	2.1
3014443-T	Z-Perform 1000D Removable	80 x 170	964		24	4	2.2
881176-044U	Z-Perform 1000D Removable	95 x 44	3,150		24	6	2.3
3010058	Z-Perform 1000D Removable	100 x 30	4,780		24	6	2.5
3010273-T	Z-Perform 1000D Removable	100 x 50	2,840		24	6	2.5
3008256-T	Z-Perform 1000D Removable	100 x 60	2,410		24	6	2.4
3011161*^	Z-Perform 1000D Removable	100 x 72	2,000	4 labels per fanfold sheet	24	6	2.5
3009163-T	Z-Perform 1000D Removable	100 x 100	1,490		24	6	2.5
3011163*^	Z-Perform 1000D Removable	100 x 149	1,000	2 labels per fanfold sheet	24	6	2.5
3006569-T*	Z-Perform 1000D Removable	100 x 150	1,000		24	6	2.4
3007856-T	Z-Perform 1000D Removable	100 x 210	720		24	6	2.4
3010373-T	Z-Perform 1000D Removable	101 x 220	690		24	6	2.5
3003735	Z-Perform 1000D Removable	102 x 64	2,244		24	6	2.4
3012050-T	Z-Perform 1000D Removable	102 x 76	2,102		24	3	2.7
3001369*^	Z-Perform 1000D Removable	102 x 76	3,435		24	6	4.5
3004874	Z-Perform 1000D Removable	102 x 102	1,460		24	6	2.5
880782-152	Z-Perform 1000D Removable	102 x 152	950		24	6	2.4
3005191	Z-Perform 1000D Removable	102 x 178	850		24	6	2.5
3007383*^	Z-Perform 1000D Removable	102 x 178	1,010		24	6	2.9
3005185-1*^	Z-Perform 1000D Removable	102 x 178	2,020		24	2	6.0
3007234-T	Z-Perform 1000D Removable	102 x 210	720		24	6	2.5
3004854*^	Z-Perform 1000D Removable	106 x 48	4,020		24	3	3.5
3008012-T	Z-Perform 1000D Removable	110 x 79	1,850		24	3	2.7
3004270*	Z-Perform 1000D Removable	148 x 210	700		24	4	3.5
3005081	Z-Perform 1000D Removable	148 x 210	720		24	4	3.6
3008772-T	Z-Perform 1000D Removable	152 x 102	1,460		24	4	3.7
3014120-T	Z-Perform 1000D Removable	175 x 83	1,947		24	2	4.6

*Perforation between labels

^ Fanfold Pack

Z-Perform 1000T

Core: 76mm / 3" Outside Diameter: 200mm / 8" (Unless specified otherwise)

Part Number	Material Name	Size W x H (mm)	Labels per Roll	Special Features	MOQ (Rolls)	Order in Multiples of	Weight / Roll (KG)
87522	Z-Perform 1000T	6 x 30	30,588	Supplied 6 across	24	6	1.5
3009681-T	Z-Perform 1000T	8 x 10	40,390	Supplied 3 across	24	12	0.9
87521	Z-Perform 1000T	19 x 6	71,380	Supplied 4 across	24	4	2.3
880000-012	Z-Perform 1000T	19 x 13	9,449		24	12	0.5
3002211	Z-Perform 1000T	22 x 22	26,930	Supplied 4 across	24	4	2.3
86288	Z-Perform 1000T	22 x 22	6,690		24	12	0.7
3008246	Z-Perform 1000T	24 x Cont	1		24	6	0.9
3001829*	Z-Perform 1000T	25 x 13	32,310	Horizontal and vertical perforation between labels Supplied 3 across	24	6	2.2
76576	Z-Perform 1000T	25 x 13	10,000		24	12	0.7
200279	Z-Perform 1000T	25 x 25	12,080	Supplied 2 across	24	8	1.3
880002-025	Z-Perform 1000T	25 x 25	5,180		24	12	0.6
76520	Z-Perform 1000T	25 x 32	4,295		24	12	0.7
3005129	Z-Perform 1000T	25 x 38	4,270		24	12	0.8
3004280	Z-Perform 1000T	25 x 51	3,090		24	12	0.7
3009689-T	Z-Perform 1000T	30 x Cont	1	Continuous	24	12	0.8
3006928-T	Z-Perform 1000T	30 x 40	3,710		24	12	0.8
3003396	Z-Perform 1000T	32 x 10	13,460		24	12	0.9
880004-012	Z-Perform 1000T	32 x 13	9,449		24	12	0.8
3001015	Z-Perform 1000T	32 x 16	8,000		24	12	0.8
880004-019	Z-Perform 1000T	32 x 19	6,742		24	12	0.8
86572-2	Z-Perform 1000T	32 x 25	17,499	Supplied 3 across	24	6	2.4
200877	Z-Perform 1000T	32 x 32	4,866		24	12	0.9
880004-044	Z-Perform 1000T	32 x 44	3,150		24	12	0.8
880004-069	Z-Perform 1000T	32 x 70	2,054		24	12	0.8
3005497	Z-Perform 1000T	35 x 19	7,930		24	12	1.0
3007310-T	Z-Perform 1000T	35 x 48	3,440		24	12	1.0
3007638-T	Z-Perform 1000T	35 x 210	830		24	12	1.0
880006-012	Z-Perform 1000T	38 x 13	9,449		24	12	0.9
86829	Z-Perform 1000T	38 x 16	8,920		24	12	1.1
87932*	Z-Perform 1000T	38 x 16	9,733	Perforation every 5th label	24	12	1.2
3001396	Z-Perform 1000T	38 x 19	15,390	Supplied 2 across	24	6	2.1
86681	Z-Perform 1000T	38 x 19	7,648		24	12	1.1
3005204	Z-Perform 1000T	38 x 25	12,330	Supplied 2 across	24	6	2.1
86498	Z-Perform 1000T	38 x 32	4,866		24	12	1.1
880834-038U	Z-Perform 1000T	38 x 38	3,634		24	12	0.9
3003769	Z-Perform 1000T	38 x 51	3,170		24	12	1.1
3005247-T	Z-Perform 1000T	38 x 57	2,940		28	14	1.1
880006-063	Z-Perform 1000T	38 x 64	2,220		24	12	0.9
3005526	Z-Perform 1000T	38 x 64	5,280	Supplied 2 across	24	6	2.2
3006361-2T	Z-Perform 1000T	38 x 76	2,220		24	12	1.1
880834-139U	Z-Perform 1000T	38 x 140	1,040		24	12	0.9
3004158	Z-Perform 1000T	40 x 15	9,750		24	12	1.1
3009000	Z-Perform 1000T	40 x 21	7,400		24	12	1.1
86052	Z-Perform 1000T	40 x 21	14,276	Supplied 2 across	24	6	2.3
3009002	Z-Perform 1000T	40 x 30	5,280		24	12	1.1
3006300	Z-Perform 1000T	44 x 19	7,500		24	12	1.2
3005483*^	Z-Perform 1000T	44 x 25	12,000	Supplied 2 across	24	6	2.5
880008-025	Z-Perform 1000T	44 x 25	5,180		24	12	1.1
880008-031	Z-Perform 1000T	44 x 32	4,240		24	12	1.1
3005582*	Z-Perform 1000T	44 x 38	3,700		24	12	1.1
3007888-T	Z-Perform 1000T	44 x 38	8,540	Supplied 2 across	24	6	2.6

*Perforation between labels

^ Fanfold Pack

Z-Perform 1000T (continued)

Core: 76mm / 3" Outside Diameter: 200mm / 8" (Unless specified otherwise)

Part Number	Material Name	Size W x H (mm)	Labels per Roll	Special Features	MOQ (Rolls)	Order in Multiples of	Weight / Roll (KG)
880008-038	Z-Perform 1000T	44 x 38	3,634		24	12	1.1
87682	Z-Perform 1000T	45 x 14	9,748		24	12	1.3
200788-1	Z-Perform 1000T	45 x 30	5,000		24	12	1.2
3008776-T	Z-Perform 1000T	46 x 36	4,490		24	12	1.3
86314	Z-Perform 1000T	47 x 64	2,549		24	12	1.3
3007857-T	Z-Perform 1000T	48 x 30	9,000	Supplied 2 across	24	12	2.2
200733	Z-Perform 1000T	48 x 100	1,000		24	12	0.8
3007268-T	Z-Perform 1000T	50 x 60	2,770		24	6	1.4
3002586	Z-Perform 1000T	51 x 13	21,540	Supplied 2 across	24	3	2.8
880010-012	Z-Perform 1000T	51 x 13	9,449		24	6	1.2
880010-019	Z-Perform 1000T	51 x 19	6,742		24	6	1.2
3002526	Z-Perform 1000T	51 x 25	11,970	Supplied 2 across	24	3	2.7
3004629	Z-Perform 1000T	51 x 25	17,950	Supplied 3 across	24	2	4.2
3007417-T*	Z-Perform 1000T	51 x 25	5,180	Available without the perforation between labels from ZipShip as part number 76171	24	6	1.2
3007045	Z-Perform 1000T	51 x 38	8,540	Supplied 2 across	24	3	2.9
3007417-T*	Z-Perform 1000T	51 x 25	5,180	Available without the perforation between labels from ZipShip as part number 76171	24	6	1.2
3008326-T	Z-Perform 1000T	51 x 30	3,000		24	6	0.8
3007045	Z-Perform 1000T	51 x 38	8,540	Supplied 2 across	24	3	2.9
3002956	Z-Perform 1000T	51 x 40	3,920		24	6	1.3
3007344-T	Z-Perform 1000T	51 x 51	6,530	Supplied 2 across	24	3	2.8
3008172-T	Z-Perform 1000T	51 x 76	4,440	Supplied 2 across	24	3	2.8
880010-076	Z-Perform 1000T	51 x 76	1,890		24	6	1.2
880010-101	Z-Perform 1000T	51 x 102	1,432		24	6	1.2
87284	Z-Perform 1000T	51 x 102	3,244	Supplied 2 across	24	3	2.8
880010-127	Z-Perform 1000T	51 x 127	1,152		24	6	1.2
880010-152	Z-Perform 1000T	51 x 152	950		24	6	1.2
3012296-T*	Z-Perform 1000T	51 x 165	1,083		24	6	1.5
3011217-2T	Z-Perform 1000T	53 x 33	4,790		24	4	1.5
3002583	Z-Perform 1000T	54 x 86	1,920		24	6	1.5
3005547	Z-Perform 1000T	55 x 25	6,230		24	8	1.5
3011175-T	Z-Perform 1000T	55 x 26	6,052		24	6	1.5
880012-012	Z-Perform 1000T	57 x 13	9,449		25	5	1.4
3003451*	Z-Perform 1000T	57 x 19	7,690		25	5	1.6
880012-019	Z-Perform 1000T	57 x 19	6,742		25	5	1.4
880012-025	Z-Perform 1000T	57 x 25	5,180		25	5	1.4
87447*	Z-Perform 1000T	57 x 32	4,240	Available without the perforation between labels from ZipShip as part number 76173	25	5	1.4
3006097	Z-Perform 1000T	57 x 38	4,270		25	5	1.6
880012-050	Z-Perform 1000T	57 x 51	2,740		25	5	1.4
3003943	Z-Perform 1000T	57 x 76	2,100		25	5	1.5
880012-101	Z-Perform 1000T	57 x 102	1,432		25	5	1.4
87592-2	Z-Perform 1000T	60 x 22	6,692		25	5	1.6
3004387PI	Z-Perform 1000T	60 x 30	5,130		25	5	1.6
3007552-T	Z-Perform 1000T	60 x 102	3,360	Supplied 2 across	24	4	3.4
3005553-T*	Z-Perform 1000T	61 x 36	4,660	Small gap (2.1mm)	25	5	1.8
3006961-1T	Z-Perform 1000T	63 x 57	5,000	Supplied 2 across	24	4	3.0
880014-012	Z-Perform 1000T	64 x 13	9,449		25	5	1.5
87544	Z-Perform 1000T	64 x 25	5,000		25	5	1.4
880014-031	Z-Perform 1000T	64 x 32	4,240		25	5	1.5
200835*	Z-Perform 1000T	64 x 37	8,022	Vertical and horizontal perforation between labels 2 across	24	4	3.2

*Perforation between labels

^ Fanfold Pack

Z-Perform 1000T (continued)

Core: 76mm / 3" Outside Diameter: 200mm / 8" (Unless specified otherwise)

Part Number	Material Name	Size W x H (mm)	Labels per Roll	Special Features	MOQ (Rolls)	Order in Multiples of	Weight / Roll (KG)
880014-038	Z-Perform 1000T	64 x 38	3,634		25	5	1.5
880014-063	Z-Perform 1000T	64 x 64	2,220		25	5	1.5
3004301	Z-Perform 1000T	64 x 102	1,590		25	5	1.7
3009873-T	Z-Perform 1000T	64 x 114	1,460		25	5	1.7
3007100	Z-Perform 1000T	65 x 16	9,250		25	5	1.8
3009953-1	Z-Perform 1000T	65 x 91	1,740		25	5	1.6
3006386	Z-Perform 1000T	68 x 38	3,000		24	4	1.3
880016-012	Z-Perform 1000T	70 x 13	9,449		24	8	1.7
3007533-1T	Z-Perform 1000T	70 x 25	6,170		24	8	2.0
3009257-T	Z-Perform 1000T	70 x 36	4,440		24	8	1.9
880016-038	Z-Perform 1000T	70 x 38	3,634		24	8	1.7
3005668	Z-Perform 1000T	70 x 44	3,700		24	8	1.9
880016-050	Z-Perform 1000T	70 x 51	2,740		24	8	1.6
3005546	Z-Perform 1000T	70 x 57	2,920		24	8	1.9
3005878*	Z-Perform 1000T	70 x 70	2,410		24	8	1.9
880016-101	Z-Perform 1000T	70 x 102	1,432		24	8	1.7
3003734	Z-Perform 1000T	70 x 150	1,120		24	8	1.9
3007195-T	Z-Perform 1000T	73 x Cont	1	Continuous	24	8	2.0
3014118-T*	Z-Perform 1000T	74 x 207	871		24	8	2.1
3006239*^	Z-Perform 1000T	74 x 210	1,070	Available on a roll from ZipShip as part number 3005869.	24	4	2.6
3004233	Z-Perform 1000T	74 x Cont	1	Continuous 5mm left hand trim	24	8	1.9
3005414-T	Z-Perform 1000T	75 x 35	4,620		24	8	2.1
3007027-T	Z-Perform 1000T	75 x 48	3,440		24	8	2.0
3007876-T	Z-Perform 1000T	75 x 105	1,630		24	8	2.0
3001733	Z-Perform 1000T	75 x 125	1,000		24	8	1.5
87492	Z-Perform 1000T	76 x 13	10,707		24	8	2.1
880018-019	Z-Perform 1000T	76 x 19	6,742		24	8	1.8
200972	Z-Perform 1000T	76 x 25	5,570		24	8	1.9
3011246-T*	Z-Perform 1000T	76 x 25	6,054		24	8	2.1
3012942-T	Z-Perform 1000T	76 x 35	4,785		24	4	2.2
3003471*	Z-Perform 1000T	76 x 38	3,634	Available from ZipShip without a perf between labels as part number 880018-038	24	8	1.7
3004247	Z-Perform 1000T	76 x 44	3,590		24	8	2.1
3002066*	Z-Perform 1000T	76 x 76	2,150	Available without the perforation between labels from ZipShip as part number 76522.	24	8	2.1
3012176-T*	Z-Perform 1000T	76 x 102	1,740		24	8	2.2
3005718*	Z-Perform 1000T	76 x 127	1,152	Available without the perforation between labels from ZipShip as part number 880018-127.	24	8	1.8
3005171-T*	Z-Perform 1000T	76 x 152	1,000		24	8	1.9
880018-152	Z-Perform 1000T	76 x 152	950		24	8	1.8
3005262	Z-Perform 1000T	76 x 185	940		24	8	2.0
3002067	Z-Perform 1000T	80 x 23	6,610		24	4	2.1
3006704-T	Z-Perform 1000T	80 x 50	6,000	Supplied 2 across	24	4	4.0
86378	Z-Perform 1000T	80 x 50	3,150		24	4	2.1
3012996-T*	Z-Perform 1000T	80 x 50	2,981		24	4	2.0
3011781	Z-Perform 1000T	80 x 80	2,208		24	4	2.3
3012958-T*	Z-Perform 1000T	80 x 160	1,105	5.1mm gap between labels	24	4	2.3
880020-025	Z-Perform 1000T	83 x 25	5,180		24	4	1.9
880020-031	Z-Perform 1000T	83 x 32	4,240		24	4	1.9

*Perforation between labels

^ Fanfold Pack

Z-Perform 1000T (continued)

Core: 76mm / 3" Outside Diameter: 200mm / 8" (Unless specified otherwise)

Part Number	Material Name	Size W x H (mm)	Labels per Roll	Special Features	MOQ (Rolls)	Order in Multiples of	Weight / Roll (KG)
880020-038	Z-Perform 1000T	83 x 38	3,634		24	4	2.0
880848-044U	Z-Perform 1000T	83 x 45	3,150		24	4	2.0
880020-076	Z-Perform 1000T	83 x 76	1,890		24	4	2.0
76176-1	Z-Perform 1000T	83 x 140	1,040		24	4	1.9
3007740**^	Z-Perform 1000T	83 x 152	690		24	8	1.4
3004624	Z-Perform 1000T	83 x Cont	1	Continuous	24	6	2.0
87915-1	Z-Perform 1000T	86 x 51	3,149		24	6	2.3
200106	Z-Perform 1000T	86 x 203	820		24	6	2.2
3007957-T	Z-Perform 1000T	88 x 20	7,930		24	6	2.4
880022-031	Z-Perform 1000T	89 x 32	4,240		24	6	2.1
87111*	Z-Perform 1000T	89 x 38	3,634	Available without the perforation between labels from ZipShip as part number 880022-038.	24	6	2.1
880022-044	Z-Perform 1000T	89 x 44	3,150		24	6	2.1
3008820-T	Z-Perform 1000T	89 x 48	3,470		24	6	2.5
880850-050U	Z-Perform 1000T	89 x 51	2,740		24	6	2.1
880022-088	Z-Perform 1000T	89 x 89	1,629		24	6	2.1
3007937**^	Z-Perform 1000T	89 x 98	3,200		24	3	4.4
880022-101	Z-Perform 1000T	89 x 102	1,432		24	6	2.1
3004786	Z-Perform 1000T	89 x 140	1,210		24	6	2.4
880022-203	Z-Perform 1000T	89 x 203	726		24	6	2.1
3010366-1T	Z-Perform 1000T	90 x 60	2,700		24	6	2.4
3002751	Z-Perform 1000T	90 x 70	2,350		24	6	2.4
3010657-T*	Z-Perform 1000T	90 x 124	1,350		24	6	2.4
3007232-T	Z-Perform 1000T	90 x 145	1,160		24	6	2.4
3010656-T*	Z-Perform 1000T	90 x 170	990		24	6	2.4
3005937	Z-Perform 1000T	92 x 54	3,000		24	6	2.5
3001698*	Z-Perform 1000T	95 x 50	3,196		24	6	2.5
3004294	Z-Perform 1000T	95 x 51	3,170		24	6	2.6
880024-063	Z-Perform 1000T	95 x 64	2,220		24	6	2.2
3005445-1	Z-Perform 1000T	95 x 76	2,220		24	6	2.6
3005110	Z-Perform 1000T	95 x 114	1,500		24	6	2.6
880024-165	Z-Perform 1000T	95 x 165	880		24	6	2.2
3002132	Z-Perform 1000T	97 x 241	700		24	6	2.6
3007507-T	Z-Perform 1000T	98 x 54	3,080		24	6	2.7
3006301	Z-Perform 1000T	100 x 30	5,000		24	6	2.6
86016	Z-Perform 1000T	100 x 35	4,460		24	6	2.7
3007537-T	Z-Perform 1000T	100 x 60	3,000		24	3	2.9
3008689-T	Z-Perform 1000T	100 x 120	1,420		24	6	2.8
3003162-T	Z-Perform 1000T	100 x 125	1,350		24	6	2.7
3005413	Z-Perform 1000T	102 x 13	11,100		24	3	2.8
3005774	Z-Perform 1000T	102 x 22	5,000		24	6	2.0
880026-025	Z-Perform 1000T	102 x 25	5,180		24	6	2.3
880026-031	Z-Perform 1000T	102 x 32	4,240		24	6	2.4
800664-155*	Z-Perform 1000T	102 x 38	4,225	Available without the perforation between labels from ZipShip as part number 880026-038.	24	6	2.7
3007143-T	Z-Perform 1000T	102 x 44	3,700		24	3	2.8
3006039**^	Z-Perform 1000T	102 x 51	4,260	Available on a roll from ZipShip as part number 3005676.	24	3	3.7
3002801*	Z-Perform 1000T	102 x 64	2,220	Available without the perforation between labels from ZipShip as part number 76179.	24	6	2.3

*Perforation between labels

^ Fanfold Pack

Z-Perform 1000T (continued)

Core: 76mm / 3" Outside Diameter: 200mm / 8" (Unless specified otherwise)

Part Number	Material Name	Size W x H (mm)	Labels per Roll	Special Features	MOQ (Rolls)	Order in Multiples of	Weight / Roll (KG)
3008028*^	Z-Perform 1000T	102 x 64	3,000	Available on a roll from ZipShip as part number 76179.	24	3	3.1
3008529-5T	Z-Perform 1000T	102 x 75	2,270	Left and right margin = 3.175mm each. Total web width = 107.95mm	24	4	2.9
3008472*^	Z-Perform 1000T	102 x 76	2,300		24	3	2.9
86938*	Z-Perform 1000T	102 x 76	2,005	Available without the perforation between labels from ZipShip as part number 880026-076.	24	6	2.5
3003219-1*	Z-Perform 1000T	102 x 102	1,630	Available without the perforation between labels from ZipShip as part number 76523.	24	6	2.7
86860*^	Z-Perform 1000T	102 x 102	2,000	Available on a roll from ZipShip as part number 76523.	24	3	3.3
3003955*	Z-Perform 1000T	102 x 127	1,280	Available without the perforation between labels from ZipShip as part number 880026-127.	24	6	2.7
3007956*^	Z-Perform 1000T	102 x 149	2,570		24	6	6.1
3008027-1*^	Z-Perform 1000T	102 x 152	1,000	Available on a roll from ZipShip as part number 87985.	24	3	2.4
3010363*^	Z-Perform 1000T	102 x 152	2,000	Available on a roll from ZipShip as part number 87985.	24	3	5.0
3005235*	Z-Perform 1000T	102 x 165	880	Available without the perforation between labels from ZipShip as part number 76181.	24	6	2.3
3004275	Z-Perform 1000T	102 x 178	940		24	6	2.7
3012336-T	Z-Perform 1000T	102 x 201	897		24	6	2.9
3004916*	Z-Perform 1000T	102 x 203	850	Available without the perforation between labels from ZipShip as part number 880026-203.	24	6	2.8
3011515*^	Z-Perform 1000T	102 x 203	1,425	Available on a roll from ZipShip as part number 880026-203	24	3	4.7
3002008	Z-Perform 1000T	102 x 302	560		24	6	2.7
3005737-T	Z-Perform 1000T	102 x Cont	1	Continuous	24	6	2.7
3003790	Z-Perform 1000T	105 x 17	8,450		24	3	2.8
3003526-1	Z-Perform 1000T	105 x 48	3,370		24	3	2.8
3005540*	Z-Perform 1000T	105 x 74	2,310		24	3	2.9
3008777-T	Z-Perform 1000T	105 x 74	2,290		24	3	2.9
3012219-T*	Z-Perform 1000T	105 x 148	1,127	Available from ZipShip without a perf between labels as part number 200957	24	6	2.8
3008029-T	Z-Perform 1000T	105 x 181	960		24	3	2.9
3002234*	Z-Perform 1000T	106 x 48	3,370		24	3	2.9
3003209*	Z-Perform 1000T	106 x 76	2,150		24	3	2.8
3012338-T	Z-Perform 1000T	107 x 251	717		24	6	3.1
3011473-T	Z-Perform 1000T	110 x 105	1,688		24	3	3.1
3012337-T	Z-Perform 1000T	110 x 225	797		24	4	3.1
3007142-T	Z-Perform 1000T	110 x 245	695		24	3	2.9
3007997-T	Z-Perform 1000T	110 x Cont	1	Continuous	24	3	2.6
3004879*	Z-Perform 1000T	111 x 162	1,040		24	3	3.0
3003143	Z-Perform 1000T	113 x 152	1,100		24	4	3.0

*Perforation between labels

^ Fanfold Pack

Z-Perform 1000T (continued)

Core: 76mm / 3" Outside Diameter: 200mm / 8" (Unless specified otherwise)

Part Number	Material Name	Size W x H (mm)	Labels per Roll	Special Features	MOQ (Rolls)	Order in Multiples of	Weight / Roll (KG)
3002313*^	Z-Perform 1000T	114 x 140	3,170		24	2	7.9
880028-139	Z-Perform 1000T	114 x 140	1,040		24	4	2.7
3008545-T	Z-Perform 1000T	115 x 73	2,310		24	4	3.1
3005966	Z-Perform 1000T	116 x 149	1,155		24	4	3.1
3006809-T	Z-Perform 1000T	120 x 70	2,410		24	4	3.3
87647	Z-Perform 1000T	121 x 79	2,059		24	4	3.2
3005876-T	Z-Perform 1000T	121 x 121	1,420		24	4	3.3
880030-038	Z-Perform 1000T	127 x 38	3,634		24	4	3.0
880030-076	Z-Perform 1000T	127 x 76	1,890		24	4	3.0
880030-101	Z-Perform 1000T	127 x 102	1,432		24	4	3.0
87541	Z-Perform 1000T	127 x 203	823		24	4	3.3
3006411-T	Z-Perform 1000T	129 x 195	750		24	4	3.0
3002074	Z-Perform 1000T	138 x Cont	1	Continuous	24	4	3.6
3005516	Z-Perform 1000T	140 x 70	1,250		24	4	2.0
86685*^	Z-Perform 1000T	148 x 210	1,000	Available on a roll from ZipShip as part number 3001699.	24	4	4.8
3008737-T*	Z-Perform 1000T	148 x 315	560		24	4	4.0
3009192-T	Z-Perform 1000T	148 x Cont	1	Continuous	24	4	4.0
3008482-T*	Z-Perform 1000T	149 x 188	930		24	4	4.0
87742-1T*	Z-Perform 1000T	150 x 67	2,000		24	4	3.3
3003533	Z-Perform 1000T	150 x 95	1,700		24	4	3.9
3002137*	Z-Perform 1000T	150 x 95	1,740		24	4	4.0
3011656-T	Z-Perform 1000T	150 x 150	1,120		24	4	4.0
3002960*	Z-Perform 1000T	150 x 150	1,120		24	4	4.0
3007739-1*^	Z-Perform 1000T	150 x 210	1,070		24	2	5.2
3008083-T	Z-Perform 1000T	150 x 210	830		24	4	4.1
880034-050	Z-Perform 1000T	152 x 51	2,740		24	4	3.5
880034-095	Z-Perform 1000T	152 x 95	1,524		24	4	3.5
880034-101	Z-Perform 1000T	152 x 102	1,432	Available with a perforation between labels from ZipShip as part number 3003632.	24	4	3.5
3007532-T	Z-Perform 1000T	152 x 127	1,350		24	4	4.1
3007925-T*	Z-Perform 1000T	152 x 216	800	Available without the perforation between labels from ZipShip as part number 76186.	24	4	4.1
3011665-T	Z-Perform 1000T	152 x 254	708		24	4	4.3
3006808-T	Z-Perform 1000T	158 x 137	1,260		24	4	4.3
3008436-1T	Z-Perform 1000T	159 x 314	560		24	2	4.3
3002567*^	Z-Perform 1000T	168 x 210	1,250		24	2	6.8
3003224	Z-Perform 1000T	170 x 49	3,260		24	2	4.5
3001334*	Z-Perform 1000T	170 x 102	1,622		24	2	4.4
200571*	Z-Perform 1000T	183 x 254	682		24	2	5.0
3003302	Z-Perform 1000T	183 x 254	660		24	2	4.8
3007242-T*	Z-Perform 1000T	210 x 27	5,840		24	2	5.7
3007072-2T	Z-Perform 1000T	210 x 59	2,830		24	2	5.7
3006583-T	Z-Perform 1000T	210 x 148	1,000		24	2	4.9
3008317-T*	Z-Perform 1000T	210 x 149	1,160		24	2	5.7
86089	Z-Perform 1000T	216 x 152	1,092		24	2	5.7
3006173	Z-Perform 1000T Removable	25 x 38	4,260		24	12	0.8
3010511-T	Z-Perform 1000T Removable	26 x 13	10,330		24	6	0.7
3004634	Z-Perform 1000T Removable	29 x 17	8,720		24	12	0.9

*Perforation between labels

^ Fanfold Pack

Z-Perform 1000T Removable

Core: 76mm / 3" Outside Diameter: 200mm / 8" (Unless specified otherwise)

Part Number	Material Name	Size W x H (mm)	Labels per Roll	Special Features	MOQ (Rolls)	Order in Multiples of	Weight / Roll (KG)
3004634	Z-Perform 1000T Removable	29 x 17	8,720		24	12	0.9
3005939	Z-Perform 1000T Removable	30 x 22	18,580	Supplied 3 across	24	6	2.2
3003634	Z-Perform 1000T Removable	32 x 19	7,470		24	12	0.9
3003765	Z-Perform 1000T Removable	32 x 25	5,690		24	12	0.9
3009446-T	Z-Perform 1000T Removable	32 x 32	5,000	Supplied 2 across	24	12	0.9
3003237	Z-Perform 1000T Removable	38 x 16	8,720		24	12	1.1
3005183	Z-Perform 1000T Removable	38 x 25	10,350	Supplied 2 across	24	6	1.8
3006215-T	Z-Perform 1000T Removable	38 x 57	2,500		28	14	0.9
3004128	Z-Perform 1000T Removable	38 x 76	2,000		24	12	1.0
3005672	Z-Perform 1000T Removable	44 x 38	3,810		24	12	1.2
880694-025	Z-Perform 1000T Removable	51 x 25	5,180		24	6	1.2
3013610-T	Z-Perform 1000T Removable	51 x 25	12,858	Supplied 2 across	24	3	3.1
3004069	Z-Perform 1000T Removable	51 x 76	2,050		24	6	1.3
880876-031U	Z-Perform 1000T Removable	57 x 32	4,240		25	5	1.4
3006208	Z-Perform 1000T Removable	60 x 30	4,750		25	5	1.5
880878-031U	Z-Perform 1000T Removable	64 x 32	4,240		25	5	1.5
3004028-1	Z-Perform 1000T Removable	65 x 91	1,740		25	5	1.7
3003725	Z-Perform 1000T Removable	70 x 32	4,650		24	8	1.8
3006714-T	Z-Perform 1000T Removable	70 x 44	3,000		24	8	1.6
3008411-T*	Z-Perform 1000T Removable	74 x 210	740		24	8	1.8
880702-019	Z-Perform 1000T Removable	76 x 19	6,742		24	8	1.8
880702-025	Z-Perform 1000T Removable	76 x 25	5,180		24	8	1.8
3012681-T	Z-Perform 1000T Removable	76 x 38	4,458		24	8	2.3
880702-050	Z-Perform 1000T Removable	76 x 51	2,740		24	8	1.8
880702-076	Z-Perform 1000T Removable	76 x 76	1,890		24	8	1.8
3003910	Z-Perform 1000T Removable	83 x 25	5,690		24	4	2.2
880704-044	Z-Perform 1000T Removable	83 x 44	3,150		24	4	2.0
880884-050U	Z-Perform 1000T Removable	83 x 51	2,740		24	4	2.0
3004657	Z-Perform 1000T Removable	89 x 25	5,810		24	6	2.4
3009377-T	Z-Perform 1000T Removable	89 x 38	3,970		24	6	2.3
3004762	Z-Perform 1000T Removable	89 x 140	1,040		24	6	2.1
3001824-1	Z-Perform 1000T Removable	90 x 145	1,160		24	6	2.4
880708-031	Z-Perform 1000T Removable	95 x 32	4,240		24	6	2.3

*Perforation between labels

^ Fanfold Pack

Z-Perform 1000T Removable (continued)

Core: 76mm / 3" Outside Diameter: 200mm / 8" (Unless specified otherwise)

Part Number	Material Name	Size W x H (mm)	Labels per Roll	Special Features	MOQ (Rolls)	Order in Multiples of	Weight / Roll (KG)
3007651-T*	Z-Perform 1000T Removable	95 x 51	2,910		24	6	2.4
3006795	Z-Perform 1000T Removable	100 x 150	1,000		24	6	2.4
3011913-T*	Z-Perform 1000T Removable	100 x 150	1,000		24	6	2.4
3006047	Z-Perform 1000T Removable	102 x 51	2,910		24	6	2.6
3007449-T	Z-Perform 1000T Removable	102 x 64	2,220		24	6	2.4
880710-069	Z-Perform 1000T Removable	102 x 70	2,054		24	6	2.4
880890-076U	Z-Perform 1000T Removable	102 x 76	1,890		24	6	2.4
880710-101	Z-Perform 1000T Removable	102 x 102	1,432		24	6	2.4
3011100*^	Z-Perform 1000T Removable	102 x 102	2,018	2 labels per fanfold sheet	24	3	3.4
3013947-T*	Z-Perform 1000T Removable	102 x 127	1,411		24	6	3.0
3009773-T	Z-Perform 1000T Removable	102 x 148	1,170	Non-standard gap between labels of 4.4mm Roll outer diameter = 216mm	24	6	2.8
3003793	Z-Perform 1000T Removable	102 x 152	1,040		24	6	2.6
3008156-T	Z-Perform 1000T Removable	104 x 75	2,020		24	3	2.6
3008412-T*	Z-Perform 1000T Removable	105 x 48	3,100		24	3	2.7
3006491-T*	Z-Perform 1000T Removable	105 x 148	1,030	Non-standard gap between labels of 4.4mm	24	3	2.6
3004422*^	Z-Perform 1000T Removable	106 x 48	4,020		24	3	3.5
3002802	Z-Perform 1000T Removable	108 x 38	3,000		24	3	2.1
3010448-T	Z-Perform 1000T Removable	110 x 70	2,250		24	3	2.9
3011130-T	Z-Perform 1000T Removable	120 x 162	1,003		24	4	3.2
3007758-T*	Z-Perform 1000T Removable	148 x 105	1,460		24	4	3.7
3002436*^	Z-Perform 1000T Removable	148 x 210	1,000		24	2	5.0
3008040-T	Z-Perform 1000T Removable	148 x 210	740		24	4	3.7
3010586-T*	Z-Perform 1000T Removable	148 x 210	740		24	4	3.7
3002959*	Z-Perform 1000T Removable	152 x 102	1,590		24	4	4.0
3003504	Z-Perform 1000T Removable	152 x 203	800		24	4	4.0

*Perforation between labels

^ Fanfold Pack

Z-Ultimate 3000T White

Core: 76mm / 3" Outside Diameter: 200mm / 8" (Unless specified otherwise)

Part Number	Material Name	Size W x H (mm)	Labels per Roll	Special Features	MOQ (Rolls)	Order in Multiples of	Weight / Roll (KG)
200502*	Z-Ultimate 3000T White	6 x 19	91,630	Supplied 11 across	12	6	0.3
3012007-T	Z-Ultimate 3000T White	8 x 8	16,663	Non-Standard trims of 8.7mm	12	4	0.8
3010274	Z-Ultimate 3000T White	8 x 10	14,430	Non-Standard trims of 6mm	12	4	0.6
3009960	Z-Ultimate 3000T White	9 x 10	14,430	Non-Standard trims of 6mm	12	4	0.4
3010360	Z-Ultimate 3000T White	10 x 10	14,430	Non-Standard trims of 5.033mm	12	6	0.6
3006938	Z-Ultimate 3000T White	10 x 10	14,300	Non-Standard trims of 10mm	12	6	0.9
3001531	Z-Ultimate 3000T White	11 x 11	63,570	Round Supplied 5 across	15	5	0.4
3010901	Z-Ultimate 3000T White	15 x 15	10,040	Non-standard trims of 3mm	12	6	0.6
3013541-T	Z-Ultimate 3000T White	18 x 21	10,000	Supplied 3 across Short roll length of 79.38M	12	6	0.8
87302	Z-Ultimate 3000T White	19 x 6	50,000	Supplied 4 across	12	4	1.6
3001284	Z-Ultimate 3000T White	19 x 8	64,840	Supplied 4 across	12	4	2.4
3010844	Z-Ultimate 3000T White	19 x 19	8,240		12	6	0.6
3006486	Z-Ultimate 3000T White	19 x 44	3,810		12	6	0.6
3010243	Z-Ultimate 3000T White	20 x 10	14,150		15	5	0.6
3008149	Z-Ultimate 3000T White	20 x 13	11,000		12	6	0.6
3007898	Z-Ultimate 3000T White	20 x 15	10,020		12	6	0.7
3012351-T	Z-Ultimate 3000T White	20 x 20	8,331	Non-standard trims of 2.7 mm	16	8	0.7
3010847	Z-Ultimate 3000T White	20 x 20	8,240		12	6	0.7
3006096	Z-Ultimate 3000T White	20 x 180	3,980	Supplied 4 across	12	6	0.6
3006402*	Z-Ultimate 3000T White	20 x 185	3,880	Supplied 4 across	12	6	0.6
3007278	Z-Ultimate 3000T White	21 x 11	12,710		12	6	0.7
3004240	Z-Ultimate 3000T White	22 x 6	14,795		16	8	0.5
3005357	Z-Ultimate 3000T White	22 x 18	8,640		12	6	0.7
3010200	Z-Ultimate 3000T White	22 x Cont	1	Continuous	16	8	0.5
3005460	Z-Ultimate 3000T White	23 x 23	14,770	Round Supplied 2 across Non-Standard gap back of 1.606mm	12	6	0.7
3010189	Z-Ultimate 3000T White	23 x 30	5,500		12	6	0.8
3011412*	Z-Ultimate 3000T White	25 x 6	19,440		12	6	0.8
87989	Z-Ultimate 3000T White	25 x 7	29,010	Supplied 2 across	12	6	0.6
3010947	Z-Ultimate 3000T White	25 x 7	17,760		12	6	0.8
76146	Z-Ultimate 3000T White	25 x 9	13,360		12	6	0.7
3001392	Z-Ultimate 3000T White	25 x 10	10,000	Supplied 2 across	12	6	0.3
3007710	Z-Ultimate 3000T White	25 x 10	40,000	Supplied 3 across	12	4	2.3
3002533	Z-Ultimate 3000T White	25 x 10	14,300		12	6	0.8
3011791-T	Z-Ultimate 3000T White	25 x 11	14,429		12	6	0.8

*Perforation between labels

^ Fanfold Pack

Z-Ultimate 3000T White (continued)

Core: 76mm / 3" Outside Diameter: 200mm / 8" (Unless specified otherwise)

Part Number	Material Name	Size W x H (mm)	Labels per Roll	Special Features	MOQ (Rolls)	Order in Multiples of	Weight / Roll (KG)
880328-025	Z-Ultimate 3000T White	25 x 25	5,180		12	4	0.6
3010187	Z-Ultimate 3000T White	25 x 13	35,960	Supplied 3 across	12	6	0.8
880328-152	Z-Ultimate 3000T White	25 x 152	950		12	6	0.6
3007912	Z-Ultimate 3000T White	27 x 10	14,090		12	6	0.9
3012727-T	Z-Ultimate 3000T White	27 x 15	10,231		12	6	0.9
3008758	Z-Ultimate 3000T White	28 x 8	16,110		12	6	0.9
3006939	Z-Ultimate 3000T White	28 x 17	9,200		12	6	0.8
3005245	Z-Ultimate 3000T White	29 x 42	4,090		12	6	0.8
3013542-T	Z-Ultimate 3000T White	30 x 8	10,000	Supplied 2 across Short roll of 55.56M	12	4	0.6
3009787-T	Z-Ultimate 3000T White	30 x 10	13,990		12	6	1.0
3009937-T	Z-Ultimate 3000T White	30 x 12	11,260		12	6	0.9
3008713	Z-Ultimate 3000T White	30 x 20	7,780		12	6	0.9
3009572-T	Z-Ultimate 3000T White	30 x 22	21,640	Supplied 3 across	12	3	2.9
3011378	Z-Ultimate 3000T White	30 x 24	6,861		12	6	0.8
3011421	Z-Ultimate 3000T White	30 x 25	6,480	Left and right margin = 2.5mm each. Total web width = 35mm	12	6	1.0
3013135-T	Z-Ultimate 3000T White	30 x 30	4,557		12	6	0.8
3013335-T	Z-Ultimate 3000T White	30 x 30	11,108	Supplied 2 across	15	5	2.0
3013786-T	Z-Ultimate 3000T White	30 x 38	4,486		12	6	1.0
3011586	Z-Ultimate 3000T White	30 x 245	747		12	6	1.0
3013279-T	Z-Ultimate 3000T White	32 x 6	15,710		12	6	0.8
3008686	Z-Ultimate 3000T White	32 x 6	6,000		12	6	0.3
3009337-T	Z-Ultimate 3000T White	32 x 10	13,080		12	6	1.0
3006998	Z-Ultimate 3000T White	32 x 16	9,540		12	6	0.9
880330-019	Z-Ultimate 3000T White	32 x 19	6,742		12	12	7.6
880330-025	Z-Ultimate 3000T White	32 x 25	5,180		12	6	0.8
3009708-T	Z-Ultimate 3000T White	32 x Cont	1	Continuous	12	6	0.9
87738	Z-Ultimate 3000T White	35 x 8	17,350		15	5	1.1
3010257	Z-Ultimate 3000T White	35 x 12	11,540		15	5	1.0
3004055	Z-Ultimate 3000T White	38 x 7	14,510		12	6	0.9
200178	Z-Ultimate 3000T White	38 x 10	12,150	Square Corners	12	3	0.9
3013803-T*	Z-Ultimate 3000T White	38 x 13	11,664		12	6	1.2
3009782	Z-Ultimate 3000T White	38 x 17	9,110		12	6	1.1
76775	Z-Ultimate 3000T White	38 x 19	13,640	Supplied 2 across	12	6	0.0
3004538	Z-Ultimate 3000T White	38 x 89	1,620		12	6	0.9
3010685	Z-Ultimate 3000T White	38 x Cont	1	Continuous	12	6	1.0
3003275	Z-Ultimate 3000T White	40 x 15	9,540		12	6	1.2
3007003	Z-Ultimate 3000T White	40 x 20	5,000		12	6	0.7
3013463-T	Z-Ultimate 3000T White	40 x 25	6,861	Gap back of 1.9875mm	12	6	1.3
3012756-T	Z-Ultimate 3000T White	40 x 30	4,616		12	6	1.1
86608	Z-Ultimate 3000T White	40 x 40	4,266		15	5	1.2
3006738	Z-Ultimate 3000T White	40 x 60	2,860		15	5	1.2
3013243-T	Z-Ultimate 3000T White	40 x 100	1,500		12	6	1.1
3014038-T	Z-Ultimate 3000T White	41 x 125	1,458		12	6	1.3
3008120	Z-Ultimate 3000T White	44 x 17	2,000	Short roll length of 41.28M	12	6	1.3
3009585	Z-Ultimate 3000T White	44 x 19	8,240		12	6	1.4
3007228	Z-Ultimate 3000T White	44 x 22	7,150		12	6	1.4

*Perforation between labels

^ Fanfold Pack

Z-Ultimate 3000T White (continued)**Core: 76mm / 3" Outside Diameter: 200mm / 8" (Unless specified otherwise)**

Part Number	Material Name	Size W x H (mm)	Labels per Roll	Special Features	MOQ (Rolls)	Order in Multiples of	Weight / Roll (KG)
880334-031	Z-Ultimate 3000T White	44 x 32	4,240		12	4	1.0
880334-050	Z-Ultimate 3000T White	44 x 51	2,740		12	6	1.0
3009675-T	Z-Ultimate 3000T White	45 x 15	10,040		12	6	1.3
3004000	Z-Ultimate 3000T White	47 x 9	12,170		12	6	1.1
3008854	Z-Ultimate 3000T White	47 x 19	8,060		12	6	1.3
3011666-T	Z-Ultimate 3000T White	47 x 26	6,305		12	4	1.5
3009461-T	Z-Ultimate 3000T White	47 x 84	2,100		12	3	1.4
3012856-T	Z-Ultimate 3000T White	47 x Cont	1	Continuous	12	6	1.5
3001811	Z-Ultimate 3000T White	48 x 90	1,970		16	8	1.4
86010	Z-Ultimate 3000T White	50 x 15	8,160		12	6	1.2
3010984	Z-Ultimate 3000T White	51 x 6	19,240		12	6	1.5
3010055	Z-Ultimate 3000T White	51 x 10	14,980		12	6	1.5
76674	Z-Ultimate 3000T White	51 x 20	6,730		12	6	1.3
3001184*	Z-Ultimate 3000T White	51 x 25	6,360	Available from ZipShip without a perf between labels as part number 76535	12	6	1.4
880336-044	Z-Ultimate 3000T White	51 x 44	3,150		12	6	1.3
3013252-T	Z-Ultimate 3000T White	51 x 51	3,480		12	6	1.6
880336-057	Z-Ultimate 3000T White	51 x 57	2,486		12	6	1.2
76381	Z-Ultimate 3000T White	51 x 76	2,297		12	6	1.4
3013118-T	Z-Ultimate 3000T White	51 x 102	1,766		12	6	1.6
3012677-T	Z-Ultimate 3000T White	51 x 152	950		12	6	1.3
87568	Z-Ultimate 3000T White	54 x 86	2,169		12	6	1.8

*Perforation between labels

^ Fanfold Pack

Z-Ultimate 3000T White (continued)

Core: 76mm / 3" Outside Diameter: 200mm / 8" (Unless specified otherwise)

Part Number	Material Name	Size W x H (mm)	Labels per Roll	Special Features	MOQ (Rolls)	Order in Multiples of	Weight / Roll (KG)
200903	Z-Ultimate 3000T White	55 x 9	14,500	Square Corners	15	5	1.6
3008733	Z-Ultimate 3000T White	55 x 30	5,370		12	6	1.5
3012396-T	Z-Ultimate 3000T White	55 x 45	3,888		15	5	1.7
880338-019	Z-Ultimate 3000T White	57 x 19	6,742		15	5	1.4
3003557	Z-Ultimate 3000T White	57 x 44	3,810		15	5	1.7
3015150-T	Z-Ultimate 3000T White	57 x 44	3,810	With perforation	15	5	1.7
3011472	Z-Ultimate 3000T White	59 x 147	1,227		16	8	1.7
87539	Z-Ultimate 3000T White	60 x 30	5,000		12	6	1.6
880340-019	Z-Ultimate 3000T White	64 x 19	6,742		12	6	1.6
76031	Z-Ultimate 3000T White	64 x 44	3,560		12	4	1.7
3015508-T*	Z-Ultimate 3000T White	64 x 51	3,560		12	4	1.7
3011367	Z-Ultimate 3000T White	64 x 51	3,430		12	4	1.8
3016097-T	Z-Ultimate 3000T White	68 x 165	1,100		12	4	2.1
3010768	Z-Ultimate 3000T White	70 x 13	11,260		12	4	2.1
3008861	Z-Ultimate 3000T White	70 x 16	9,560		12	4	1.9
3011103	Z-Ultimate 3000T White	70 x 21	7,775		12	4	2.0
880342-038	Z-Ultimate 3000T White	70 x 38	3,634		12	4	1.6
3006657	Z-Ultimate 3000T White	70 x 51	3,370		12	4	2.1
3001263	Z-Ultimate 3000T White	70 x 127	750	Short roll length of 97M	12	4	1.0
880344-031	Z-Ultimate 3000T White	76 x 32	4,240		12	6	1.9
3014204-T	Z-Ultimate 3000T White	76 x 38	3,634		12	6	1.9
3004608	Z-Ultimate 3000T White	76 x 57	3,010		12	4	2.1
3004253*	Z-Ultimate 3000T White	76 x 76	1,880	Available from ZipShip without a perf between labels as part number 76015	12	4	1.7
3010961	Z-Ultimate 3000T White	76 x 102	1,750		12	6	2.1
3005278	Z-Ultimate 3000T White	76 x 258	700		12	6	2.1
3007603	Z-Ultimate 3000T White	80 x 14	10,250		12	4	2.2
3007804	Z-Ultimate 3000T White	80 x 40	4,170		12	4	2.2
3014174-T	Z-Ultimate 3000T White	80 x 85	2,000		12	4	2.4
3014089-T*	Z-Ultimate 3000T White	80 x 100	1,767		12	4	2.5
3012330	Z-Ultimate 3000T White	80 x Cont	1	Continuous	12	6	2.5
3004723	Z-Ultimate 3000T White	83 x 25	6,360		12	6	14.2
76846	Z-Ultimate 3000T White	84 x 8	12,500		12	4	1.8
3011558*	Z-Ultimate 3000T White	85 x 32	5,240		12	6	2.4
3005142	Z-Ultimate 3000T White	90 x 25	6,360		12	6	2.5
76301	Z-Ultimate 3000T White	90 x 38	4,418		12	6	2.5
76801	Z-Ultimate 3000T White	92 x Cont	1	Continuous	12	6	2.0

*Perforation between labels

^ Fanfold Pack

Z-Ultimate 3000T White (continued)

Core: 76mm / 3" Outside Diameter: 200mm / 8" (Unless specified otherwise)

Part Number	Material Name	Size W x H (mm)	Labels per Roll	Special Features	MOQ (Rolls)	Order in Multiples of	Weight / Roll (KG)
3007259	Z-Ultimate 3000T White	99 x 39	4,400		12	6	3.0
3011352	Z-Ultimate 3000T White	100 x 30	5,621		12	6	2.8
3002485	Z-Ultimate 3000T White	100 x Cont	1	Continuous	12	6	2.7
880350-012	Z-Ultimate 3000T White	102 x 13	11,664		12	4	3.1
880350-031	Z-Ultimate 3000T White	102 x 32	4,240		12	6	2.5
3011097	Z-Ultimate 3000T White	102 x 38	4,493		12	6	2.9
3003636	Z-Ultimate 3000T White	102 x 70	2,510		12	6	2.8
880350-076	Z-Ultimate 3000T White	102 x 76	1,890		12	6	2.3
3009537-T	Z-Ultimate 3000T White	102 x 83	2,140		12	6	2.8
880350-127	Z-Ultimate 3000T White	102 x 127	1,152		12	6	2.3
3009935-T*	Z-Ultimate 3000T White	102 x 152	1,180	Available from ZipShip without a perf between labels as part number 880350-152	12	6	2.8
3004519	Z-Ultimate 3000T White	102 x 165	1,080		12	6	3.0
3010520	Z-Ultimate 3000T White	102 x 203	890		12	6	2.8
3010138-T	Z-Ultimate 3000T White	102 x Cont	1	Continuous	12	4	2.7
76356	Z-Ultimate 3000T White	127 x 64	2,735		12	4	3.5
76349	Z-Ultimate 3000T White	127 x Cont	1	Continuous	12	4	2.8
3013374-T	Z-Ultimate 3000T White	130 x 20	8,331		12	4	3.9
3005536	Z-Ultimate 3000T White	140 x 203	880		12	4	3.8
3011780-T	Z-Ultimate 3000T White	160 x 25	6,571		12	4	4.9
3010240	Z-Ultimate 3000T White	170 x 110	1,630		12	2	4.7
3010241	Z-Ultimate 3000T White	175 x 254	710		12	1	4.8
3009647-T	Z-Ultimate 3000T White	210 x 299	610		12	2	5.8
3003239	Z-Ultimate 3000T White	215 x Cont	1	Continuous	12	2	5.7
3012331	Z-Ultimate 3000T White	220 x Cont	1	Continuous	12	2	6.6

*Perforation between labels

^ Fanfold Pack

Z-Perform 1000D**Core: 25mm / 1" Outside Diameter: 127mm / 5" (Unless specified otherwise)**

Item	Material Name	Size W x H (mm)	Labels per Roll	Special Features	Minimum Order Quantity (Rolls)	Order in Multiples of	Weight / Roll (KG)
3011387	Z-Perform 1000D	24 x 11	5,037		24	12	0.3
3004110	Z-Perform 1000D	25 x 76	960		24	12	0.3
3012789-T	Z-Perform 1000D	29 x 33	2,000		24	12	0.4
880169-012D	Z-Perform 1000D	32 x 13	4,650		24	12	0.4
880169-076D	Z-Perform 1000D	32 x 76	930		24	12	0.4
3003772-T	Z-Perform 1000D	35 x 149	480		24	12	0.4
3007189-T*	Z-Perform 1000D	38 x 13	5,050		24	12	0.5
880171-012D	Z-Perform 1000D	38 x 13	4,650		24	12	0.5
880171-019D	Z-Perform 1000D	38 x 19	3,300		24	12	0.5
880171-031D	Z-Perform 1000D	38 x 32	2,100		24	12	0.5
880595-076DU	Z-Perform 1000D	38 x 76	930		24	12	0.5
3005172-T	Z-Perform 1000D	40 x 21	3,200		24	12	0.5
3007678-T	Z-Perform 1000D	40 x 25	4,970	Supplied 2 across	24	12	0.9
3008503-T	Z-Perform 1000D	40 x 25	2,490		24	12	0.5
3012558-T	Z-Perform 1000D	40 x 40	1,675	4.45mm gap between labels	24	12	0.5
880173-012D	Z-Perform 1000D	44 x 13	4,650		24	12	0.5
880173-019D	Z-Perform 1000D	44 x 19	3,300		24	12	0.5
880173-082D	Z-Perform 1000D	44 x 83	860		24	12	0.5
3011447-T	Z-Perform 1000D	45 x 25	2,441		24	12	0.5
3012994-T	Z-Perform 1000D	50 x 20	3,234		24	12	0.6
3013222-T*	Z-Perform 1000D	50 x 20	3,350		24	12	0.6
3013290-T	Z-Perform 1000D	50 x 215	339	4.075mm gap between labels	24	12	0.6
880175-012D	Z-Perform 1000D	51 x 13	4,650		24	12	0.6
3006609*	Z-Perform 1000D	51 x 25	2,580		24	12	0.6
880175-025D	Z-Perform 1000D	51 x 25	2,580		24	12	0.6
3012230-T	Z-Perform 1000D	51 x 34	1,954		30	10	0.6
3008727-T	Z-Perform 1000D	51 x 38	1,730		24	12	0.6
3003392*	Z-Perform 1000D	51 x 51	1,410		24	12	0.6
3011661-T	Z-Perform 1000D	51 x 76	938		24	12	0.6
880599-101DU	Z-Perform 1000D	51 x 102	700		24	12	0.6
3012297-T*	Z-Perform 1000D	51 x 165	442		24	12	0.6
3010311-T*	Z-Perform 1000D	53 x 30	2,140		24	12	0.6
3011250-T*	Z-Perform 1000D	57 x 32	2,060		30	10	0.7

*Perforation between labels

Z-Perform 1000D (continued)

Core: 25mm / 1" Outside Diameter: 127mm / 5" (Unless specified otherwise)

Item	Material Name	Size W x H (mm)	Labels per Roll	Special Features	Minimum Order Quantity (Rolls)	Order in Multiples of	Weight / Roll (KG)
3007899-T*	Z-Perform 1000D	57 x 38	1,720		30	10	0.7
880177-038D	Z-Perform 1000D	57 x 38	1,790		30	10	0.7
880601-063DU	Z-Perform 1000D	57 x 64	1,100		30	10	0.7
3005758	Z-Perform 1000D	57 x 102	730		30	10	0.7
3012746-T	Z-Perform 1000D	60 x 50	1,400		30	10	0.7
3009731-T	Z-Perform 1000D	60 x Cont	1	Continuous	30	10	0.7
880179-025D	Z-Perform 1000D	64 x 25	2,580		30	10	0.8
880179-031D	Z-Perform 1000D	64 x 32	2,100		30	10	0.8
3011409-T*	Z-Perform 1000D	64 x 38	1,743		30	10	0.7
3007146-T	Z-Perform 1000D	65 x 35	2,000		30	10	0.8
880181-025D	Z-Perform 1000D	70 x 25	2,580		24	12	0.8
880181-038D	Z-Perform 1000D	70 x 38	1,790		24	12	0.8
3009384-T	Z-Perform 1000D	70 x 40	1,650		24	12	0.8
3008285-T	Z-Perform 1000D	76 x 16	3,740		24	12	0.9
880183-019D	Z-Perform 1000D	76 x 19	3,300		24	12	0.9
880607-025DU	Z-Perform 1000D	76 x 25	2,580		24	12	0.9
3011553-T	Z-Perform 1000D	76 x 29	2,136		24	12	0.8
880183-031D	Z-Perform 1000D	76 x 32	2,100		24	12	0.9
3010065-T*	Z-Perform 1000D	76 x 38	1,730		24	12	0.8
880183-063D	Z-Perform 1000D	76 x 64	1,100		24	12	0.9
3006553-T	Z-Perform 1000D	76 x 102	730		24	12	0.9
3012177-T*	Z-Perform 1000D	76 x 102	710		24	12	0.9
880183-127D	Z-Perform 1000D	76 x 127	565		24	12	0.9
3012578-T*	Z-Perform 1000D	76 x 127	571		24	8	0.9
3005170-T*	Z-Perform 1000D	76 x 152	490		24	12	0.9
3009629-T	Z-Perform 1000D	80 x 85	810		24	12	0.9
3006834-T	Z-Perform 1000D	80 x 148	510		24	12	1.0
3013375-T	Z-Perform 1000D	80 x 195	372	5.025mm gap between labels	24	12	1.0
3012236-T	Z-Perform 1000D	80 x Cont	1	Continuous	24	6	1.0
880185-031D	Z-Perform 1000D	83 x 32	2,100		24	12	1.0
3007695-1T	Z-Perform 1000D	83 x 38	1,720		24	12	0.9
880185-044D	Z-Perform 1000D	83 x 44	1,550		24	12	1.0
880185-050D	Z-Perform 1000D	83 x 51	1,370		24	12	1.0

*Perforation between labels

Z-Perform 1000D (continued)

Core: 25mm / 1" Outside Diameter: 127mm / 5" (Unless specified otherwise)

Item	Material Name	Size W x H (mm)	Labels per Roll	Special Features	Minimum Order Quantity (Rolls)	Order in Multiples of	Weight / Roll (KG)
3004817	Z-Perform 1000D	89 x 25	2,670		24	12	1.1
880187-031D	Z-Perform 1000D	89 x 32	2,100		24	12	1.0
880187-038D	Z-Perform 1000D	89 x 38	1,790		24	12	1.1
3004032	Z-Perform 1000D	89 x 51	1,410		24	12	1.1
3010789-T	Z-Perform 1000D	90 x 53	1,280		24	12	1.0
3009812-T	Z-Perform 1000D	90 x Cont	1	Continuous	24	12	1.0
3004329	Z-Perform 1000D	95 x 64	1,140		24	12	1.2
3010733-T	Z-Perform 1000D	96 x 16	3,740		24	6	1.1
3007266-T	Z-Perform 1000D	100 x 50	1,410		24	12	1.2
3007238-T	Z-Perform 1000D	100 x 110	310		24	12	0.6
3008205-1T	Z-Perform 1000D	100 x 125	560		24	12	1.1
3007766-T*	Z-Perform 1000D	100 x 210	330		24	12	1.1
3008031-T*	Z-Perform 1000D	102 x 19	3,200		24	12	1.2
3003482	Z-Perform 1000D	102 x 25	2,670		24	12	1.2
3011818-T	Z-Perform 1000D	102 x 35	1,954		24	6	1.2
3003372*	Z-Perform 1000D	102 x 51	1,410		24	12	1.2
880191-050D	Z-Perform 1000D	102 x 51	1,370		24	12	1.2
880191-063D	Z-Perform 1000D	102 x 64	1,100		24	12	1.2
3006610-T*	Z-Perform 1000D	102 x 102	730	Available without the perforation between labels from ZipShip as part number 880191-101D.	24	12	1.2
3007185-T	Z-Perform 1000D	102 x 127	500		24	12	1.1
3012178-T*	Z-Perform 1000D	102 x 165	442		24	12	1.2
3011363-T	Z-Perform 1000D	102 x 170	415		24	12	1.2
880191-177D	Z-Perform 1000D	102 x 178	405		24	12	1.2
3009724-T	Z-Perform 1000D	102 x 192	360		24	12	1.1
3003623	Z-Perform 1000D	102 x 203	370		24	12	1.2
3013497-T	Z-Perform 1000D	102 x Cont	1	Continuous	24	12	1.2
3003034	Z-Perform 1000D	104 x 20	3,430		24	12	1.3
3007689-T	Z-Perform 1000D	105 x 17	3,510		24	6	1.2
3007558-T	Z-Perform 1000D	105 x 162	430		24	12	1.2
3009479-T	Z-Perform 1000D	105 x 251	280		24	12	1.2

*Perforation between labels

Z-Perform 1000D Removable

Core: 25mm / 1" Outside Diameter: 127mm / 5" (Unless specified otherwise)

Item	Material Name	Size W x H (mm)	Labels per Roll	Special Features	Minimum Order Quantity (Rolls)	Order in Multiples of	Weight / Roll (KG)
880665-076DU	Z-Perform 1000D Removable	32 x 76	930		24	12	0.4
3012759-T	Z-Perform 1000D Removable	40 x 40	1,710	Non-standard gap back of 4.45mm	24	12	0.5
880381-019D	Z-Perform 1000D Removable	44 x 19	3,300		24	12	0.5
880381-025D	Z-Perform 1000D Removable	44 x 25	2,580		24	12	0.5
880671-025DU	Z-Perform 1000D Removable	51 x 25	2,580		24	12	0.6
3012885-T*	Z-Perform 1000D Removable	64 x 38	1,743		30	10	0.8
3013468-T	Z-Perform 1000D Removable	70 x 40	1,807		24	12	0.9
880677-044DU	Z-Perform 1000D Removable	70 x 44	1,550		24	12	0.8
3003231	Z-Perform 1000D Removable	70 x 57	1,000		24	12	0.7
3010231-T	Z-Perform 1000D Removable	75 x 55	1,200		24	12	0.8
3013563-T	Z-Perform 1000D Removable	76 x 25	2,660		24	12	0.9
3011576-T	Z-Perform 1000D Removable	76 x 51	1,408		24	12	0.9
880395-050D	Z-Perform 1000D Removable	89 x 51	1,370		24	12	1.1
3010210-T	Z-Perform 1000D Removable	102 x 38	1,690		24	12	1.1
880399-050D	Z-Perform 1000D Removable	102 x 51	1,370		24	12	1.2
880399-063D	Z-Perform 1000D Removable	102 x 64	1,100		24	12	1.2
3010739-T	Z-Perform 1000D Removable	102 x 76	880		24	12	1.1
3008069-T	Z-Perform 1000D Removable	102 x 102	670		24	12	1.1
880399-127D	Z-Perform 1000D Removable	102 x 127	565		24	12	1.2
3007350-T	Z-Perform 1000D Removable	102 x 152	450		24	12	1.1

*Perforation between labels

Z-Perform 1000T

Core: 25mm / 1" Outside Diameter: 127mm / 5" (Unless specified otherwise)

Item	Material Name	Size W x H (mm)	Labels per Roll	Special Features	Minimum Order Quantity (Rolls)	Order in Multiples of	Weight / Roll (KG)
3005848	Z-Perform 1000T	21 x 21	6,620	Supplied 2 across	24	12	0.6
3006758	Z-Perform 1000T	23 x 23	12,580	Supplied 4 across	24	12	1.2
3008839	Z-Perform 1000T	24 x 19	3,610		24	12	0.3
86986	Z-Perform 1000T	25 x 13	4,500		24	12	0.3
3013221	Z-Perform 1000T	25 x 18	3,948		24	12	0.4
3004076	Z-Perform 1000T	25 x 38	1,880		24	12	0.3
3013453-T	Z-Perform 1000T	29 x 10	6,341		24	12	0.4
3002961	Z-Perform 1000T	29 x 13	4,900		24	12	0.4
3001645	Z-Perform 1000T	30 x 51	1,440		28	14	0.4
880001-012D	Z-Perform 1000T	32 x 13	4,650		24	12	0.4
880001-019D	Z-Perform 1000T	32 x 19	3,300		24	12	0.4
880003-012D	Z-Perform 1000T	38 x 13	4,650		28	14	0.5
3012373-T	Z-Perform 1000T	38 x 18	4,024		24	12	0.5
3012140-T	Z-Perform 1000T	38 x 19	7,473	Supplied 2 across	24	12	1.0
880403-019DU	Z-Perform 1000T	38 x 19	3,300		24	12	0.5
3006648-T	Z-Perform 1000T	38 x 28	2,560		24	12	0.5
880003-031D	Z-Perform 1000T	38 x 32	2,100		24	12	0.5
3004382PI-T	Z-Perform 1000T	39 x 25	2,720		24	12	0.5
3009001-T	Z-Perform 1000T	40 x 21	3,370		24	12	0.5
3009003-T	Z-Perform 1000T	40 x 30	2,400		24	12	0.5
3002109	Z-Perform 1000T	40 x 50	1,480		24	12	0.5
880005-019D	Z-Perform 1000T	44 x 19	3,300		24	12	0.5
880005-025D	Z-Perform 1000T	44 x 25	2,580		24	12	0.5
880005-031D	Z-Perform 1000T	44 x 32	2,100		24	12	0.5
880005-050D	Z-Perform 1000T	44 x 51	1,370		24	12	0.5
3008910-T	Z-Perform 1000T	44 x 83	860		24	12	0.5
880405-095DU	Z-Perform 1000T	44 x 95	750		24	12	0.5
3004190-T	Z-Perform 1000T	50 x 26	2,720		24	12	0.6
880007-012D	Z-Perform 1000T	51 x 13	4,650		24	12	0.6
880007-019D	Z-Perform 1000T	51 x 19	3,300		24	12	0.6
87874*	Z-Perform 1000T	51 x 25	2,428		24	12	0.6
3004385PI-T	Z-Perform 1000T	51 x 32	2,230		24	12	0.6
880007-038D	Z-Perform 1000T	51 x 38	1,790		24	12	0.6
3007394-1T	Z-Perform 1000T	51 x 51	1,490		24	12	0.7
880007-076D	Z-Perform 1000T	51 x 76	930		24	12	0.6
3004954	Z-Perform 1000T	55 x 30	2,400		30	10	0.7
880009-025D	Z-Perform 1000T	57 x 25	2,580		30	10	0.7
800292-125*	Z-Perform 1000T	57 x 32	2,100	Available without the perforation between labels from ZipShip as part number 880409-031DU	30	10	0.7
880009-038D	Z-Perform 1000T	57 x 38	1,790		30	10	0.7
3007982-T	Z-Perform 1000T	58 x 38	1,940		30	10	0.7
86223	Z-Perform 1000T	60 x 22	2,500		30	10	0.6

*Perforation between labels

Z-Perform 1000T**Core: 25mm / 1" Outside Diameter: 127mm / 5" (Unless specified otherwise)**

Item	Material Name	Size W x H (mm)	Labels per Roll	Special Features	Minimum Order Quantity (Rolls)	Order in Multiples of	Weight / Roll (KG)
3006028-T	Z-Perform 1000T	60 x 30	2,400		30	10	0.8
86110	Z-Perform 1000T	60 x 39	1,630		30	10	0.7
880411-031DU	Z-Perform 1000T	64 x 32	2,100		30	10	0.7
3002496*	Z-Perform 1000T	64 x 38	1,880		30	10	0.8
880011-038D	Z-Perform 1000T	64 x 38	1,790		30	10	0.7
880411-101DU	Z-Perform 1000T	64 x 102	700		30	10	0.7
3011355-T	Z-Perform 1000T	65 x 25	2,906		30	10	0.9
880013-025D	Z-Perform 1000T	70 x 25	2,580		24	12	0.8
3007519-T	Z-Perform 1000T	70 x 32	2,300		24	12	0.9
3001080	Z-Perform 1000T	70 x 37	2,000		24	12	0.9
880013-044D	Z-Perform 1000T	70 x 44	1,550		24	12	0.8
3014042-T	Z-Perform 1000T	74 x 210	390		24	12	1.0
3004553	Z-Perform 1000T	75 x 22	2,500		24	12	0.7
3001163	Z-Perform 1000T	75 x 37	1,960		24	12	0.9
880015-025D	Z-Perform 1000T	76 x 25	2,580		24	12	0.9
880015-031D	Z-Perform 1000T	76 x 32	2,100		24	12	0.9
3007636-T	Z-Perform 1000T	76 x 35	2,100		24	12	1.0
3002335*	Z-Perform 1000T	76 x 38	1,880		24	12	0.9
880015-038D	Z-Perform 1000T	76 x 38	1,790		24	12	0.9
880015-044D	Z-Perform 1000T	76 x 44	1,550		24	12	0.9
800293-205*	Z-Perform 1000T	76 x 51	1,370		24	12	0.9
880015-050D	Z-Perform 1000T	76 x 51	1,370		24	12	0.9
880015-076D	Z-Perform 1000T	76 x 76	930		24	12	0.9
3008906-T	Z-Perform 1000T	76 x 102	770		24	12	1.0
3005731-T	Z-Perform 1000T	76 x 127	620		24	12	1.0
3011332-T	Z-Perform 1000T	76 x 152	506		24	12	1.0
3012625-T	Z-Perform 1000T	76 x Cont	1	Continuous	24	12	1.0
3013043-T	Z-Perform 1000T	80 x 17	4,103		24	12	1.1
3013126-T	Z-Perform 1000T	80 x 195	415	5.025mm gap between labels	24	12	1.1
880017-031D	Z-Perform 1000T	83 x 32	2,100		24	12	1.0
3004748	Z-Perform 1000T	83 x 38	1,880		24	12	1.0
3005476*	Z-Perform 1000T	83 x 38	1,880		24	12	1.0
880017-044D	Z-Perform 1000T	83 x 45	1,550		24	12	1.0
880017-076D	Z-Perform 1000T	83 x 76	930		24	12	1.0
87866	Z-Perform 1000T	83 x 140	485		24	12	0.9
3009179-T*	Z-Perform 1000T	85 x 55	1,370		24	12	1.0
880019-025D	Z-Perform 1000T	89 x 25	2,580		24	12	1.0
880019-031D	Z-Perform 1000T	89 x 32	2,100		24	12	1.0

*Perforation between labels

Z-Perform 1000T (continued)

Core: 25mm / 1" Outside Diameter: 127mm / 5" (Unless specified otherwise)

Item	Material Name	Size W x H (mm)	Labels per Roll	Special Features	Minimum Order Quantity (Rolls)	Order in Multiples of	Weight / Roll (KG)
880419-038DU	Z-Perform 1000T	89 x 38	1,790		24	12	1.0
880019-044D	Z-Perform 1000T	89 x 44	1,550		24	12	1.0
3006952-T	Z-Perform 1000T	89 x 48	1,580		24	12	1.1
3007226	Z-Perform 1000T	89 x 51	1,490		24	12	1.1
880019-088D	Z-Perform 1000T	89 x 89	800		24	12	1.0
3001552	Z-Perform 1000T	89 x 203	380		24	12	1.1
3009478-T	Z-Perform 1000T	90 x 60	1,230		24	12	1.1
3003469	Z-Perform 1000T	95 x 32	2,100		24	12	1.1
880021-063D	Z-Perform 1000T	95 x 64	1,100		24	12	1.1
3002270	Z-Perform 1000T	100 x 70	1,079		24	12	1.2
3013163-T	Z-Perform 1000T	100 x 90	901		24	12	1.3
3011251-T	Z-Perform 1000T	100 x 150	517	Inside wound	24	12	1.2
3013112-T	Z-Perform 1000T	101 x Cont	1	Continuous	24	12	1.3
880023-019D	Z-Perform 1000T	102 x 19	3,300		24	12	1.2
880023-025D	Z-Perform 1000T	102 x 25	2,580		24	12	1.2
880423-038DU	Z-Perform 1000T	102 x 38	1,790	Available with a perforation between labels from ZipShip as part number 800294-155.	24	12	1.1
3002765*	Z-Perform 1000T	102 x 51	1,440		24	12	1.2
3005461	Z-Perform 1000T	102 x 51	1,490		24	12	1.3
880023-076D	Z-Perform 1000T	102 x 76	930	Available from ZipShip with a perf between labels as part number 800294-305	24	12	1.1
880023-082D	Z-Perform 1000T	102 x 83	860		24	12	1.1
800294-505*	Z-Perform 1000T	102 x 127	565		24	12	1.2
3003728	Z-Perform 1000T	102 x 203	355		24	12	1.2
3005127	Z-Perform 1000T	102 x 302	260		24	12	1.3
3013056-T	Z-Perform 1000T	103 x Cont	1	Continuous	24	12	1.3
3007414-T*	Z-Perform 1000T	104 x 30	2,400		24	12	1.3

*Perforation between labels

Z-Perform 1000T Removable

Core: 25mm / 1" Outside Diameter: 127mm / 5" (Unless specified otherwise)

Item	Material Name	Size W x H (mm)	Labels per Roll	Special Features	Minimum Order Quantity (Rolls)	Order in Multiples of	Weight / Roll (KG)
3009296-T	Z-Perform 1000T Removable	15 x 40	5,400	Supplied 3 across	24	12	0.5
3011028-T	Z-Perform 1000T Removable	30 x 15	3,920		24	12	0.4
3003739	Z-Perform 1000T Removable	32 x 19	3,400		24	12	0.4
3011094-T	Z-Perform 1000T Removable	38 x 25	2,580		24	12	0.5
3004465	Z-Perform 1000T Removable	40 x 21	3,170		24	12	0.5
880333-031D	Z-Perform 1000T Removable	44 x 32	2,100		24	12	0.5
3009906-T	Z-Perform 1000T Removable	45 x 25	2,650		24	12	0.5
3008021-T	Z-Perform 1000T Removable	51 x 19	3,220		24	12	0.6
880431-025DU	Z-Perform 1000T Removable	51 x 24	2,580		24	12	0.6
880431-038DU	Z-Perform 1000T Removable	51 x 38	1,790		24	12	0.6
3008139-T	Z-Perform 1000T Removable	52 x 25	2,000		24	12	0.5
880433-019DU	Z-Perform 1000T Removable	57 x 19	3,300		30	10	0.7
880337-031D	Z-Perform 1000T Removable	57 x 32	2,100		30	10	0.7
3012779-T*	Z-Perform 1000T Removable	57 x 32	2,100		30	10	0.7
3006184	Z-Perform 1000T Removable	57 x 38	1,740		30	10	0.7
3012249-T	Z-Perform 1000T Removable	57 x 51	1,550		25	5	0.8
3009709-T*	Z-Perform 1000T Removable	61 x 25	2,610		30	10	0.7
880341-025D	Z-Perform 1000T Removable	70 x 25	2,580		24	12	0.8
3007420-T	Z-Perform 1000T Removable	70 x 30	2,150		24	12	0.8
3008003-T	Z-Perform 1000T Removable	70 x 32	2,050		24	12	0.8
3011274-T*	Z-Perform 1000T Removable	70 x 32	2,161		24	12	0.9
3012948-T	Z-Perform 1000T Removable	70 x 38	2,027		24	12	1.0
3011034-T*	Z-Perform 1000T Removable	75 x 37	1,000	4.275mm gap between labels. This item is available with a longer roll length and smaller box	32	32	0.5
3010890-T*	Z-Perform 1000T Removable	75 x 37	1,810	4.275mm gap between labels	24	12	0.9
880343-038D	Z-Perform 1000T Removable	76 x 38	1,790		24	12	0.9

*Perforation between labels

Z-Perform 1000T Removable (continued)

Core: 25mm / 1" Outside Diameter: 127mm / 5" (Unless specified otherwise)

Item	Material Name	Size W x H (mm)	Labels per Roll	Special Features	Minimum Order Quantity (Rolls)	Order in Multiples of	Weight / Roll (KG)
880343-050D	Z-Perform 1000T Removable	76 x 51	1,370		24	12	0.9
3013565-T	Z-Perform 1000T Removable	80 x 60	1,317		24	12	1.1
3008037-T	Z-Perform 1000T Removable	88 x 23	2,820		24	12	1.0
880347-050D	Z-Perform 1000T Removable	89 x 51	1,370		24	12	1.1
880351-031D	Z-Perform 1000T Removable	102 x 32	2,100		24	12	1.2
3006923	Z-Perform 1000T Removable	102 x 38	1,740		24	12	1.2
880447-050DU	Z-Perform 1000T Removable	102 x 51	1,370		24	12	1.2
3008495-T	Z-Perform 1000T Removable	102 x 102	680		24	12	1.2
3011180-T	Z-Perform 1000T Removable	102 x 152	485		24	12	1.2

Z-Ultimate 3000T White

Core: 25mm / 1" Outside Diameter: 127mm / 5" (Unless specified otherwise)

Item	Material Name	Size W x H (mm)	Labels per Roll	Special Features	Minimum Order Quantity (Rolls)	Order in Multiples of	Weight / Roll (KG)
3011418	Z-Ultimate 3000T White	6 x 6	8,855	Non-Standard trims of 7.5mm	12	12	0.3
87900	Z-Ultimate 3000T White	6 x 11	20,000	supplied 5 across	20	10	0.4
3010759	Z-Ultimate 3000T White	7 x 7	8,760	Non-Standard trims of 7mm Corner radius of 2.381mm	12	12	0.3
3011330	Z-Ultimate 3000T White	7 x 7	8,760	Non-Standard trims of 7mm Corner radius of 0.793mm	12	12	0.3
3013028	Z-Ultimate 3000T White	8 x 8	7,590	Non-Standard trims of 8.7mm	12	12	0.3
3011528	Z-Ultimate 3000T White	10 x 10	6,641	Non-Standard trims of 5.033mm	12	12	0.3
3011767	Z-Ultimate 3000T White	14 x 7	8,174	Non-standard trims of 2.55mm	12	12	0.3
3015295	Z-Ultimate 3000T White	15 x 15	4,427		12	12	0.2
3011771	Z-Ultimate 3000T White	15 x 20	3,542	Non-standard trims of 2.025mm	12	12	0.3
3003255	Z-Ultimate 3000T White	17 x 9	13,010	Supplied 2 across	12	12	0.5
3011150	Z-Ultimate 3000T White	18 x 18	3,864		12	12	0.3
3005519	Z-Ultimate 3000T White	19 x 6	8,670		12	12	0.3
3009761	Z-Ultimate 3000T White	20 x 20	3,760		12	12	0.3
3003855	Z-Ultimate 3000T White	22 x 18	3,930		12	12	0.3

*Perforation between labels

Z-Ultimate 3000T White**Core: 25mm / 1" Outside Diameter: 127mm / 5" (Unless specified otherwise)**

Item	Material Name	Size W x H (mm)	Labels per Roll	Special Features	Minimum Order Quantity (Rolls)	Order in Multiples of	Weight / Roll (KG)
3003322	Z-Ultimate 3000T White	22 x 19	3,720		20	10	0.3
3010803	Z-Ultimate 3000T White	23 x 13	4,040		12	12	0.3
3011268	Z-Ultimate 3000T White	23 x 16	4,427		12	12	0.3
3008212	Z-Ultimate 3000T White	25 x 7	7,340		12	12	0.3
3003253	Z-Ultimate 3000T White	25 x 13	5,200		12	12	0.3
3009284	Z-Ultimate 3000T White	25 x 20	3,540		12	12	0.3
3007156	Z-Ultimate 3000T White	25 x 25	2,890		12	12	0.3
3014631	Z-Ultimate 3000T White	25 x 30	2,530		12	12	0.4
3007949	Z-Ultimate 3000T White	25 x 32	2,330		12	12	0.3
86321	Z-Ultimate 3000T White	25 x 51	1,458		12	12	0.4
3012965	Z-Ultimate 3000T White	25 x 100	817		12	6	0.4
3005835	Z-Ultimate 3000T White	25 x 197	410		12	12	0.3
3014867-T	Z-Ultimate 3000T White	28 x 7	8,174		12	12	0.4
3014046-T	Z-Ultimate 3000T White	29 x 15	4,620		12	12	0.4
3005007	Z-Ultimate 3000T White	30 x 15	4,520		20	10	0.4
3008864	Z-Ultimate 3000T White	30 x 20	3,540	Plastic Cores	12	12	0.4
3007155	Z-Ultimate 3000T White	30 x 25	2,890	Left and right margin = 2.5mm each. Total web width = 35mm	12	12	0.4
3012362-T	Z-Ultimate 3000T White	30 x 30	2,530		12	12	0.4
3008632	Z-Ultimate 3000T White	30 x Cont	1	Continuous	12	12	0.4
3001223	Z-Ultimate 3000T White	31 x 21	3,470		12	12	0.4
3010662	Z-Ultimate 3000T White	32 x 6	6,000		12	12	0.3
3013869-T	Z-Ultimate 3000T White	32 x 19	3,795		12	12	0.5
3014882	Z-Ultimate 3000T White	33 x 212	390		12	12	0.5
3003185	Z-Ultimate 3000T White	38 x 6	8,670		12	12	1.0
880243-019D	Z-Ultimate 3000T White	38 x 19	3,300		12	12	0.4
880243-025D	Z-Ultimate 3000T White	38 x 25	2,580		12	12	0.4
3005558	Z-Ultimate 3000T White	40 x 10	6,310		12	12	0.5
3004945	Z-Ultimate 3000T White	40 x 15	4,520		12	12	0.6
3006716*	Z-Ultimate 3000T White	40 x 15	4,340	Non-standard gap back of 4.233mm	12	12	0.5
3002041	Z-Ultimate 3000T White	40 x 20	3,530		12	12	0.6
3010624	Z-Ultimate 3000T White	40 x 25	3,090		12	12	0.6
3013082-T	Z-Ultimate 3000T White	40 x 30	2,530		12	12	0.6

*Perforation between labels

Z-Ultimate 3000T White (continued)**Core: 25mm / 1" Outside Diameter: 127mm / 5" (Unless specified otherwise)**

Item	Material Name	Size W x H (mm)	Labels per Roll	Special Features	Minimum Order Quantity (Rolls)	Order in Multiples of	Weight / Roll (KG)
3010597	Z-Ultimate 3000T White	40 x 40	1,920		20	10	0.5
86359	Z-Ultimate 3000T White	45 x 14	4,730		12	12	0.6
3013208-T	Z-Ultimate 3000T White	45 x 16	4,427		12	12	0.7
3011017	Z-Ultimate 3000T White	45 x 35	2,190		12	12	0.6
3011334	Z-Ultimate 3000T White	50 x 30	2,530	Square Corners	12	12	0.7
3009593-T	Z-Ultimate 3000T White	50 x 40	1,930		12	12	0.7
3014668-T	Z-Ultimate 3000T White	50 x 60	1,328		12	12	0.7
3010576	Z-Ultimate 3000T White	51 x 6	8,760		12	12	0.7
86057	Z-Ultimate 3000T White	51 x 10	5,000	Wound inside	12	12	0.5
3006014*	Z-Ultimate 3000T White	51 x 13	4,550		12	12	0.6
880247-019D	Z-Ultimate 3000T White	51 x 19	3,300		12	12	0.6
3004897	Z-Ultimate 3000T White	51 x 51	1,550		12	12	0.6
3006623	Z-Ultimate 3000T White	51 x 76	1,040		12	12	0.7
3010636	Z-Ultimate 3000T White	52 x 32	2,390		12	12	0.7
3009783-T	Z-Ultimate 3000T White	55 x 30	2,500		12	12	0.7
3011242	Z-Ultimate 3000T White	56 x 178	466		20	10	0.7
880249-082D	Z-Ultimate 3000T White	57 x 83	860		20	10	0.7
3008900	Z-Ultimate 3000T White	60 x 15	4,570		12	12	0.8
3011376	Z-Ultimate 3000T White	60 x 25	2,951		15	15	0.9
3011104	Z-Ultimate 3000T White	60 x 40	1,992		15	5	0.9
3011721	Z-Ultimate 3000T White	60 x 75	1,084		12	12	0.9
3011368	Z-Ultimate 3000T White	64 x 32	2,100		12	12	0.7
3008582	Z-Ultimate 3000T White	70 x 24	3,070		12	4	1.0
3014614-T	Z-Ultimate 3000T White	70 x 51	1,562		12	12	1.0
3011605-T*	Z-Ultimate 3000T White	70 x 150	553	Inside wound	12	12	0.9
3010522	Z-Ultimate 3000T White	70 x 200	410		12	12	0.9
3009840-T	Z-Ultimate 3000T White	73 x 25	2,920		12	12	0.9
3013356-T	Z-Ultimate 3000T White	75 x 150	553		12	12	1.1
3001975	Z-Ultimate 3000T White	76 x 19	1,000		12	12	0.3
3007070	Z-Ultimate 3000T White	76 x 38	2,000		12	12	1.0
3013229-T	Z-Ultimate 3000T White	76 x 102	804		12	12	1.1

*perforation between labels

Z-Perform Ultimate 3000T White (continued)

Core: 25mm / 1" Outside Diameter: 127mm / 5" (Unless specified otherwise)

Item	Material Name	Size W x H (mm)	Labels per Roll	Special Features	Minimum Order Quantity (Rolls)	Order in Multiples of	Weight / Roll (KG)
3010771	Z-Ultimate 3000T White	76 x 203	400		12	12	1.0
3013857-T	Z-Ultimate 3000T White	77 x 10	6,440		16	8	1.1
3003182	Z-Ultimate 3000T White	79 x 33	2,260		12	12	1.0
3012655-T	Z-Ultimate 3000T White	80 x 30	2,530		12	12	1.1
880257-025D	Z-Ultimate 3000T White	83 x 25	2,580		12	12	0.9
880259-025D	Z-Ultimate 3000T White	90 x 25	2,580		12	12	1.0
880259-031D	Z-Ultimate 3000T White	90 x 32	2,100		12	12	1.0
3006968	Z-Ultimate 3000T White	100 x 150	540		12	12	1.2
3011399	Z-Ultimate 3000T White	100 x Cont	1	Continuous	12	12	1.1
3007623	Z-Ultimate 3000T White	102 x 13	5,130		12	12	1.4
3001224	Z-Ultimate 3000T White	102 x 25	2,890		12	12	1.3
3010175	Z-Ultimate 3000T White	102 x 38	2,020		12	6	1.3
3010744*	Z-Ultimate 3000T White	102 x 38	2,020		12	12	1.3
3015392-T*	Z-Ultimate 3000T White	102 x 38	1,650		12	12	1.3
3006786	Z-Ultimate 3000T White	102 x 45	1,730		12	12	1.4
3013882-T*	Z-Ultimate 3000T White	102 x 51	1,562		12	12	1.4
3002376	Z-Ultimate 3000T White	102 x 64	1,240		12	12	1.4
3002085	Z-Ultimate 3000T White	102 x 70	1,140		12	12	1.3
880261-101D	Z-Ultimate 3000T White	102 x 102	700		12	12	1.2
3010459*	Z-Ultimate 3000T White	102 x 127	640		12	12	1.3
880261-152D	Z-Ultimate 3000T White	102 x 152	475		12	6	1.1
3015216-T	Z-Ultimate 3000T White	104 x 30	2,530		12	12	1.5

*perforation between labels