



# VALOR™ 1000

Compact Bench Scales



Dual display  
for approved models



## **Reliable Food-Safe Scale for Dry Environments**

With a food-safe design that is NSF-certified and supports a HACCP system, the Valor 1000 Series is a reliable choice for general food weighing. Easy-to-operate Valor 1000 scales feature two-button operation, a large backlit LCD display and up to 1 500-hour battery life.

### **Unique Features:**

- NSF certified, USDA-AMS accepted design supports HACCP systems, making Valor 1000 perfect for food preparation tasks. Stainless steel pans and plastic in-use covers available for extra protection.
- Save money on batteries. Energy-efficient design operates for up to 1 500 hours.
- Intuitive two-button operation allows for quick weight checking to simplify repetitive operations and increase operator efficiency.

# VALOR™ 1000 - V12P Compact Bench Scales

Model	V12P3	V12P6	V12P15	V12P30
Item number	30539394	30539395	30539396	30539397
Capacity x Readability (Max x d non-approved)	3 kg x 0.0005 kg 3 000 g x 0.5 g	6 kg x 0.001 kg 6 000 g x 1 g	15 kg x 0.002 kg 15 000 g x 2 g	30 kg x 0.005 kg 30 000 g x 5 g
Maximum Displayed Resolution	1:6 000		1:7 500	1:6 000
Model	V12P3T-M	V12P6T-M	V12P15T-M	V12P30T-M
Item number	30554438	30554439	30554440	30554441
Capacity X Readability (Max x e approved)	3 kg x 0.001kg 3 000 g x 1 g	6 kg x 0.002 kg 6 000 g x 2 g	15 kg x 0.005 kg 15 000 g x 5 g	30 kg x 0.01 kg 30 000 g x 10 g
Weighing Units	g, kg, lb, oz, lb:oz For approved version g, kg available only			
Certified Resolution	1:3 000			
Application Mode	Weighing			
Tare Range	To capacity by subtraction			
Stabilization Time	≤2 seconds			
Power requirements	Four Type D Alkaline batteries (included), AC adapter (optional) or rechargeable battery kit (optional)			
Calibration	Digital with external weight			
Battery Life	1 500 hours (with backlight turned off) 750 hours for T models (with backlight turned off)			
Construction	ABS plastic housing and stainless steel pan			
Safe Overload Capacity	150% of capacity			
Communication	Optional RS232 (available only for approved models)			
Specified Temperature Range	0 to 40 °C			
Display	Single display - LCD with white backlight On T models, rear display - LCD with white backlight			
Display Size	25.4 mm			
Pan Size	245 x 190 mm			
Scale Dimensions (W x D x H)	260 x 270 x 122 mm			
Shipping Dimensions (W x D x H)	319 x 319 x 175 mm			
Net Weight	2.5 kg			
Shipping Weight	3.1 kg			

## Other Standard Features and Equipment

Digital with external weight, integrated level bubble and adjustable feet, selectable Auto-Off, selectable weighing units and integrated carrying handles for easy transportation

## Compliance

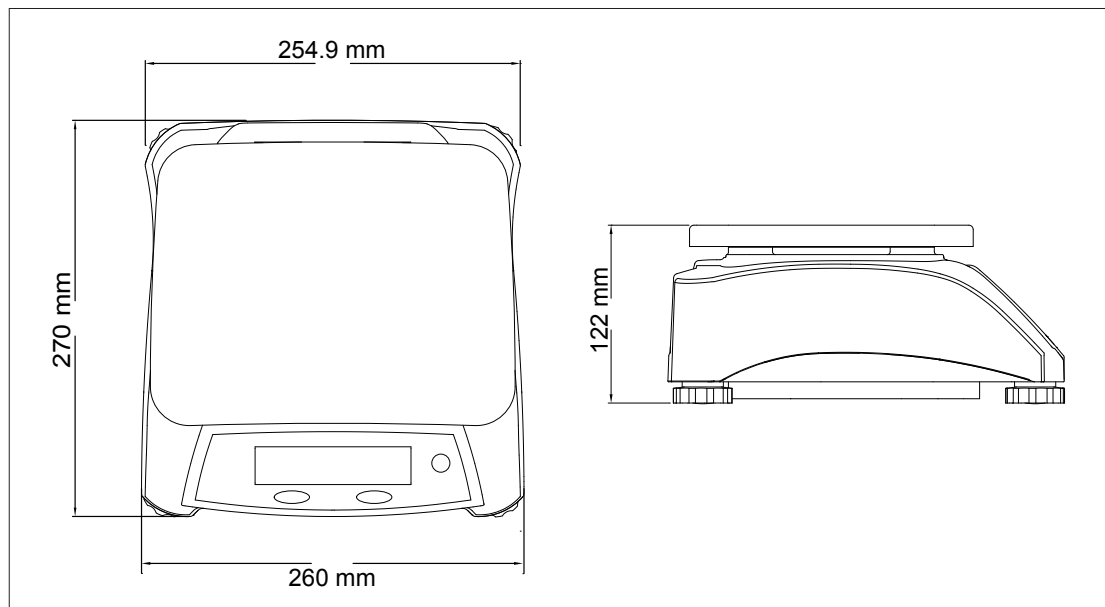
- **Metrology:** OIML/EC
- **Product Safety:** IEC/EN 61010-1; UL certified power supply
- **Electromagnetic Compatibility:** EN/IEC 61326-1 Class B, Basic environments
- **Food Equipment:** ANSI/NSF 169
- **Compliance Marks:** CE; NSF; WEEE

## Accessories

Rechargeable Battery Kit.....	30559104	Adapter, 10W, 12DVC, Main Body.....	46001812
In-use Cover (1) .....	30559105	EU-UK Plug .....	46001779
In-use Cover (10).....	30559106	Stainless Steel Platform, 300 x 225 mm	
RS232 Interface, 1.5m cable(for approved models) .....	30559103	(for non-approved models)*.....	30559107

\*Approved models need reverification once 300 x 225 mm stainless steel platform is installed.

## Outline Dimensions



80776378\_E 20231017 © Copyright OHAUS Corporation

OHAUS Europe GmbH

e-mail: ssc@ohaus.com  
Tel: 0041 22 567 53 19  
e-mail: tsc@ohaus.com  
Tel: 0041 22 567 53 20

[www.ohaus.com](http://www.ohaus.com)

The management system governing the manufacture of this product is ISO 9001:2015 certified.

