

E514693

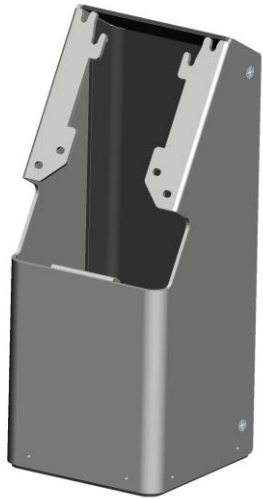
ELO-SELF-SERV-STAND-SLIM-COUNTERTOP

E514881

ELO-SELF-SERV-STAND-SLIM-FLOOR-TOP

E515260

ELO-SELF-SERV-STAND-SLIM-FLOOR-BASE



Head Assembly
Qty. 1



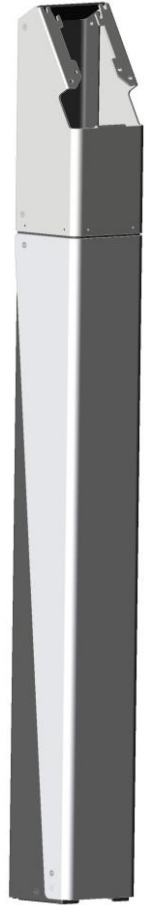
Tie-wrap
Qty. 2



Countertop Base
Qty. 1

Screws / Mounting hardware		
Bag I	Qty.8	SCREW, M4X8L, PAN-HEAD, CROSS-RECESS
Bag L	Qty.4	SCREW, M4X6L, PAN-HEAD, CROSS-RECESS
Bag M	Qty.4	SCREW, M4X18L, PAN-HEAD, CROSS-RECESS
Bag N	Qty.4	SCREW, M4X12L, PAN-HEAD, CROSS-RECESS

Panel Hardware	
Qty.2	SCREW, M6X14, PAN-HEAD, CROSS-RECESS
Qty.2	BACKER BOARD SPACER
Qty.2	THUMB SCREW



Tower Assembly
Qty. 1



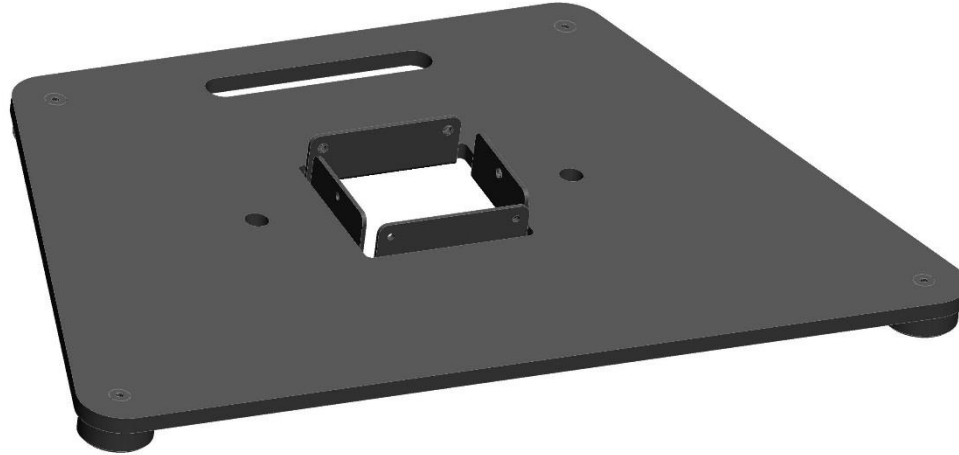
Straps
Qty. 1



Tie-wrap
Qty. 2

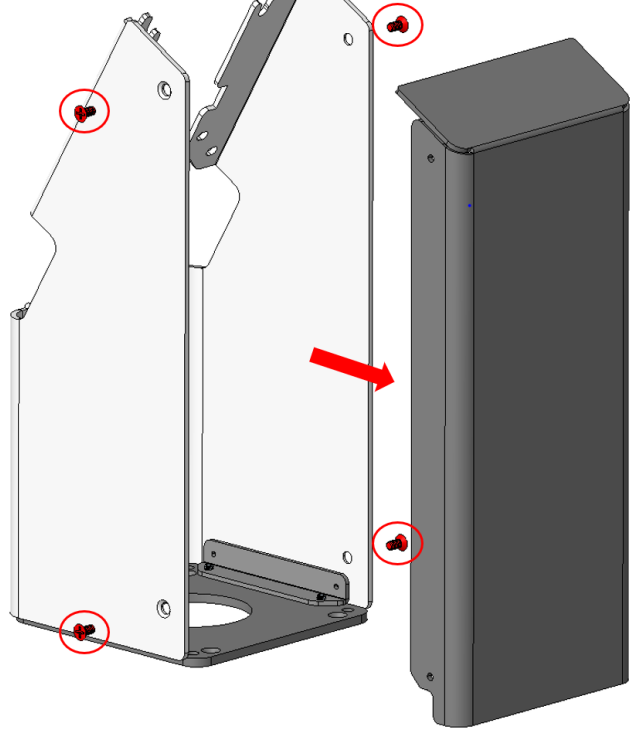
Screws / Mounting hardware		
Bag I	Qty.8	SCREW, M4X8L, PAN-HEAD, CROSS-RECESS
Bag L	Qty.4	SCREW, M4X6L, PAN-HEAD, CROSS-RECESS
Bag M	Qty.4	SCREW, M4X18L, PAN-HEAD, CROSS-RECESS
Bag N	Qty.4	SCREW, M4X12L, PAN-HEAD, CROSS-RECESS
Bag K	Qty.6	SCREW M5X12 FLAT HEAD, CROSS-RECESS, BLACK

Panel Hardware	
Qty.2	SCREW, M6X14, PAN-HEAD, CROSS-RECESS
Qty.2	BACKER BOARD SPACER
Qty.2	THUMB SCREW



Base plate
Qty. 1

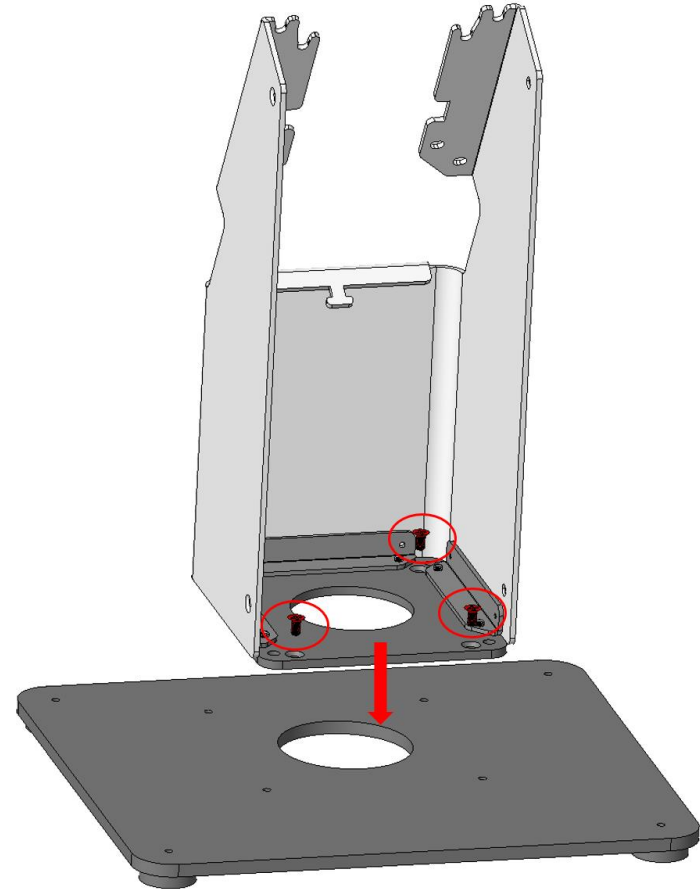
1



Remove and save (4) screws from stand with provided hex wrench, pull off rear cover.

For Floor Stand, skip to step 5
For Countertop Stand, continue to step 2

2

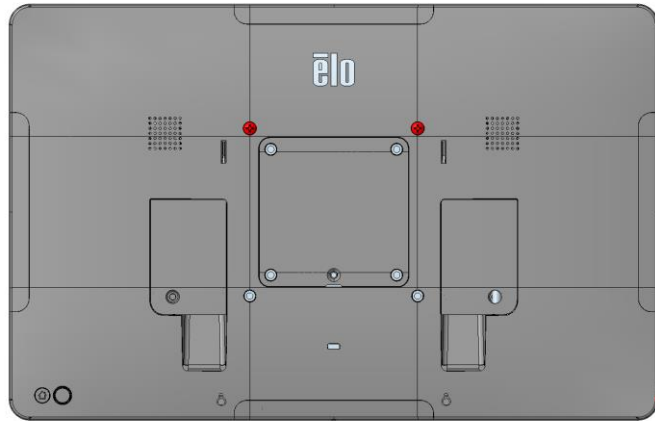


Attach head to counter top plate using (4) screws from bag "1".

3

Android Landscape
(For Portrait, go to step 5)

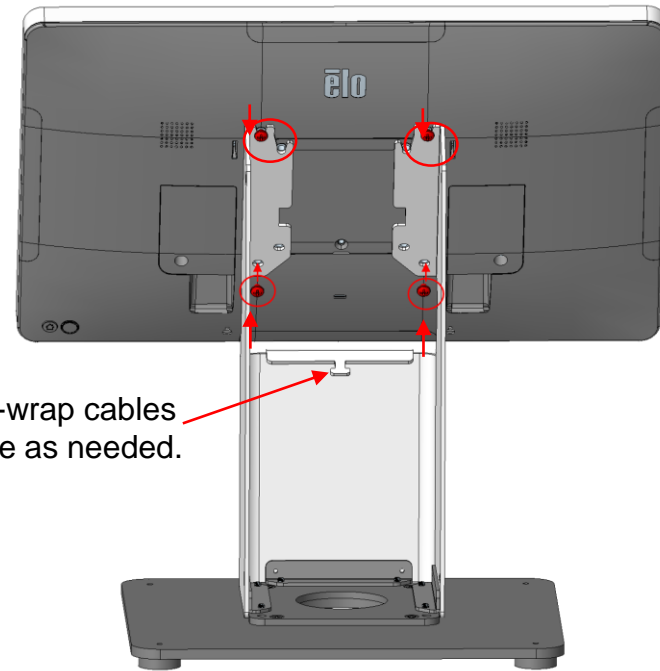
Top Landscape



↓ Cable direction

Add (2) screws from bag “L” to top VESA positions. Leave ~3mm (1/8”) gap for mounting to display bracket.

4



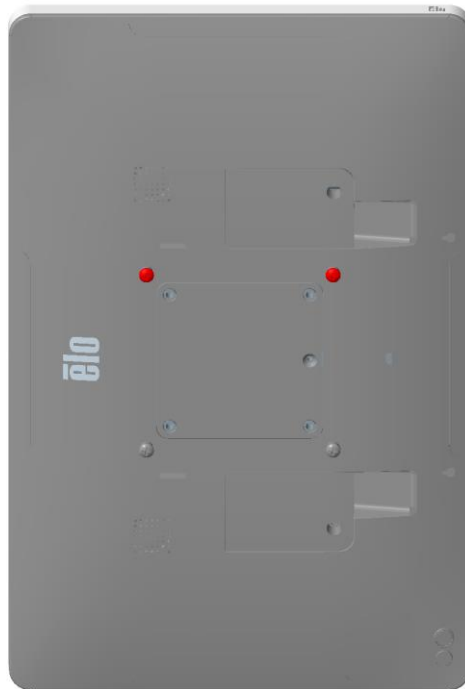
Tie-wrap cables here as needed.

Assemble the display to top slotted holes on stand. Add additional (2) screws from bag “L” to bottom VESA mount holes to secure the display.

5

Android Portrait

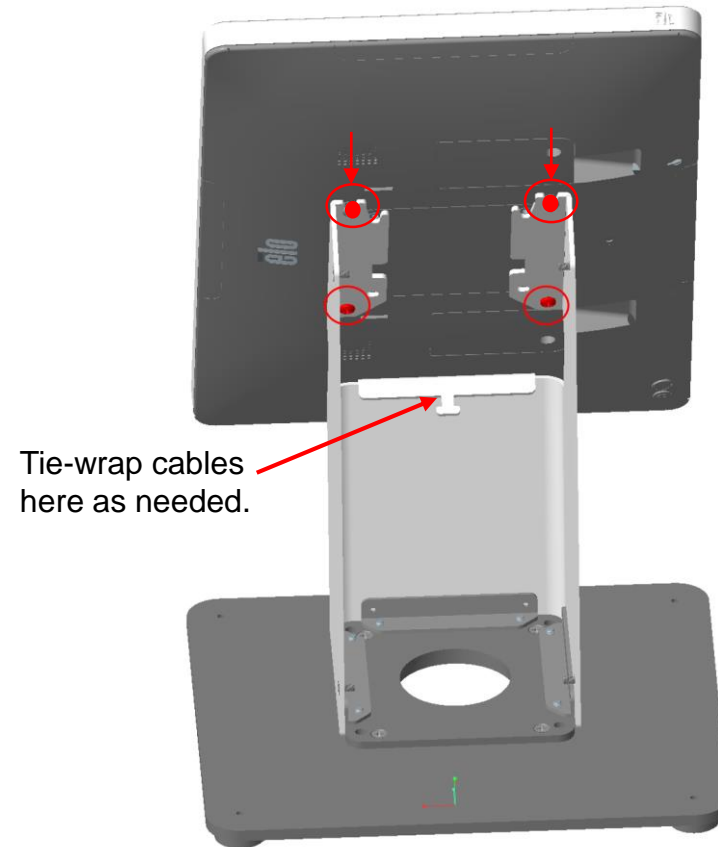
Top Portrait



Cable
direction
→

Add (2) screws from bag “L” to top VESA positions. Leave ~3mm (1/8”) gap for mounting to display bracket.

6



Tie-wrap cables here as needed.

Assemble the display to top slotted holes on stand. Add additional (2) screws from bag “L” to bottom VESA mount holes to secure the display.

7

Windows Landscape (For Portrait, go to step 9)

15" Landscape



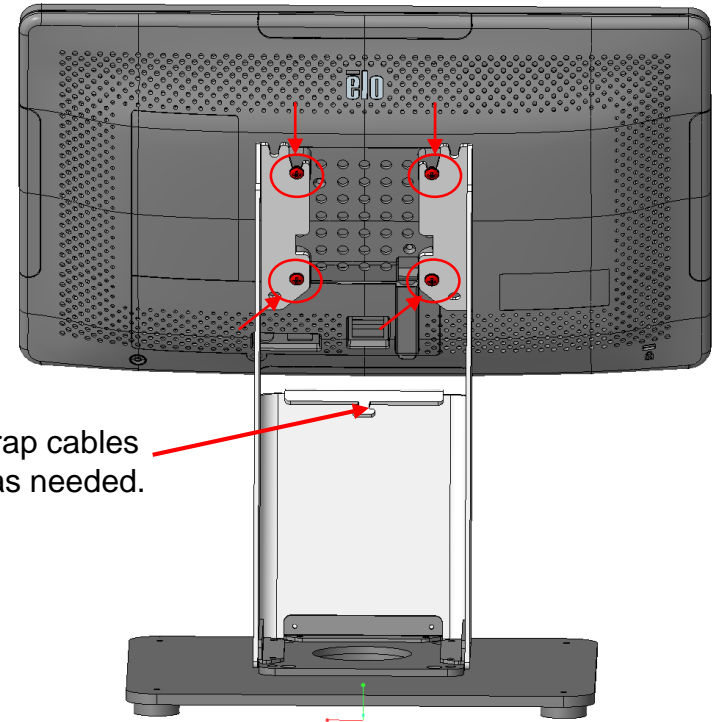
22" Landscape



15": add (2) screws from bag "M" to top 75mm VESA positions.
22": add (2) screws from bag "N" to top 75mm VESA positions.

Leave ~3mm (1/8") gap for mounting to display bracket.

8



Tie-wrap cables here as needed.

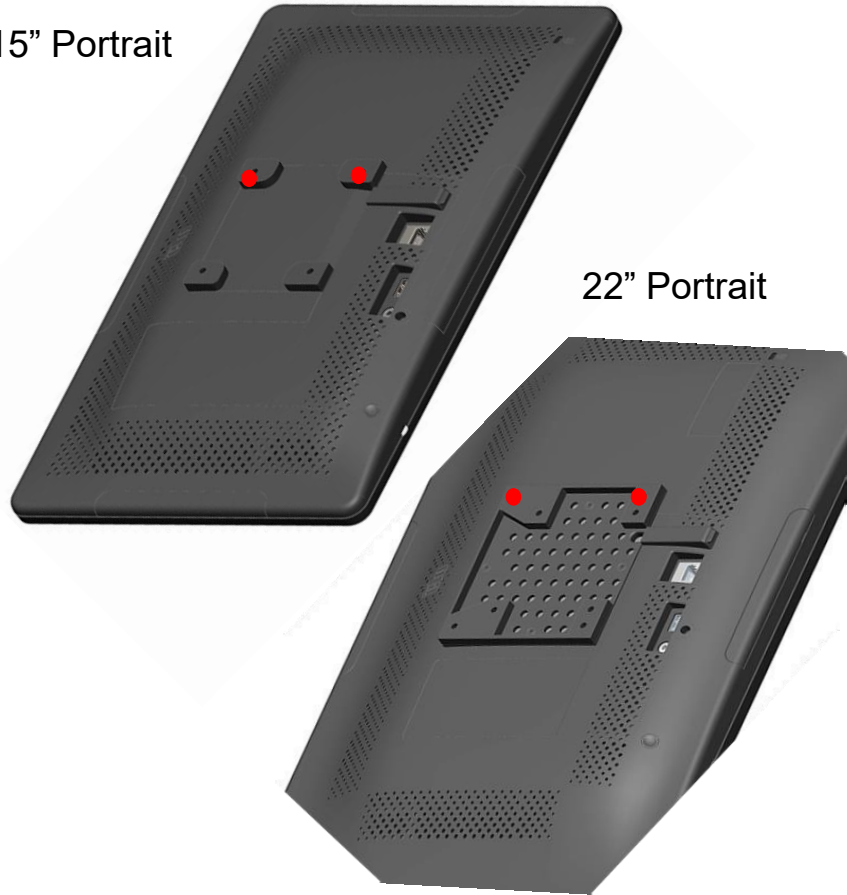
Assemble the display to top slotted holes on stand. Add additional (2) screws from bag "L" to bottom VESA mount holes to secure the display.

9

Windows Portrait

15" Portrait

22" Portrait

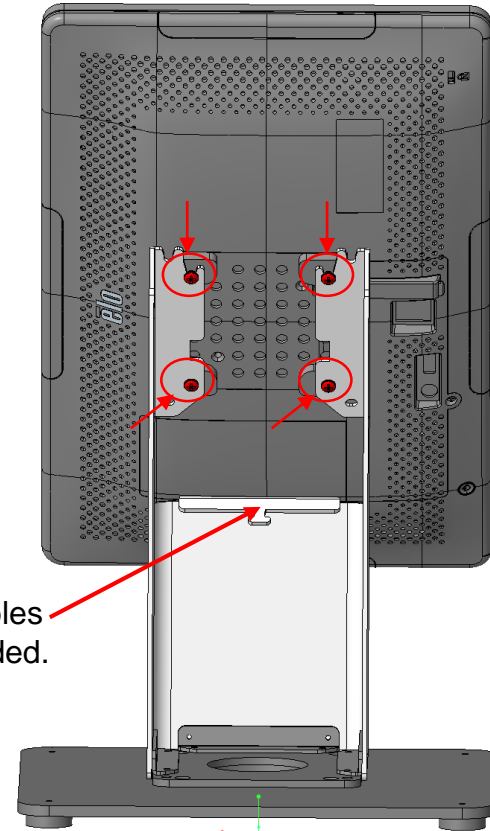


15": add (2) screws from bag "M" to top 75mm VESA positions.
 22": add (2) screws from bag "N" to top 100mm VESA positions.

Leave ~3mm (1/8") gap for mounting to display bracket.

10a

15" Portrait

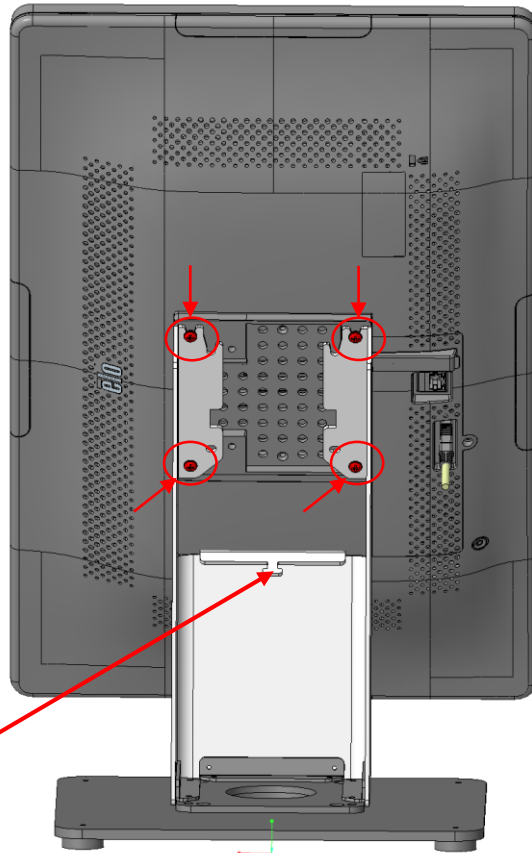


Tie-wrap cables here as needed.

Assemble the display to top slotted holes on stand.
 Add additional (2) screws from bag "L" to bottom VESA mount holes to secure the display.

10b

22" Portrait



Tie-wrap cables here as needed.

Assemble the display to top slotted holes on stand. Add additional (2) screws from bag "L" to bottom VESA mount holes to secure the display.

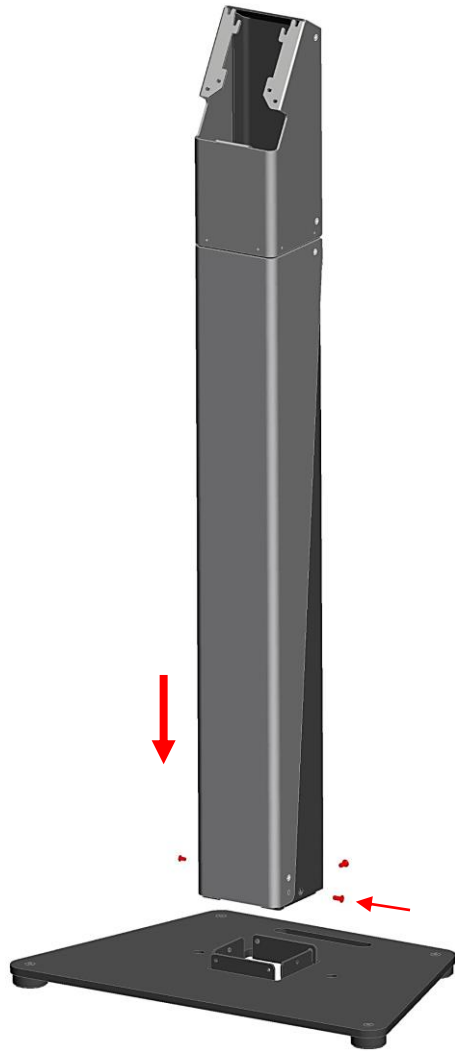
11



Route cables through bottom of stand. Attach back cover using screws saved from step 1.

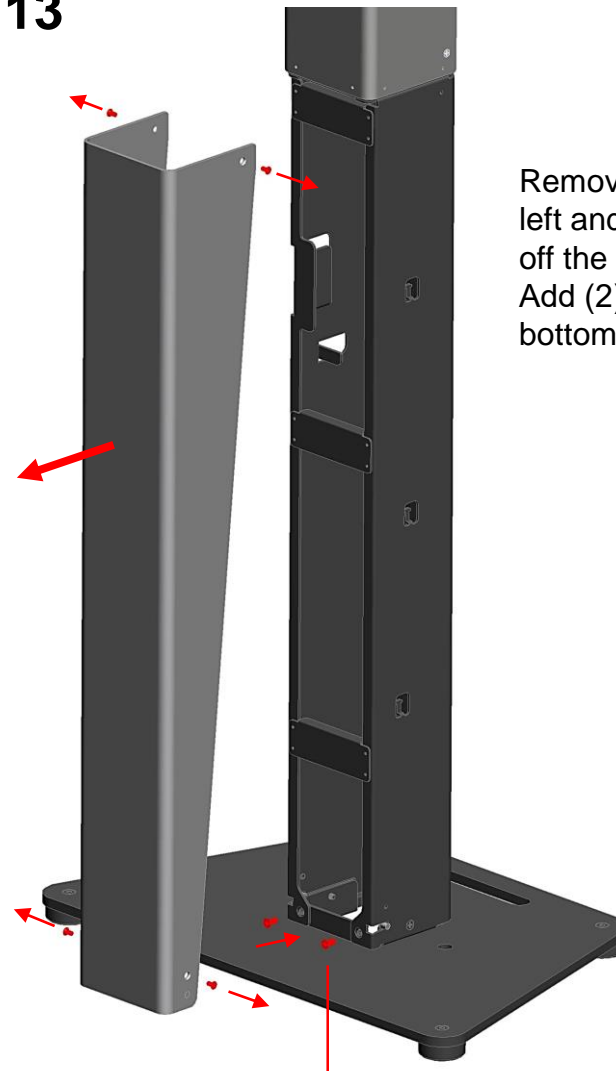
END for Countertop Stand

12



Assemble base plate to tower using (4) screws from bag "K".

13



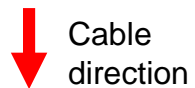
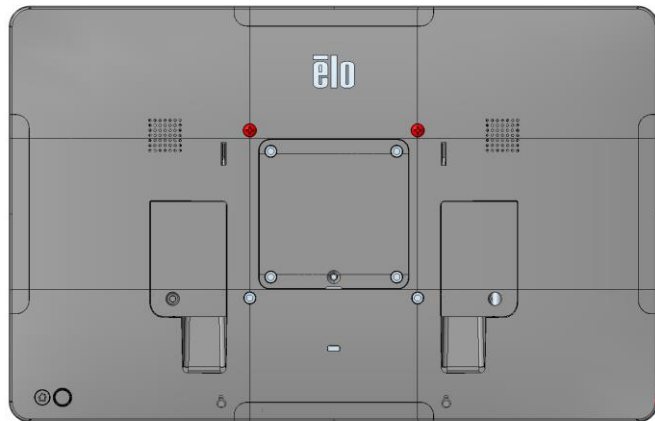
Remove and save (4) screws on the left and right of the stand tower. Pull off the silver cover and set aside. Add (2) more screws from bag "K" at bottom front of tower.

Add (2) more screws from bag "K".

14

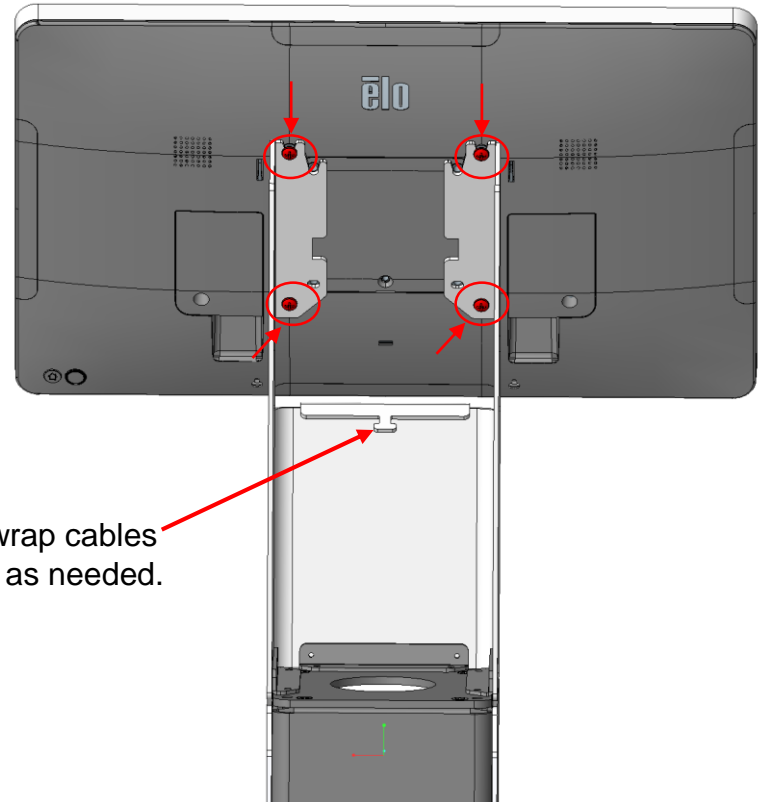
Android Landscape
(For Portrait, go to step 16)

Top Landscape



Add (2) screws from bag “L” to top VESA positions. Leave ~3mm (1/8”) gap for mounting to display bracket.

15



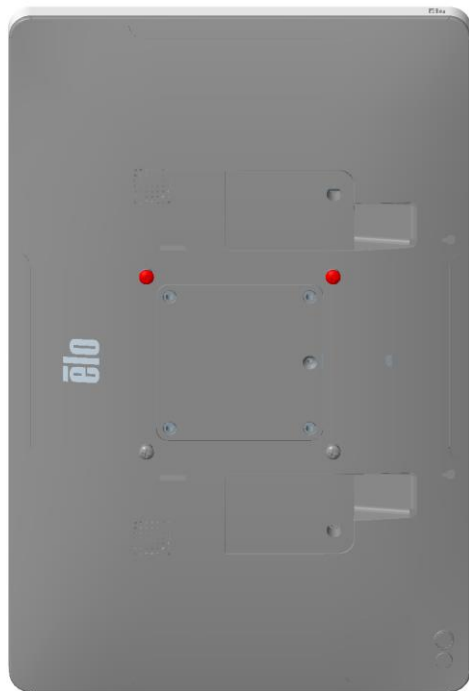
Tie-wrap cables here as needed.

Assemble the display to top slotted holes on stand. Add additional (2) screws from bag “L” to bottom VESA mount holes to secure the display.

16

Android Portrait

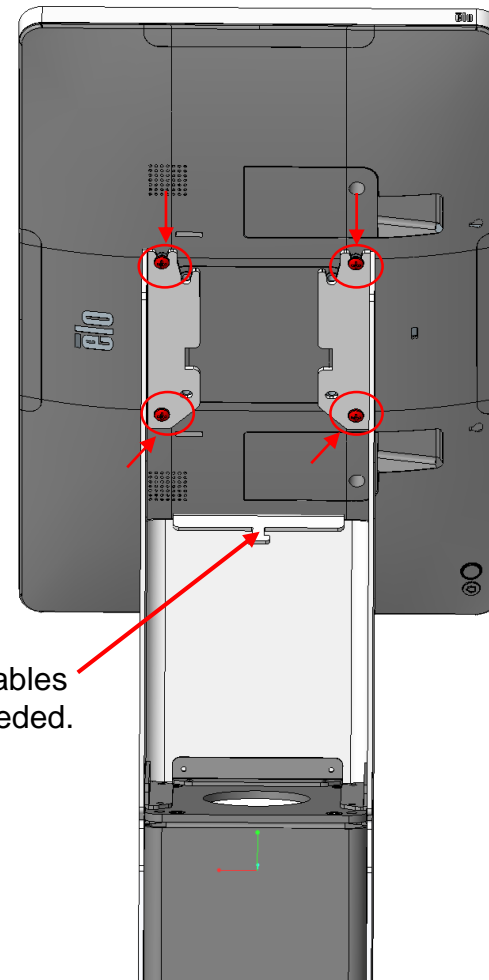
Top Portrait



Cable direction


Add (2) screws from bag “L” to top VESA positions. Leave ~3mm (1/8”) gap for mounting to display bracket.

17



Tie-wrap cables here as needed.

Assemble the display to top slotted holes on stand. Add additional (2) screws from bag “L” to bottom VESA mount holes to secure the display.

18

Windows Landscape
(For Portrait, go to step 20)

15" Landscape



22" Landscape

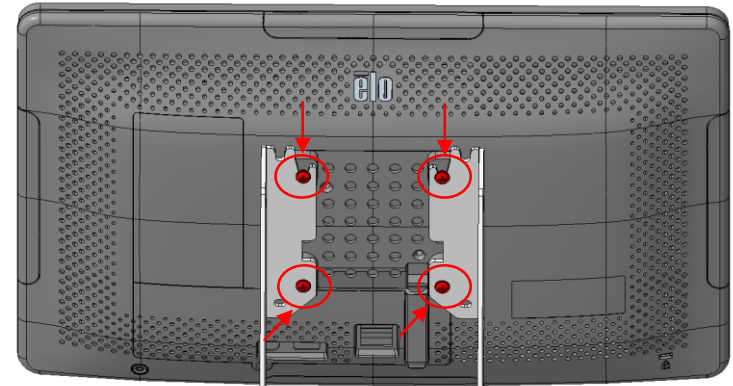


15": add (2) screws from bag "M" to top 75mm VESA positions.
22": add (2) screws from bag "N" to top 75mm VESA positions.

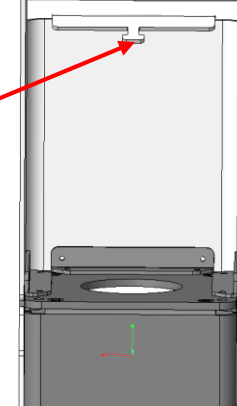
Leave ~3mm (1/8") gap for mounting to display bracket.

19

15"/22" Landscape



Tie-wrap cables here as needed.



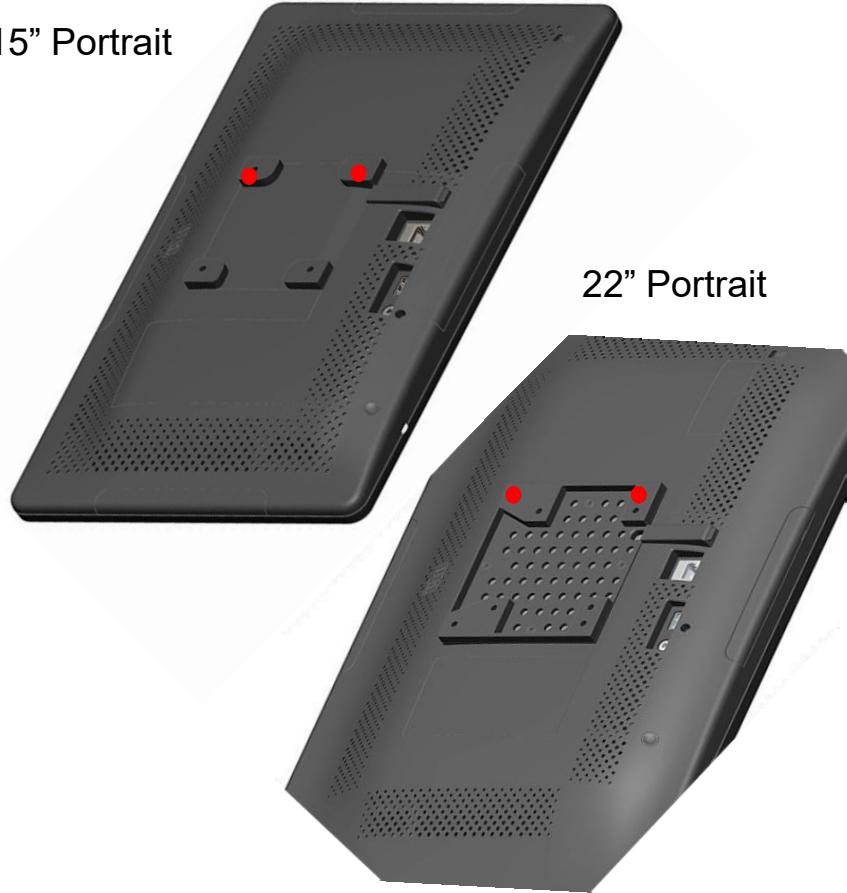
Assemble the display to top slotted holes on stand. Add additional (2) screws from bag "L" to bottom VESA mount holes to secure the display.

20

Windows Portrait

15" Portrait

22" Portrait

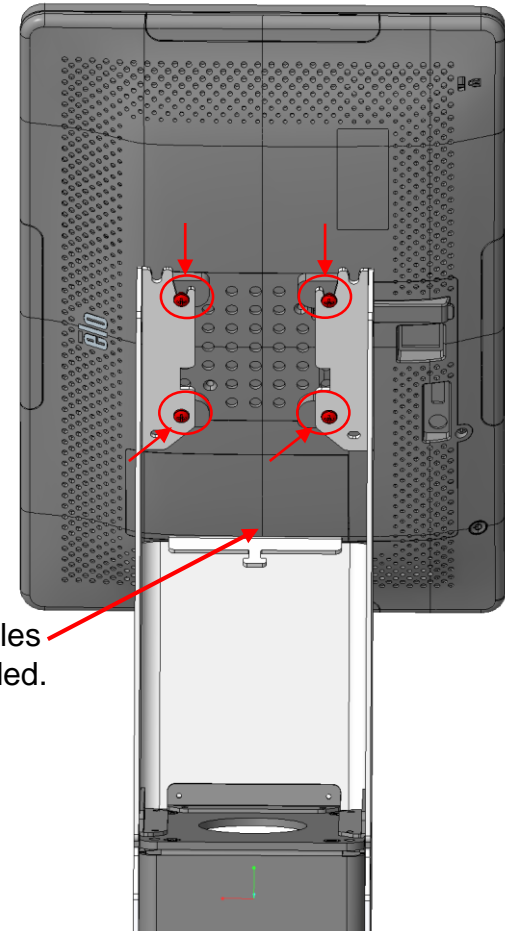


15": add (2) screws from bag "M" to top 75mm VESA positions.
 22": add (2) screws from bag "N" to top 100mm VESA positions.

Leave ~3mm (1/8") gap for mounting to display bracket.

21a

15" Portrait

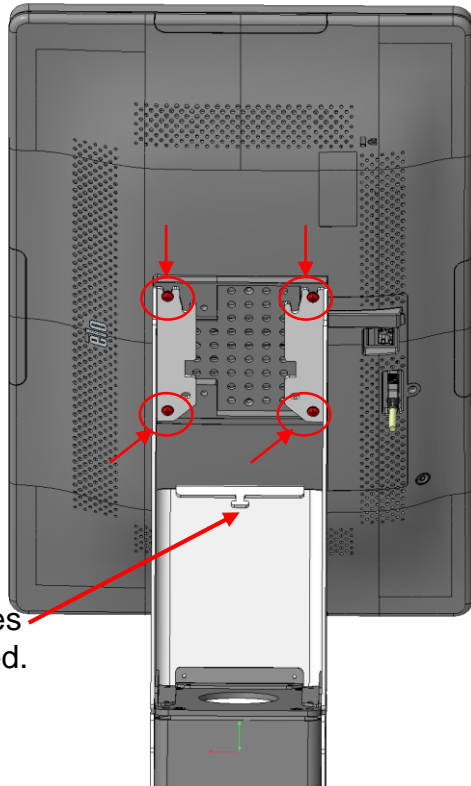


Tie-wrap cables here as needed.

Assemble the display to top slotted holes on stand.
 Add additional (2) screws from bag "L" to bottom VESA mount holes to secure the display.

21b

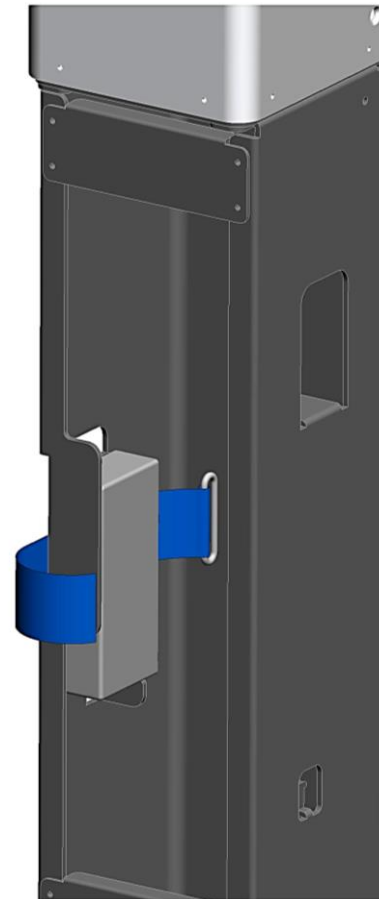
22" Portrait



Tie-wrap cables here as needed.

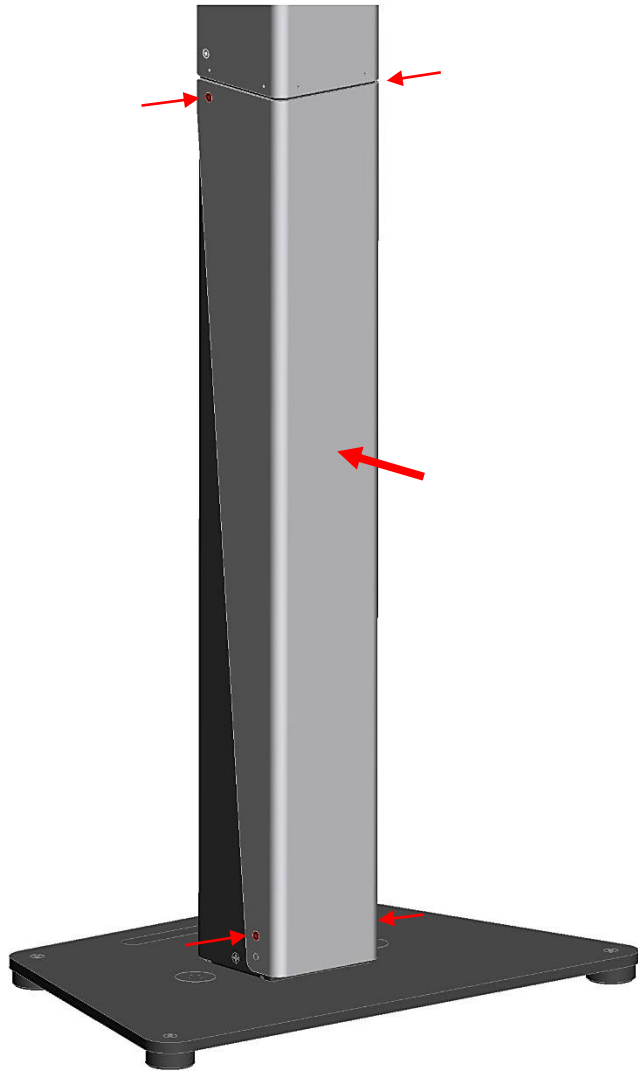
Assemble the display to top slotted holes on stand. Add additional (2) screws from bag "L" to bottom VESA mount holes to secure the display.

22



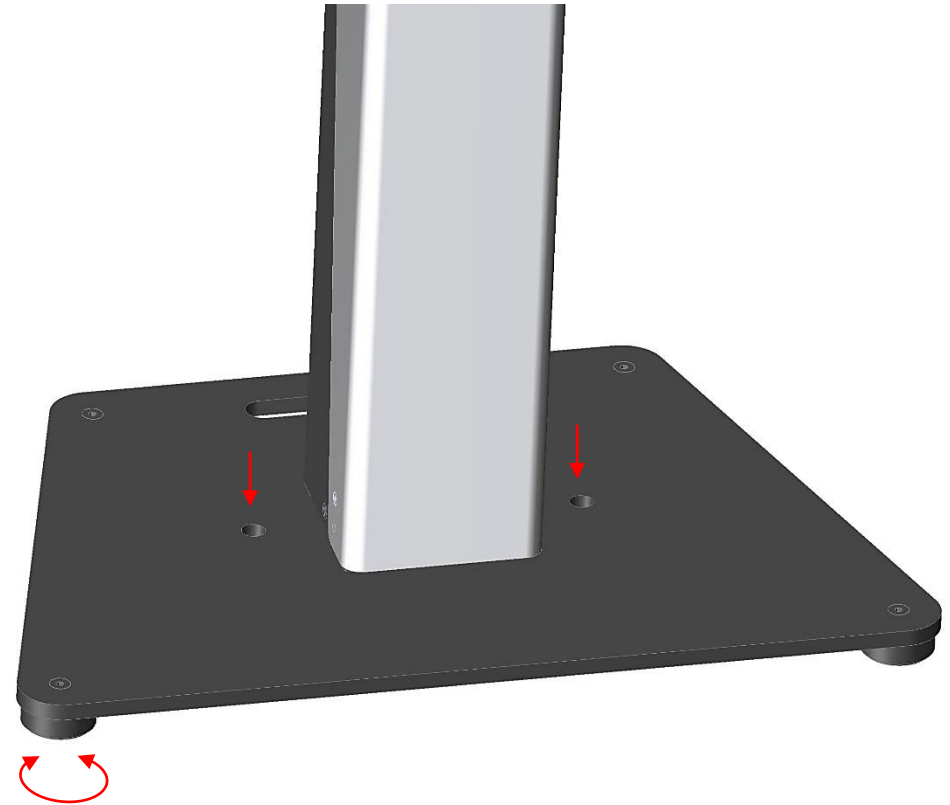
Add power brick into tower using provided strap. Route additional cables through base, tower, head as needed.

23



Replace floor stand cover and secure using (4) screws saved from step 6.

24



Two bolt holes (14mm [0.55"] dia. X2) are available on top of base to secure stand to floor. Feet can be adjusted in case of uneven surfaces.

END for Floor Stand