



(shown with optional Magnetic Stripe Reader)

## **Touchmonitor User Guide**

---

1715L 17" LCD Desktop Touchmonitor  
(Optional Magnetic Stripe Reader Available)

SW500957 Rev H

**Copyright © 2018 ELO Touch Solutions.**

**All Rights Reserved.**

No part of this publication may be reproduced, transmitted, transcribed, stored in a retrieval system, or translated into any language or computer language, in any form or by any means, including, but not limited to, electronic, magnetic, optical, chemical, manual, or otherwise without prior written permission of ELO Touch Solutions.

### **Disclaimer**

The information in this document is subject to change without notice. ELO Touch Solutions and its Affiliates makes no representations or warranties with respect to the contents herein, and specifically disclaims any implied warranties of merchantability or fitness for a particular purpose. ELO Touch Solutions reserves the right to revise this publication and to make changes from time to time in the content hereof without obligation of ELO Touch Solutions to notify any person of such revisions or changes.

### **Trademark Acknowledgments**

AccuTouch, ELO (logo), ELO Touch Solutions, and IntelliTouch, are trademarks of the ELO Touch Solutions. Windows is a trademark of the Microsoft group of companies. Other product names mentioned herein may be trademarks or registered trademarks of their respective companies. ELO Touch Solutions claims no interest in trademarks other than its own.

# Table of Contents

Chapter 1		Appendix A	
<b>Introduction</b>	<b>1</b>	Native Resolution .....	19
Product Description .....	1		
Precautions.....	1	Appendix B	
		Touchmonitor Safety .....	21
Chapter 2		Care and Handling of Your Touchmonitor .....	22
<b>Installation and Setup</b>	<b>2</b>	Warning .....	22
Unpacking Your Touchmonitor .....	2		
Touch Interface Connection .....	4	Appendix C	
Magnetic Stripe Reader(MSR) Interface Connection (optional).....	4	Technical Specifications .....	23
Product Overview .....	5	Touchmonitor Specificatuons.....	24
Main Unit .....	5	17" LCD Touchmonitor (1715L) Dimensions.....	25
Rear View .....	5		
Installing the Driver Software.....	6	<b>Regulatory Information 26</b>	
Installing the Serial Touch Driver (not applicable to Acoustic Pulse Recognition and Projected-Capacitive monitor) .....	7	<b>Warranty 29</b>	
Installing the Serial Touch Driver for Windows 7, Windows Vista, Windows XP, Windows 2000, ME, Windows 95/98 and NT 4.0.....	7		
Installing the Serial Touch Driver for MS-DOS and Windows 3.1 .....	8		
Installing the USB Touch Driver .....	9		
Installing the USB Touch Driver for Windows 7, Windows Vista, Windows XP, Windows 2000, ME, and Windows 98.....	9		
Installing APR USB Touch Driver for Windows XP, Windows VISTA and Windows 7.....	9		
Chapter 3			
<b>Operation</b>	<b>10</b>		
About Touchmonitor Adjustments .....	10		
Side Panel Controls .....	11		
Controls and Adjustment .....	11		
OSD Menu Functions .....	12		
OSD Control Options.....	13		
Preset Modes .....	14		
Power Management System.....	15		
Display Angle.....	15		
IntelliTouch Plus Touch Technology .....	16		
Projected-Capacitive Touch Technology .....	17		
Gesture Support .....	17		
Chapter 4			
<b>Troubleshooting</b>	<b>18</b>		
Solutions to Common Problems .....	18		

# INTRODUCTION

## Product Description

---

Your new touchmonitor combines the reliable performance of touch technology with the latest advances in LCD display design. This combination of features creates a natural flow of information between a user and your touchmonitor.

This LCD monitor incorporates 17" color active matrix thin-film-transistor (TFT) liquid crystal display to provide superior display performance. A maximum resolution of SXGA 1280 x 1024 is ideal for displaying graphics and images. Other outstanding designs that enhance this LCD monitor's performance are Plug & Play compatibility, and OSD (On Screen Display) controls.

## Precautions

---

Follow all warnings, precautions and maintenance as recommended in this user's manual to maximize the life of your unit. See Appendix B for more information on touchmonitor safety.

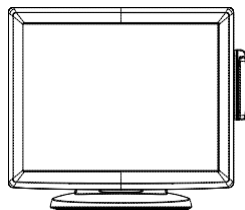
## INSTALLATION AND SETUP

This chapter discusses how to install your LCD touchmonitor and how to install the driver software.

### Unpacking Your Touchmonitor

---

Check that the following items are present and in good condition:



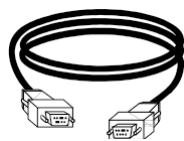
LCD monitor



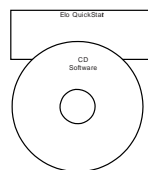
VGA cable



USB cable

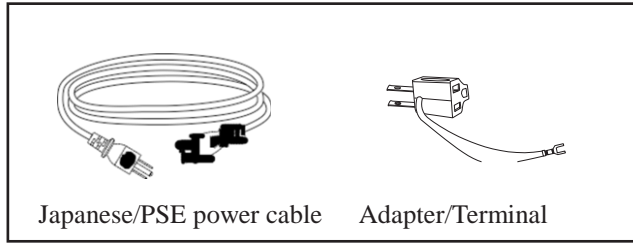


Serial Cable

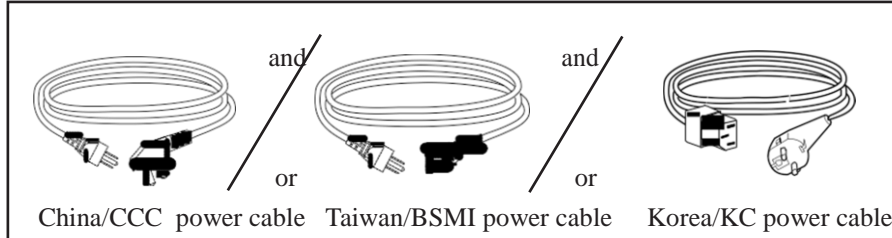


CD and Quick Install Guide

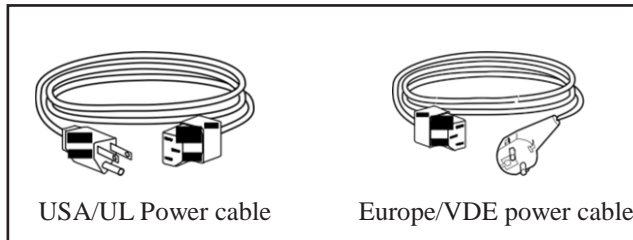
**Power cable for Japan models**



**Power cable for Asia models**



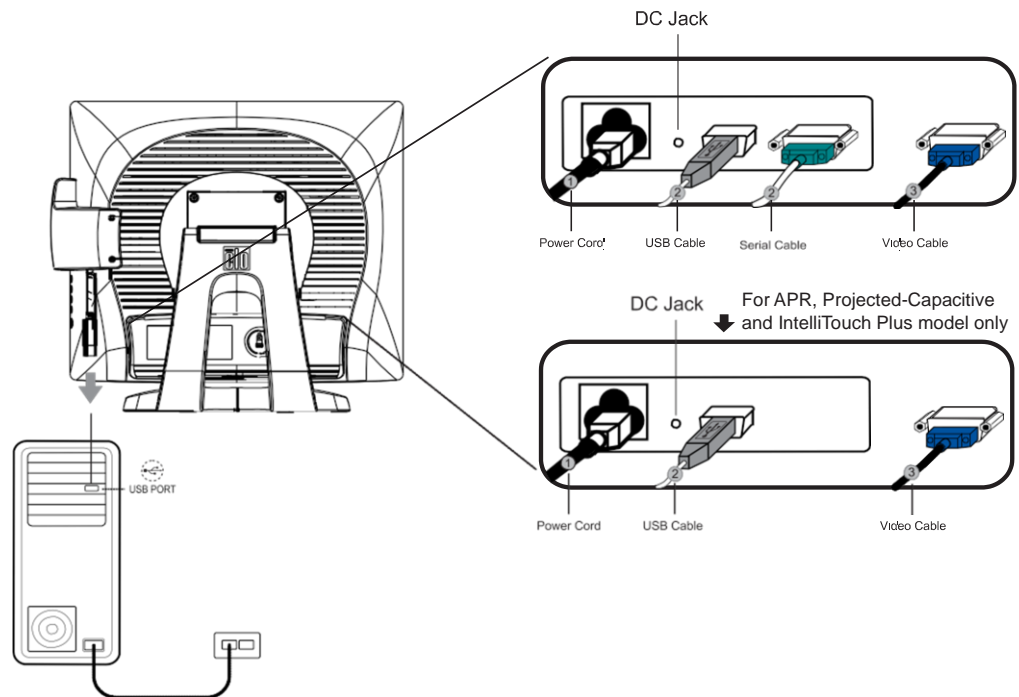
**Power cable for Worldwide models**



## Touch Interface Connection

---

**Note:** Before connecting the cables to your touchmonitor and PC, be sure that the computer and touchmonitor are turned off.



1. Connect one end of the **power cord** to the monitor and the other end to the outlet.
2. Connect one end of either the **touchscreen serial(RS232) cable** or the touch screen USB cable (but not both) to the rear side of the computer and the other end to the LCD monitor. Tighten by turning the two thumb screws clockwise to ensure proper grounding(USB cable does not have thumb screws)
3. Connect one end of the **video cable** to the rear side of computer and the other to the LCD monitor. Tighten by turning the two thumb screws clockwise to ensure proper grounding.
4. Press the **power button** on the front panel to turn the monitor power on.

## Magnetic Stripe Reader(MSR) Interface Connection(optional)

---

If the MSR is installed on the monitor, plug the USB cable from the MSR directly to the PC. No drivers are required to be loaded.

To change the MSR function mode from keyboard emulation to HID, load the "MSR CHANGE MODE.EXE" utility from the enclosed TouchTools CD or go online to [www.elotouch.com](http://www.elotouch.com) to download this utility.

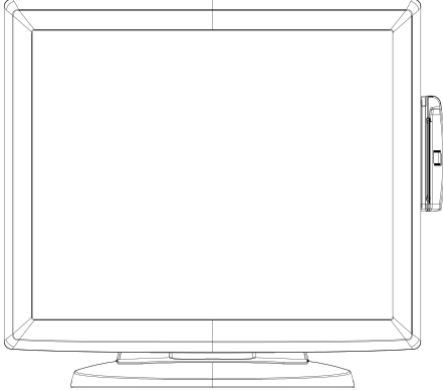
**Note:** MSR function mode can be changed to HID mode from keyboard emulation mode and back using the "MSR CHANGE MODE.EXE" utility.

# Product Overview

---

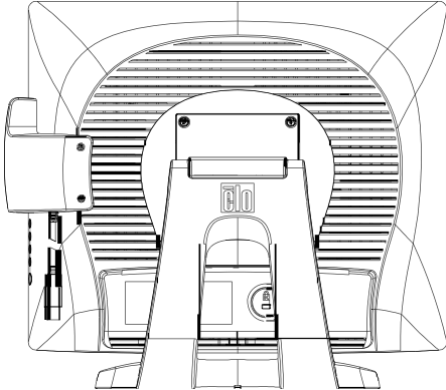
## Main Unit

---



## Rear View

---





# Installing the Driver Software

---

Elo TouchSystems provides driver software that allows your touchmonitor to work with your computer. Drivers are located on the enclosed CD-ROM for the following operating systems:

- Windows 7
- Windows Vista
- Windows XP
- Windows 2000
- Windows Me
- Windows 98
- Windows 95
- Windows NT 4.0
- Windows 3.1
- MS-DOS

Additional drivers and driver information for other operating systems are available on the Elo TouchSystems web site at [www.elotouch.com](http://www.elotouch.com).

The Elo touchmonitor is plug-and-play compliant. Information on the video capabilities of your touchmonitor is sent to your video display adapter when Windows starts. If Windows detects your touchmonitor, follow the instructions on the screen to install a generic plug-and-play monitor.

Refer to the following appropriate section for driver installation instructions.

**Depending upon whether you connected the serial communication cable or the USB communication cable, only the serial driver or the USB driver should be installed.**

# Installing the Serial Touch Driver ( not applicable to Acoustic Pulse Recognition and Projected-Capacitive monitors)

---

## Installing the Serial Touch Driver for Windows 7, Windows Vista, Windows XP, Windows 2000, 98/95, ME and NT4.0

**NOTE:** For Windows 2000 and NT4.0 you must have administrator access rights to install the driver. Make sure the serial connector (RS232) is plugged into the monitor and an open com port on the PC.

- 1 Insert the Elo CD-ROM in your computer's CD-ROM drive.
- 2 If the AutoStart feature for your CD-ROM drive is active, the system automatically detects the CD and starts the setup program.
- 3 Follow the directions on the screen to complete the driver setup for your version of Windows.
- 4 If the AutoStart feature is not active:
- 5 Click **Start > Run**.
- 6 Click the **Browse** button to locate the EloCd.exe program on the CD-ROM.
- 7 Click **Open**, then **OK** to run EloCd.exe.
- 8 Follow the directions on the screen to complete the driver setup for your version of Windows.

## Installing the Serial Touch Driver for Windows 3.1 and MS-DOS

You must have a DOS mouse driver (MOUSE.COM) installed for your mouse if you wish to continue using your mouse along with your touchmonitor in DOS.

To install Windows 3.x and MS-DOS touch driver from Windows 98/95, follow the directions below:

- 1 Insert the CD-ROM in your computer's CD-ROM drive.
- 2 From DOS, type d: and press the **Enter** key to select the CD-ROM (your CD-ROM drive may be mapped to a different drive letter).
- 3 Type cd\elodos\_w31 to change to the correct directory.
- 4 Type **Install** and press **Enter** to start the installation.
- 5 Calculate the touchscreen.

# Installing the USB Touch Driver

---

## Installing the USB Touch Driver for Windows 7, Windows Vista, Windows XP, Windows 2000, ME and Windows 98.

- 1 Insert the Elo CD-ROM in your computer's CD-ROM drive.  
If Windows 2000 or Windows 98 starts the Add New Hardware Wizard, do the following:
- 2 Choose **Next**. Select "Search for the best driver for your device (Recommended)" and choose **Next**.
- 3 When a list of search locations is displayed, place a checkmark on "Specify a location" and use **Browse** to select the \EloUSB directory on the Elo CD-ROM.
- 4 Choose **Next**. Once the Elo USB touchscreen driver has been detected, choose **Next** again.
- 5 You will see several files being copied. Insert your Windows 98 cd if prompted. Choose **Finish**.

If Windows 2000 or Windows 98 does not start the Add New Hardware Wizard, do the following:

**NOTE:** For Windows 2000 you must have administrator access rights to install the driver.

- 1 Insert the Elo CD-ROM in your computer's CD-ROM drive. If the AutoStart feature for your CD-ROM drive is active, the system automatically detects the CD and starts the setup program.
- 2 Follow the directions on the screen to complete the driver setup for your version of Windows.

If the AutoStart feature is not active:

- 1 Click **Start > Run**.
- 2 Click the **Browse** button to locate the EloCd.exe program on the CD-ROM.
- 3 Click **Open**, then **OK** to run EloCd.exe.
- 4 Follow the directions on the screen to complete the driver setup for your version of Windows.

## Installing APR USB Touch Driver for Windows 7, Windows VISTA and Windows XP

Insert the Elo CD-ROM in your computer's CD-ROM driver.

Follow the directions on the screen to complete the APR driver setup for your version of Windows. Do not plug USB cable until software is fully loaded. When finished, plug USB cable and alignment data is transferred.

**NOTE:** For the latest driver, go to [elotouch.com](http://elotouch.com) and download it from the driver download section.

## OPERATION

### About Touchmonitor Adjustments

---

Your touchmonitor will unlikely require adjustment. Variations in video output and application may require adjustments to your touchmonitor to optimize the quality of the display.

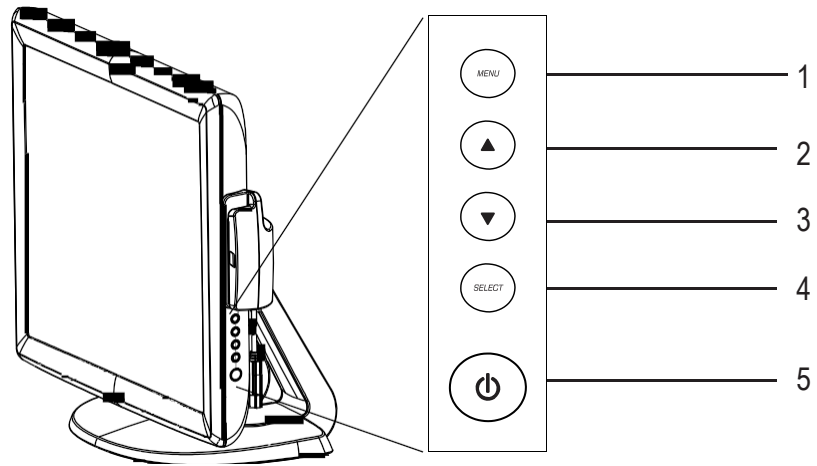
For best performance, your touchmonitor should be operating in native resolution, that is 1280 x 1024 at 80k-75 Hz. Use the Display control panel in Windows to choose 1280 x 1024 resolution.

Operating in other resolutions will degrade video performance. For further information, please refer to Appendix A.

All adjustments you make to the controls are automatically memorized. This feature saves you from having to reset your choices every time you unplug or power your touchmonitor off and on. If there is a power failure, your touchmonitor settings will not default to the factory specifications.

## Side Panel Controls

---



Control	Function
1 <b>Menu/Exit</b>	Display/Exits the OSD menus.
2 ▲	1. Enter contrast of the OSD. 2. Increase value of the adjustment item. 3. Select item.
3 ▼	1. Enter brightness adjustment. 2. Decrease value of the adjustment item. 3. Select item counter-clockwise.
4 <b>Select</b>	Selects the adjustment items from the OSD menus.
5 <b>Power Switch</b>	Switches the power of the monitor.

# Controls and Adjustment

---

## OSD Menu Functions

---

To Display and Select the OSD Functions:

- 1 Press the Menu key to activate the OSD menu.
- 2 Use ▲ or ▼ to move clockwise or counterclockwise through the menu. Press the Enter key, the parameter will be highlighted when selected.
- 3 To quit the OSD screen at any time during the operation, press the Menu key. If no keys are pressed for a short time period, the OSD automatically disappears.

**NOTE:** The OSD screen will disappear if no input activities are detected for 45 seconds.

## OSD Control Options

---

<b>Control</b>	<b>Description</b>
<b>Brightness</b>	Increases or decreases brightness.
<b>Contrast</b>	Increases or decreases contrast.
<b>H-Position</b>	Moves the screen left or right.
<b>V-Position</b>	Moves the screen up or down.
<b>Phase</b>	Increases or decreases the snow noise of the image after auto adjustment is made.
<b>Clock</b>	The dot clock is fine-adjusted after auto adjust.
<b>Sharpness</b>	Adjusts sharpness of video.
<b>OSD H-Position</b>	Moves the OSD position horizontally on the screen. When the ▲ button is pressed, the OSD control menu will move to the right side of the screen. Likewise, when the ▼ button is pressed, the OSD control menu will move to the left side.
<b>OSD V-Position</b>	Moves the OSD position vertically on the screen. When the ▲ button is pressed, the OSD control menu will move to the top side of the screen. Likewise, when the ▼ button is pressed, the OSD control menu will move to the lower side.
<b>OSD Time</b>	Adjusts the amount of the OSD menu is displayed.
<b>Color Balance</b>	Press ▲ or ▼ to select 9300, 6500, 5500, 7500 and USER. Only when selecting USER can you make adjustments to the R/G/B content. Press Enter to restore to factory default setting.
<b>Auto-Adjust</b>	Press Auto to enable this function. The Auto-Adjust will automatically adjust V-Position, H-Position, Clock and Clock-Phase.
<b>Recall Defaults</b>	Returns the monitor to its default settings.
<b>OSD Language</b>	Select from English, French, German ,Spanish and Japanese.
<b>Information Description</b>	Indicates the current resolution, H-Frequency and V-Frequency.



## Preset Modes

---

To reduce the need for adjustment for different modes, the monitor has default setting modes that are most commonly used as given in the table below. If any of these display modes are detected, the monitor automatically adjusts the picture size and centering. When none of the mode is matched, the user can store their preferred modes in the user modes. The monitor is capable of storing up to 7 user modes. The only condition to store as a user mode is the new display information must have 1 KHz difference for horizontal frequency or 1 Hz for vertical frequency or the sync signal polarities are different from the default modes.

Item	Resolution	Type	H.Scan(KHz)	V. Scan(Hz)	Polarity
1	640 x 350	VGA	31.468	70.09	+/-
2	720 x 400	VGA	31.468	70.08	-/+
3	640 x 480	VGA	31.468	59.94	-/-
4	640 x 480	MAC 66	35	66	-/-
5	640 x 480	VESA 72	37.861	72.809	-/-
6	640 x 480	VESA 75	37.5	75	-/-
7	800 x 600	VESA 56	35.156	56.25	+/+
8	800 x 600	VESA 60	37.879	60.317	+/+
9	800 x 600	VESA 75	46.875	75	+/+
10	800 x 600	VESA 72	48.077	72.188	+/+
11	832 x 624	MAC 75	49.71	74.53	-/-
12	1024 x 768	VESA 60	48.363	60.004	-/-
13	1024 x 768	SUN 65	52.45	65	-/-
14	1024 x 768	VESA 70	56.476	70.069	-/-
15	1024 x 768	VESA 75	60.023	75.029	+/+
16	1280 x 1024	VESA 60	63.981	60	+/+
17	1280 x 1024	VESA 75	79.976	75.025	+/+
18	1152 x 864	VESA 75	67.5	75	+/+
19	1280 x 960	VESA 60	60	60	+/+

## Power Management System

---

The monitor is equipped with the power management function which automatically reduces the power consumption when not in use.

Mode	Power Consumption
On	<50W
Sleep	<3W
Off	<1W

---

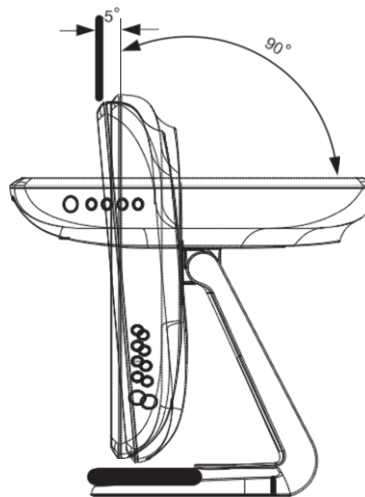
We recommend switching the monitor off when it is not in use for a long time.

**NOTE:** The monitor automatically goes through the Power Management System (PMS) steps when it is idle. To release the monitor from PMS state, press any key on the keyboard or move mouse.

## Display Angle

---

For viewing clarity, you can tilt the LCD forward (up to -5 degrees) or backward (up to 90 degrees.)



**CAUTION** In order to protect the LCD, be sure to hold the base when adjusting the LCD, and take care **not** to touch the screen.

# IntelliTouch Plus Touch Technology

---

When connected to Windows 7 computers, the touchmonitor can report 2 simultaneous touches.

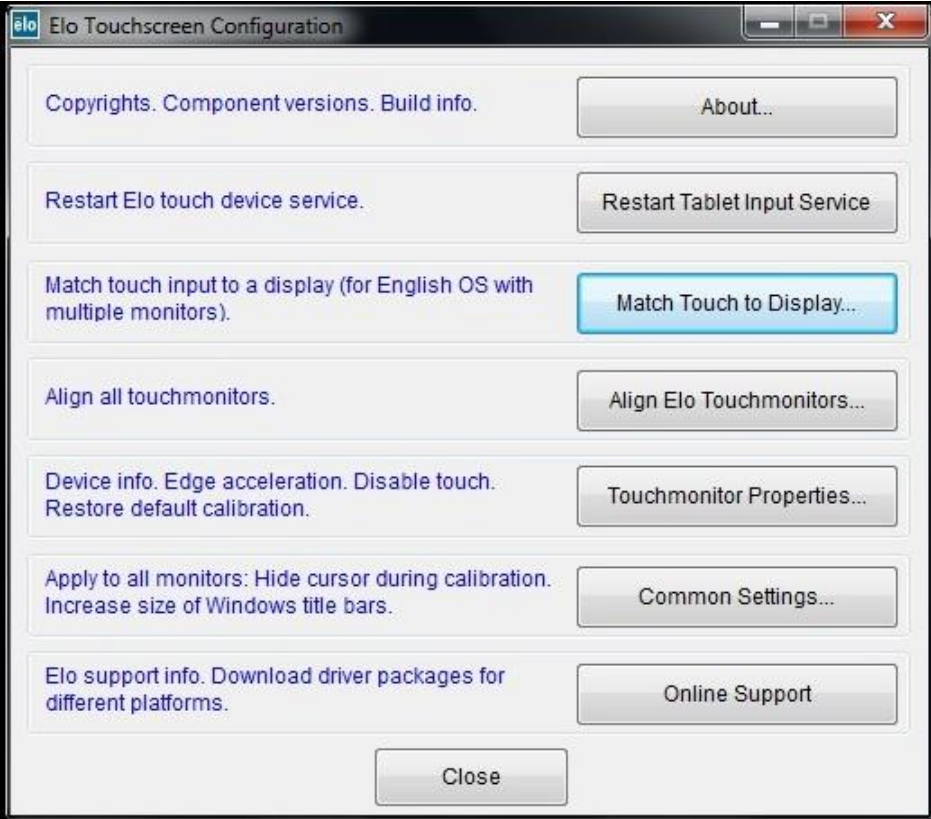
The IntelliTouch Plus touchscreen can be re-calibrated to your displayed video image, if needed, through the Calibration function in the Elo driver control panel.

The IntelliTouch Plus driver will only support multiple monitor if they are all using the IntelliTouch Plus touch technology.

To use multiple IntelliTouch Plus monitors, double click on the EloConfig desktop shortcut to open up the Elo Touchscreen Configuration screen.



Select “Match Touch to Display...” to calibrate multiple monitors.



## Projected-Capacitive Touch Technology

---

When connected to Windows 7 computers, the touchmonitor can report 2 simultaneous touches. When connected to Windows XP computers, the touchmonitor reports single touches.

No additional drivers are required for this technology to work, it uses Windows HID drivers. No calibration is required for this technology.

## Gesture Support

---

The IntelliTouch Plus and Projected-Capacitive touch technologies enable several gestures that support single and multiple contacts. Refer to the Microsoft Website <http://msdn.microsoft.com/en-us/library/dd940543> on the various gestures that are supported in Windows 7.

# TROUBLESHOOTING

If you are experiencing trouble with your touchmonitor, refer to the following table. If the problem persists, please contact your local dealer or our service center.

## Solutions to Common Problems

---

Problem	Suggestion(s)
The monitor does not respond when turning on the system.	<ol style="list-style-type: none"> <li>1. Check that the monitor's Power Switch is on.</li> <li>2. Turn off the power and check the monitor's DC power cord and signal cable for proper connection.</li> </ol>
Characters on the screen are dim	Refer to the About Touchmonitor Adjustments section to adjust the brightness.
The video is blank	<ol style="list-style-type: none"> <li>1. During operation, the monitor screen may automatically turn off as a result of the Power Saving feature. Press any key to see if the screen reappears.</li> <li>2. Refer to the About Touchmonitor Adjustments section to adjust the brightness.</li> </ol>
Screen flashes when initialized	Turn the monitor off then turn it on again.
"Out of Range" display	Reconfigure the resolution of your computer to make one of the monitor's supported video mode (see Appendix C). See Appendix A for more information on resolution.
Touch doesn't work	Make sure the touch cable is securely attached at both ends.

---



## NATIVE RESOLUTION

The native resolution of a monitor is the resolution level at which the LCD panel is designed to perform best. For the LCD touchmonitor, the native resolution is 1280 x 1024 for the 17 inch size. In almost all cases, screen images look best when viewed at their native resolution. You can lower the resolution setting of a monitor but not increase it.

<b>Input Video</b>	<b>17" LCD</b>
640 x 480 (VGA)	Transforms input format to 1280 x 1024
800 x 600 (SVGA)	Transforms input format to 1280 x 1024
1024 x 768 (XGA)	Transforms input format to 1280 x 1024
1280 x 1024 (SXGA)	Displays in native Resolution

The native resolution of an LCD is the actual number of pixels horizontally in the LCD by the number of pixels vertically in the LCD. LCD resolution is usually represented by the following symbols:

<b>VGA</b>	<b>640 x 480</b>
<b>SVGA</b>	<b>800 x 600</b>
<b>XGA</b>	<b>1024 x 768</b>
<b>SXGA</b>	<b>1280 x 1024</b>

As an example, a XGA resolution LCD panel has 1024 pixels horizontally by 768 pixels vertically. Input video is also represented by the same terms. SXGA input video has a format of 1280 pixels horizontally by 1024 pixels vertically. When the input pixels contained in the video input format match the native resolution of the panel, there is a one to one correspondence of mapping of input video pixels to LCD pixels. As an example, the pixel in column 45 and row 26 of the input video is in column 45 and row 26 of the LCD. For the case when the input video is at a lower resolution than the native resolution of the LCD, the direct correspondence between the video pixels and the LCD pixels is lost. The LCD controller can compute the correspondence between video pixels and LCD pixels using algorithms contained on its controller. The accuracy of the algorithms determines the fidelity of conversion of video pixels to LCD pixels. Poor fidelity conversion can result in artifacts in the LCD displayed image such as varying width characters.

# B

## TOUCHMONITOR SAFETY

This manual contains information that is important for the proper setup and maintenance of your touchmonitor. Before setting up and powering on your new touchmonitor, read through this manual, especially Chapter 2 (Installation), and Chapter 3 (Operation).

- 1 To reduce the risk of electric shock, follow all safety notices and never open the touchmonitor case.
- 2 Turn off the product before cleaning.
- 3 Your new touchmonitor is equipped with a 3-wire, grounding power cord. The power cord plug will only fit into a grounded outlet. Do not attempt to fit the plug into an outlet that has not been configured for this purpose. Do not use a damaged power cord. Use only the power cord that comes with your touchmonitor. Use of an unauthorized power cord may invalidate your warranty.
- 4 The slots located on the sides and top of the touchmonitor case are for ventilation. Do not block or insert anything inside the ventilation slots.
- 5 It is important that your touchmonitor remains dry. Do not pour liquid into or onto your touchmonitor. If your touchmonitor becomes wet do not attempt to repair it yourself.



# Care and Handling of Your Touchmonitor

---

The following tips will help keep your touchmonitor functioning at the optimal level.

- To avoid risk of electric shock, do not disassemble the brick power supply or display unit cabinet. The unit is not user serviceable. Remember to unplug the display unit from the power outlet before cleaning.
- Do not use alcohol (methyl, ethyl or isopropyl) or any strong dissolvent. Do not use thinner or benzene, abrasive cleaners or compressed air.
- To clean the display unit cabinet, use a cloth lightly dampened with a mild detergent.
- Avoid getting liquids inside your touchmonitor. If liquid does get inside, have a qualified service technician check it before you power it on again.
- Do not wipe the screen with a cloth or sponge that could scratch the surface.
- To clean the touchscreen, use window or glass cleaner. Put the cleaner on a clean cloth and wipe the touchscreen. Never apply the cleaner directly to the touchscreen.



## Warning

This product consists of devices that may contain mercury, which must be recycled or disposed of in accordance with local, state, or federal laws. (Within this system, the backlight lamps in the monitor display contain mercury.)



## Waste Electrical and Electronic Equipment(WEEE) Directive

In the European Union, this label indicates that this product should not be disposed of with household waste. It should be deposited at an appropriate facility to enable recovery and recycling.

# C

## **TECHNICAL SPECIFICATIONS**

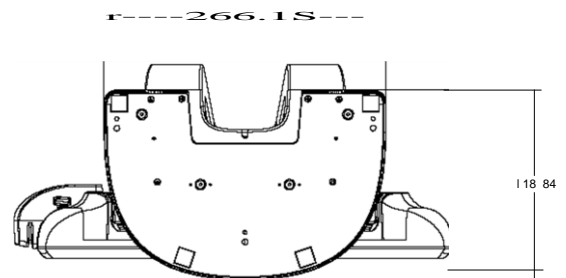
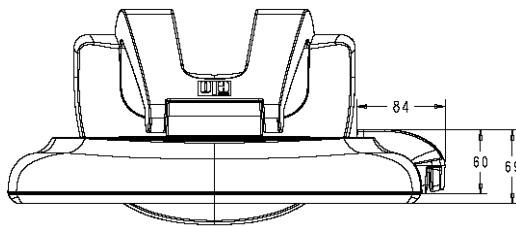
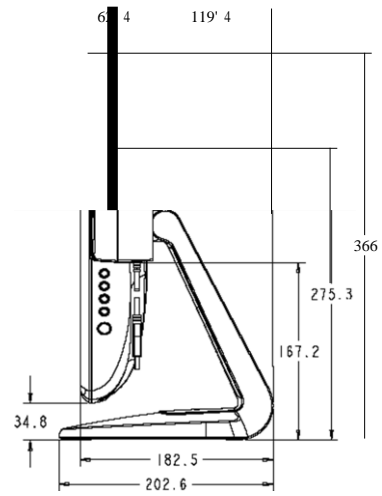
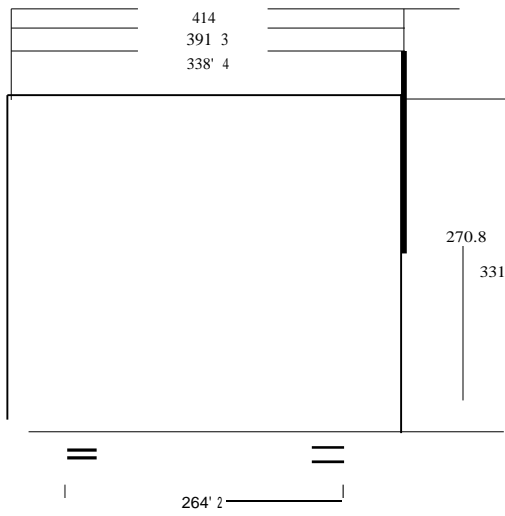
# Touchmonitor Specifications

---

<b>Model</b>		<b>1715L</b>
<b>LCD Display</b>		17" TFT Active Matrix Panel
<b>Display Size</b>		337.9(H) x 270.33(V) mm
<b>Pixel Pitch</b>		0.264(H) x 0.264(V) mm
<b>Display Mode</b>		VGA 640 x 350 (70Hz) VGA 720 x 400 (70Hz) VGA 640 x 480 (60 / 72/ 75Hz) SVGA 800 x 600 (56 / 60 / 72/ 75Hz) XGA 1024 x 768 (60 / 70 / 75Hz)
<b>Max. Resolution</b>		SXGA 1280 x 1024 (60 / 70 / 75Hz) SXGA (1280 x 1024) at 75Hz maximum
<b>Contrast Ratio</b>		800 : 1 (typical)
<b>Brightness</b>		No touchscreen: typical 250 cd/m <sup>2</sup> ; Min 200 cd/m <sup>2</sup> IntelliTouch: typical 225 cd/m <sup>2</sup> ; Min 170 cd/m <sup>2</sup> Surface Capacitive: typical 212 cd/m <sup>2</sup> ; Min 160 cd/m <sup>2</sup> AccuTouch: typical 200 cd/m <sup>2</sup> ; Min 150 cd/m <sup>2</sup> Acoustic Pulse Recognition: typical 225 cd/m <sup>2</sup> ; Min 170 cd/m <sup>2</sup> Projected-Capacitive: typical 225 cd/m <sup>2</sup> ; Min 176 cd/m <sup>2</sup> IntelliTouch Plus: typical 225 cd/m <sup>2</sup> ; Min 170 cd/m <sup>2</sup>
<b>Response Time</b>		5 ms (Typ.)
<b>Display Color</b>		16.7M
<b>Viewing Angle</b>		Vertical -80° ~ +80° (Typ.) Horizontal -80° ~ +80° (Typ.)
<b>Input Signal</b>	Video	R.G.B. Analog 0.7Vp-p, 75 ohm
	Sync	TTL Positive or Negative
<b>Signal Connector</b>		Mini D-Sub 15 pin
<b>Front Control</b>		Menu, ▲ , ▼ , Select, Power
<b>OSD</b>		Contrast, Brightness, H-Position, V-Position, Color Temperature, Phase, Clock, OSD Time, Recall, Language: English, French, German, Spanish, Japanese
<b>Plug &amp; Play</b>		DDC2B
<b>Touch Panel (optional)</b>		IntelliTouch, AccuTouch/Surface Capacitive Touch Acoustic Pulse Recognition/Projected-Capacitive/IntelliTouch Plus
<b>Power Adapter</b>		Input AC 100-240V, 50/60Hz
<b>Operating Conditions</b>	Temperature	0 °C ~ 40 °C (32 °F ~ 104 °F)
	Humidity	20% ~ 80% (No Condensation)
	Altitude	To 12,000 Feet
<b>Storage Conditions</b>	Temperature	-20 °C ~ 60 °C (-4 °F ~ 140 °F)
	Humidity	10% ~ 90% (No Condensation)
<b>Dimensions (HxWxD)</b>		391 x 366 x 203mm(w/o MSR)
<b>Weight (Net)</b>		7Kg
<b>Certifications</b>		UL, cUL, FCC-B, CE, VCCI, C-Tick, MPRII , Argentina S-mark, BSMI, MIC, CCC, China RoHS, EK

---

# 17" LCD Touchmonitor (1715L) Dimensions



# REGULATORY INFORMATION

## I. Electrical Safety Information:

- A) Compliance is required with respect to the voltage, frequency, and current requirements indicated on the manufacturer's label. Connection to a different power source than those specified herein will likely result in improper operation, damage to the equipment or pose a fire hazard if the limitations are not followed.
- B) There are no operator serviceable parts inside this equipment. There are hazardous voltages generated by this equipment which constitute a safety hazard. Service should be provided only by a qualified service technician.
- C) Contact a qualified electrician or the manufacturer if there are questions about the installation prior to connecting the equipment to mains power.

## II. Emissions and Immunity Information

### A) Notice to Users in the United States:

This equipment has been tested and found to comply with the limits for a Class B digital device, pursuant to Part 15 of the FCC Rules. These limits are designed to provide reasonable protection against harmful interference in a residential installation. This equipment generates, uses and can radiate radio frequency energy and, if not installed and used in accordance with the instructions, may cause harmful interference to radio communications. However, there is no guarantee that interference will not occur in a particular installation. If this equipment does cause harmful interference to radio or television reception, which can be determined by turning the equipment off and on, the user is encouraged to try to correct the interference by one or more of the following measures:

- Reorient or relocate the receiving antenna.
- Increase the separation between the equipment and receiver.
- Connect the equipment into an outlet on a circuit different from that to which the receiver is connected.
- Consult the dealer or an experienced radio/TV technician for help.

### B) Notice to Users in Canada:

This equipment complies with the Class B limits for radio noise emissions from digital apparatus as established by the Radio Interference Regulations of Industrial Canada.

CAN ICES3(B)/NMB3(B)

This device complies with Industry Canada's license-exempt RSSs. Operation is subject to the following two conditions:

- (1) This device may not cause interference; and
- (2) This device must accept any interference, including interference that may cause undesired operation of the device.

Le présent appareil est conforme aux CNR d'Industrie Canada applicables aux appareils radio exempts de licence. L'exploitation est autorisée aux deux conditions suivantes :

- (1) l'appareil ne doit pas produire de brouillage; et
- (2) l'utilisateur de l'appareil doit accepter tout brouillage radioélectrique subi, même si le brouillage est susceptible d'en compromettre le fonctionnement.

### C) Notice to Users in the European Union: Use only the provided power cords and interconnecting cabling

provided with the equipment. Substitution of provided cords and cabling may compromise electrical safety or CE Mark Certification for emissions or immunity as required by the following standards:

This Information Technology Equipment (ITE) is required to have a CE Mark on the manufacturer's label which means that the equipment has been tested to the following Directives and Standards: This equipment has been tested to the requirements for the CE Mark as required by EMC Directive 2004/108/EC indicated in European Standard EN

55022 Class B and the Low Voltage Directive 2006/95/EC as indicated in European Standard EN 60950.

D) General Information to all Users: This equipment generates, uses and can radiate radio frequency energy. If not installed and used according to this manual the equipment may cause interference with radio and television communications. There is, however, no guarantee that interference will not occur in any particular installation due to site-specific factors.

1) In order to meet emission and immunity requirements, the user must observe the following:

a) Use only the provided I/O cables to connect this digital device with any computer.

b) To ensure compliance, use only the provided manufacturer's approved line cord.

c) The user is cautioned that changes or modifications to the equipment not expressly approved by the party responsible for compliance could void the user's authority to operate the equipment.

2) If this equipment appears to cause interference with radio or television reception, or any other device:

a) Verify as an emission source by turning the equipment off and on.

b) If you determine that this equipment is causing the interference, try to correct the interference by using one or more of the following measures:

i) Move the digital device away from the affected receiver.

ii) Reposition (turn) the digital device with respect to the affected receiver. iii) Reorient the affected receiver's antenna.

iv) Plug the digital device into a different AC outlet so the digital device and the receiver are on different branch circuits.

v) Disconnect and remove any I/O cables that the digital device does not use. (Unterminated I/O cables are a potential source of high RF emission levels.)

vi) Plug the digital device into only a grounded outlet receptacle. Do not use AC adapter plugs. (Removing or cutting the line cord ground may increase RF emission levels and may also present a lethal shock hazard to the user.)

If you need additional help, consult your dealer, manufacturer, or an experienced radio or television technician.

## FCC Declaration of Conformity

Per FCC 47 CFR FCC Part15 subpart B Section 2.1077(a)

In accordance with FCC Rules and Regulations

**Model Number:** ET1515L/ET1715L/ET1915L Series  
**Equipment Category:** Information Technology and Telecommunications Equipment  
**Equipment Class:** Commercial and Light Industrial  
**Product Name:** Monitor  
**Manufacturer:** Elo Touch Solutions, Inc.  
670 N. McCarthy Blvd.  
Suite 100  
Milpitas, CA 95035  
[www.elotouch.com](http://www.elotouch.com)

**Trademark:**

The logo for Elo, featuring the lowercase letters 'elo' in a bold, sans-serif font. The letter 'e' has a horizontal bar extending to the left, creating a stylized 'ē'.

**Declaration:**

This device complies with Part 15 of the FCC Rules. Operation is subject to the following two conditions:

(1) This device may not cause harmful interference, and (2) this device must accept any interference received, including interference that may cause undesired operation

A handwritten signature in blue ink that reads 'Kevin Huang'. The signature is written over a horizontal line.

Kevin Huang

Director, Systems Engineering

Elo Touch Solutions, Inc.

### III. Agency Certifications

The following certifications have been issued for this monitor:

- Australia C-Tick
- Canada cUL
- Canada IC
- China CCC (Asia models only)
- China RoHS (Asia models only)
- Europe CE
- Japan VCCI
- United States FCC
- United States UL
- Argentina S-mark
- Taiwan BSMI
- Korea MIC
- Korea EK

This class B digital apparatus meets all requirements of the Canadian Interference-Causing Equipment Regulations.

Cet appareil numérique de la classe B respecte toutes les exigences du Règlement sur le matériel brouilleur du Canada.

This device complies with Part 15 of the FCC Rules. Operation is subject to the following two conditions: (1) This device may not cause harmful interference, and (2) This device must accept any interference received, including interference that may cause undesired operation.



# WARRANTY

Except as otherwise stated herein or in an order acknowledgment delivered to Buyer, Seller warrants to Buyer that the Product shall be free of defects in materials and workmanship. The warranty for the touchmonitors and components of the product is 3 (three) years.

Seller makes no warranty regarding the model life of components. Seller's suppliers may at any time and from time to time make changes in the components delivered as Products or components.

Buyer shall notify Seller in writing promptly (and in no case later than thirty (30) days after discovery) of the failure of any Product to conform to the warranty set forth above; shall describe in commercially reasonable detail in such notice the symptoms associated with such failure; and shall provide to Seller the opportunity to inspect such Products as installed, if possible. The notice must be received by Seller during the Warranty Period for such product, unless otherwise directed in writing by the Seller. Within thirty (30) days after submitting such notice, Buyer shall package the allegedly defective Product in its original shipping carton(s) or a functional equivalent and shall ship to Seller at Buyer's expense and risk.

Within a reasonable time after receipt of the allegedly defective Product and verification by Seller that the Product fails to meet the warranty set forth above, Seller shall correct such failure by, at Seller's options, either (i) modifying or repairing the Product or (ii) replacing the Product. Such modification, repair, or replacement and the return shipment of the Product with minimum insurance to Buyer shall be at Seller's expense. Buyer shall bear the risk of loss or damage in transit, and may insure the Product. Buyer shall reimburse Seller for transportation cost incurred for Product returned but not found by Seller to be defective.

Modification or repair, of Products may, at Seller's option, take place either at Seller's facilities or at Buyer's premises. If Seller is unable to modify, repair, or replace a Product to conform to the warranty set forth above, then Seller shall, at Seller's option, either refund to Buyer or credit to Buyer's account the purchase price of the Product less depreciation calculated on a straight-line basis over Seller's stated Warranty Period.

THESE REMEDIES SHALL BE THE BUYER'S EXCLUSIVE REMEDIES FOR BREACH OF WARRANTY. EXCEPT FOR THE EXPRESS WARRANTY SET FORTH ABOVE, SELLER GRANTS NO OTHER WARRANTIES, EXPRESS OR IMPLIED BY STATUTE OR OTHERWISE, REGARDING THE PRODUCTS, THEIR FITNESS FOR ANY PURPOSE, THEIR QUALITY, THEIR MERCHANTABILITY, THEIR NONINFRINGEMENT, OR OTHERWISE. NO EMPLOYEE OF SELLER OR ANY OTHER PARTY IS AUTHORIZED TO MAKE ANY WARRANTY FOR THE GOODS OTHER THAN THE WARRANTY SET FORTH HEREIN. SELLER'S LIABILITY UNDER THE WARRANTY SHALL BE LIMITED TO A REFUND OF THE PURCHASE PRICE OF THE PRODUCT. IN NO EVENT SHALL SELLER BE LIABLE FOR THE COST OF PROCUREMENT OR INSTALLATION OF SUBSTITUTE GOODS BY BUYER OR FOR ANY SPECIAL, CONSEQUENTIAL, INDIRECT, OR INCIDENTAL DAMAGES.

Buyer assumes the risk and agrees to indemnify Seller against and hold Seller harmless from all liability relating to (i) assessing the suitability for Buyer's intended use of the Products and of any system design or drawing and (ii) determining the compliance of Buyer's use of the Products with applicable laws, regulations, codes, and standards. Buyer retains and accepts full responsibility for all warranty and other claims relating to or arising from Buyer's products, which include or incorporate Products or components manufactured or supplied by Seller.

Buyer is solely responsible for any and all representations and warranties regarding the Products made or authorized by Buyer. Buyer will indemnify Seller and hold Seller harmless from any liability, claims, loss, cost, or expenses (including reasonable attorney's fees) attributable to Buyer's products or representations or warranties concerning same.

**Check out Our Website!**

**[www.elotouch.com](http://www.elotouch.com)**

---

Get the latest...

- Product Information
- Specifications
- Upcoming events
- Press releases
- Software drivers

## **Getting in Touch with us**

---

To find out more about the extensive range of Elo touch solutions, visit our website at [www.elotouch.com](http://www.elotouch.com), or simply call the office nearest you:

**North America**

Elo Touch Solutions  
670 N. McCarthy Blvd  
Suite 100  
Milpitas, CA 95035

Tel 800-ELO-TOUCH

Tel +1-408-597-8000

Fax +1-408-597-8050

[customerservice@elotouch.com](mailto:customerservice@elotouch.com)

**Europe**

Tel +32(0)(16)704 500

Fax +32(0)(16)704 549

[elosales@elotouch.com](mailto:elosales@elotouch.com)

**Asia-Pacific**

Tel +86 (21) 3329 1385

Fax +86 (21) 3329 1400

[www.elotouch.com.cn](http://www.elotouch.com.cn)

**Latin America**

Tel +1 786-923-0251

Fax +1 305-931-0124

[www.elotouch.com.ar](http://www.elotouch.com.ar)