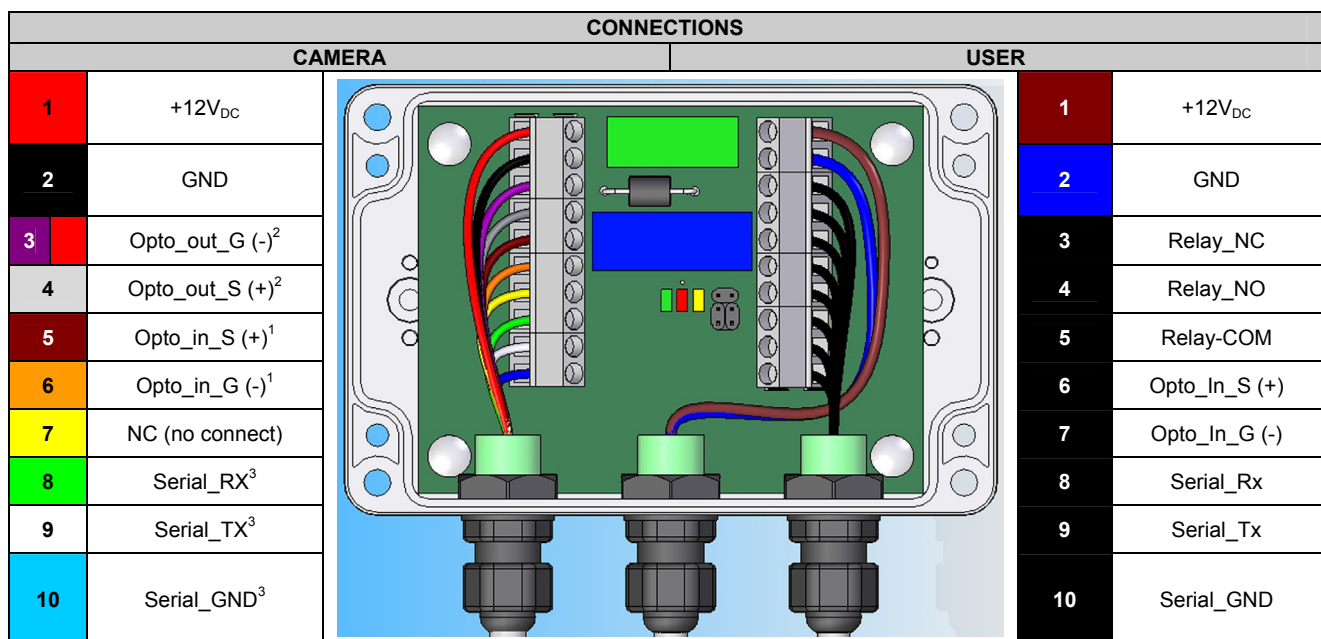


ParkIT Junction Box

Input Power	<ul style="list-style-type: none"> ✓ 12V DC + 5% ✓ Reverse polarity protected ✓ Overvoltage, overcurrent protection fuse (T 1.5A) ✓ Transient protection
Communication	<ul style="list-style-type: none"> ✓ Interface points for communication: RX, TX, GND ✓ Transient protection
Input	<ul style="list-style-type: none"> ✓ Optocoupler interface ✓ Can be configured by jumpers ✓ 'Dry' or 'Contact' (Dry is used by default) ✓ Dry: min. 5mA ... max. 15mA (input resistance: 1Kohm) ✓ Contact: external contact (relay output, switch)
Output	<ul style="list-style-type: none"> ✓ Galvanic isolated ✓ 1-pole relay output ✓ Status LED' on the box: GREEN: relay ON RED: relay OFF ✓ COM, NO (Normal Open), NC (Normal Close) outputs ✓ 2A, 250V AC / 24V DC ✓ Min. 10⁵ switching cycles
On board status LED's	<ul style="list-style-type: none"> ✓ Green – Power ✓ Red – Relay ON ✓ Yellow – Optocoupler is active

Box	✓ Polycarbonate
Cable outlets	✓ PG7 cable glands (camera, input power, user)
Cable thickness	✓ 3.5 mm – 6.5 mm
Mechanical dimensions	✓ 120mm x 80 mm (+ PG7 max. 20mm) x 55 mm
Temperature range	✓ -40C ...+80C



ParkIT Junction Box

