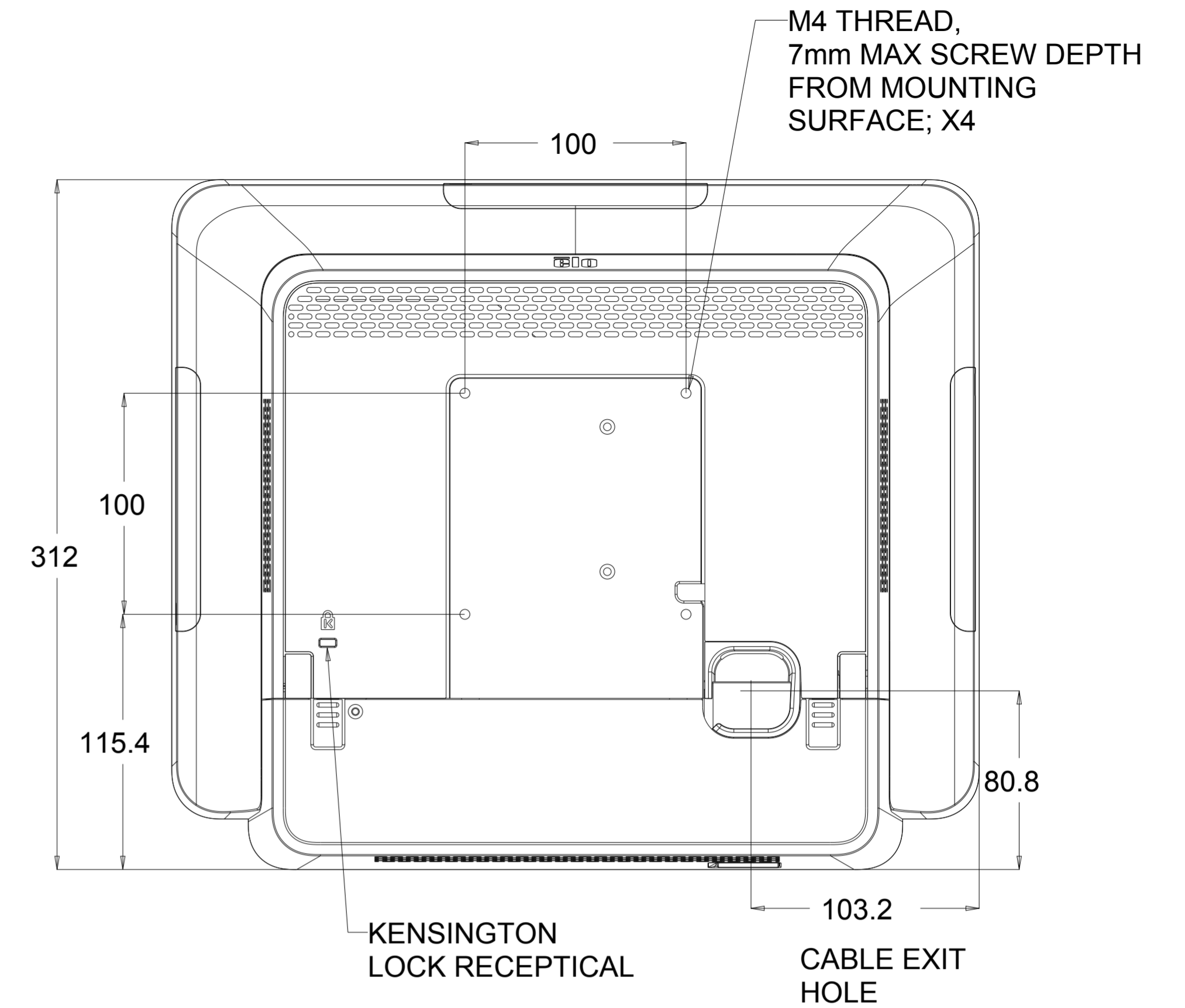
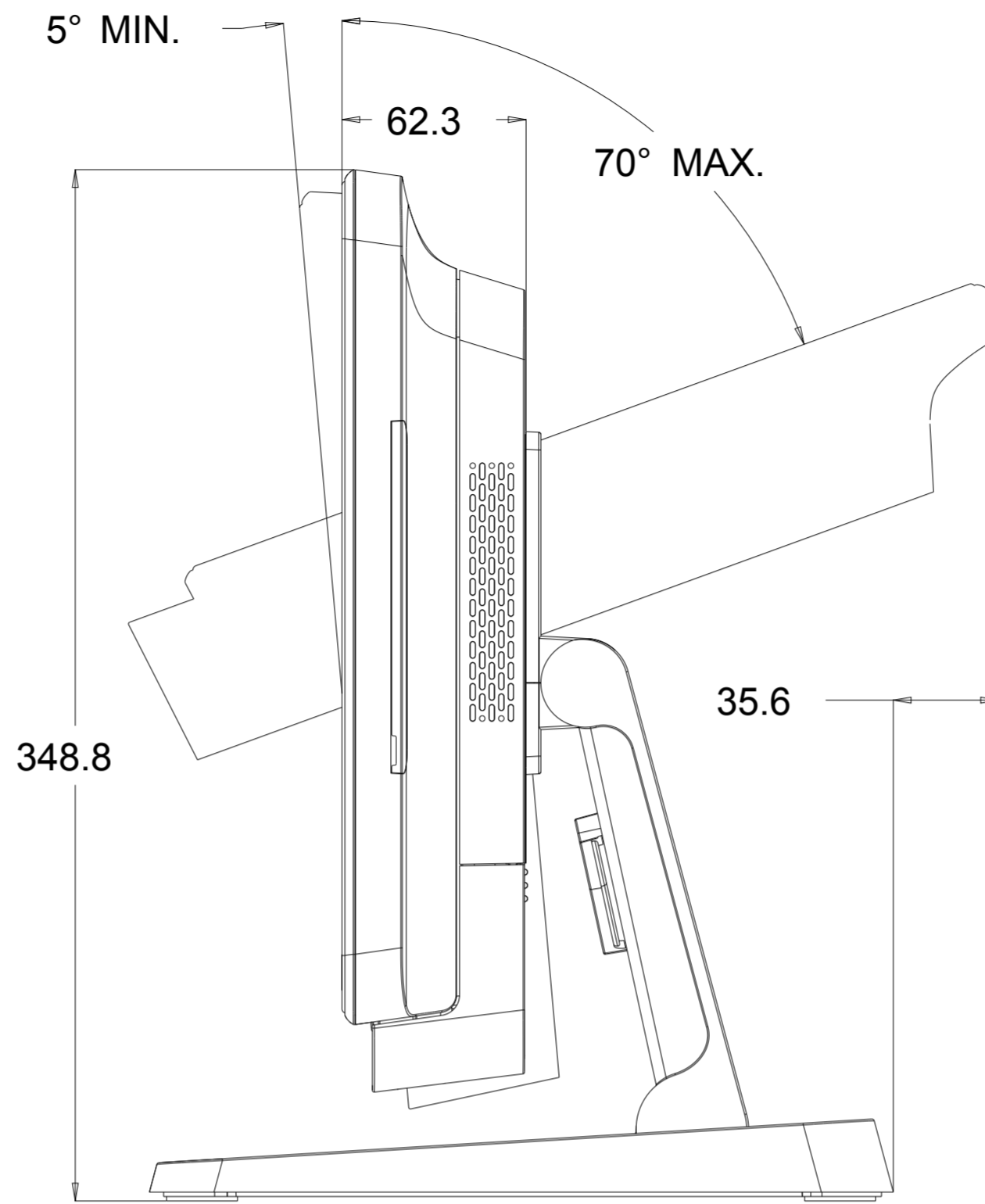
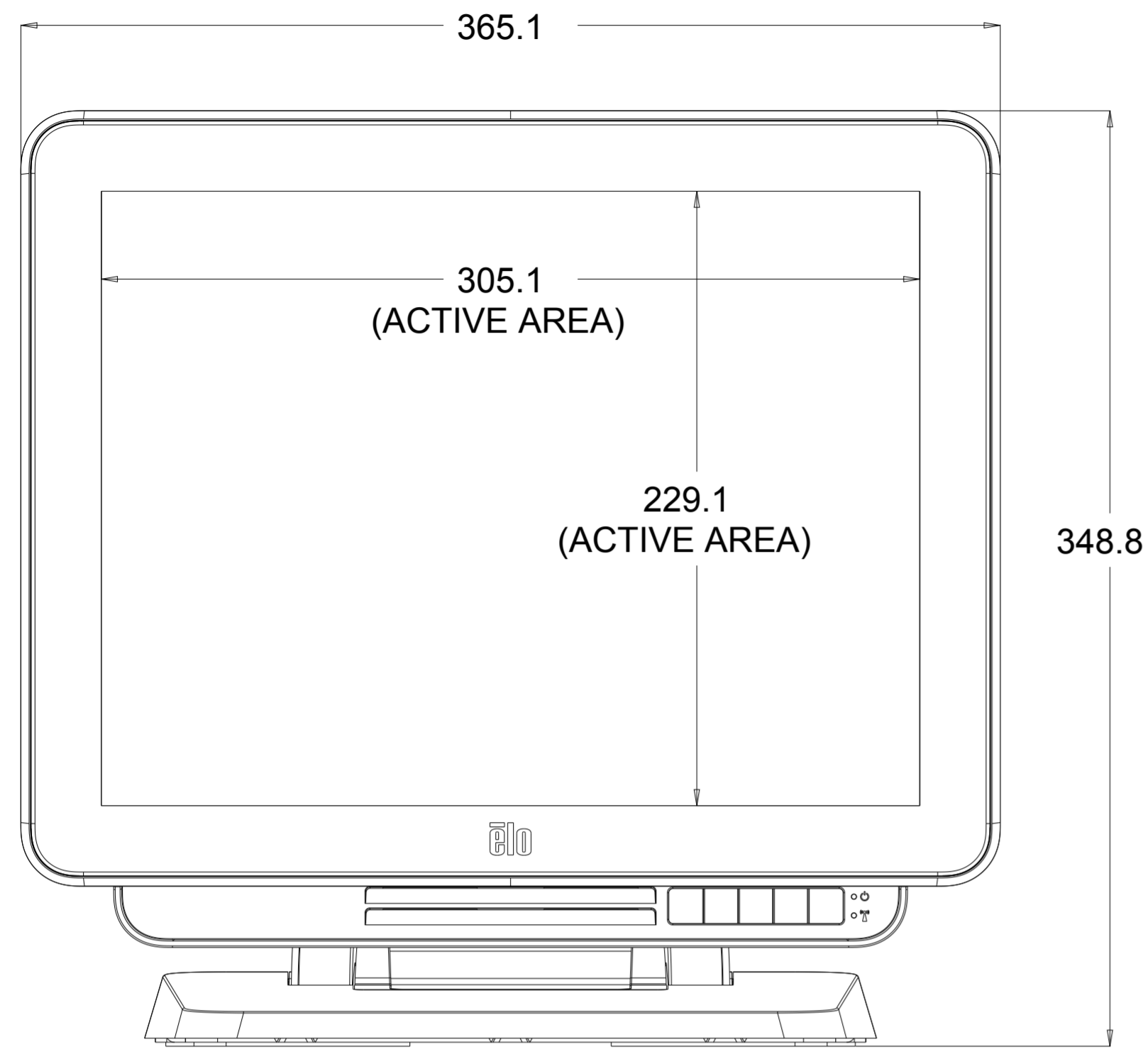
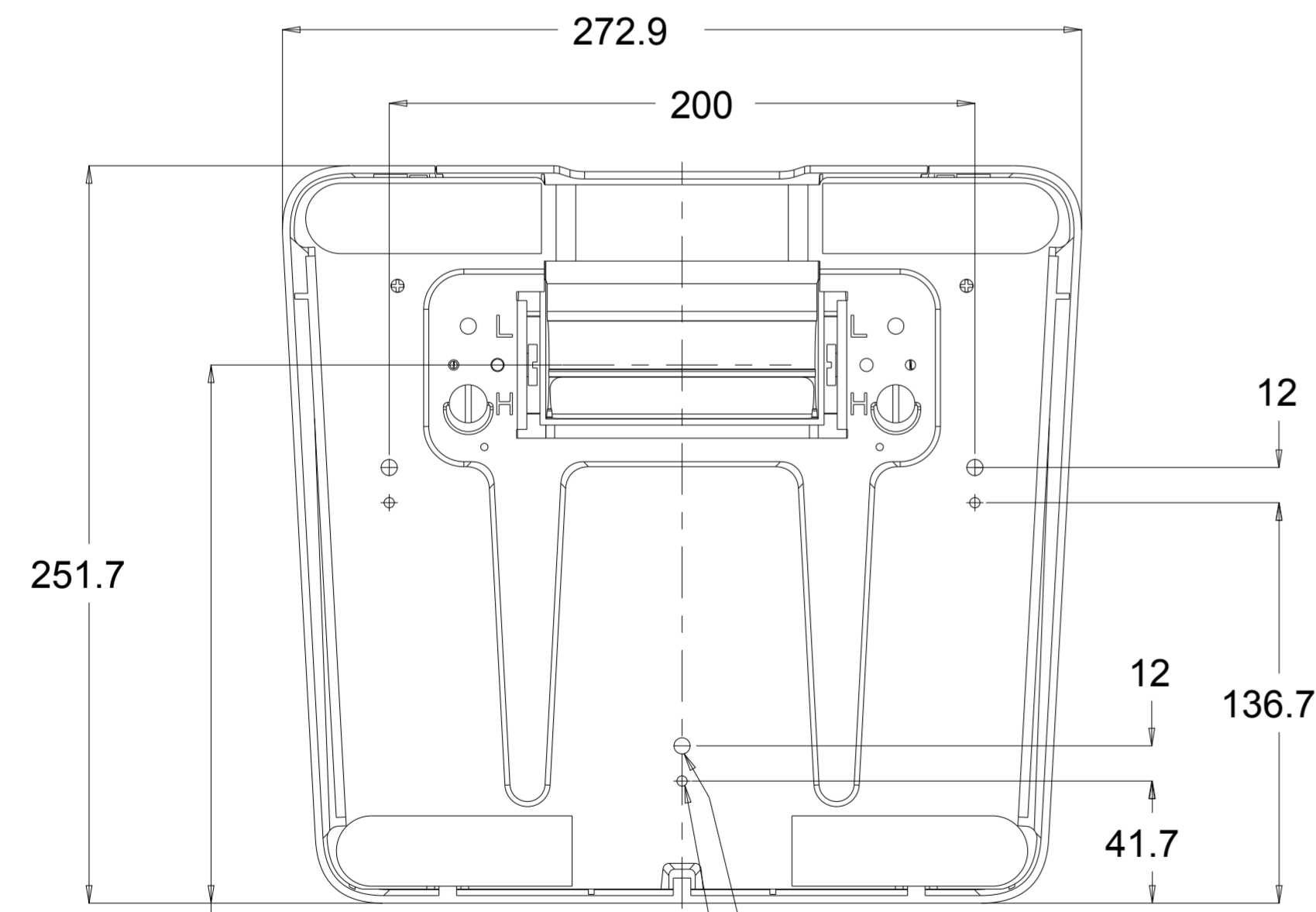


(SEE PG. 2 FOR 17")

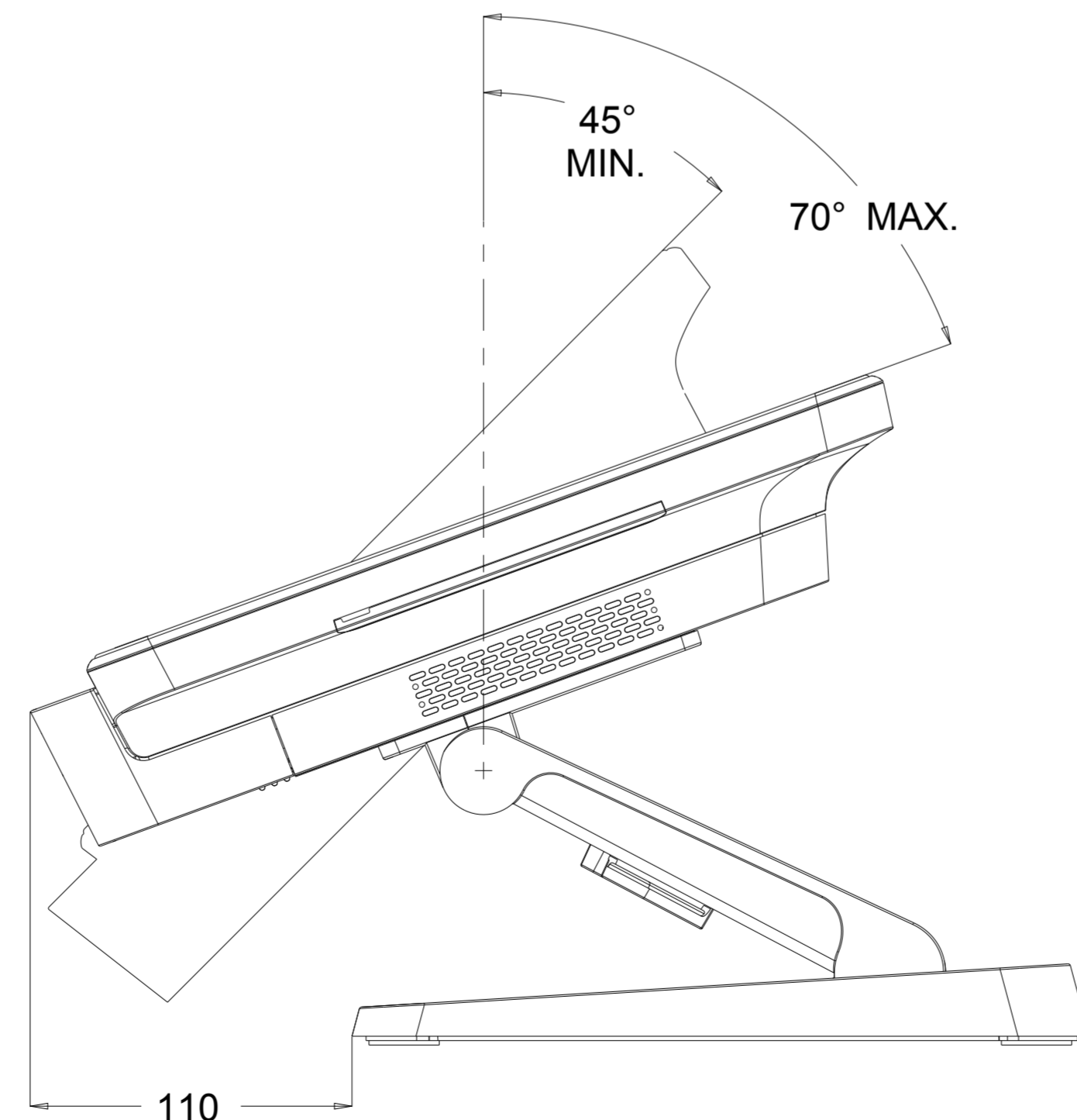


DISPLAY ANGLE RANGE IN HIGH POSITION

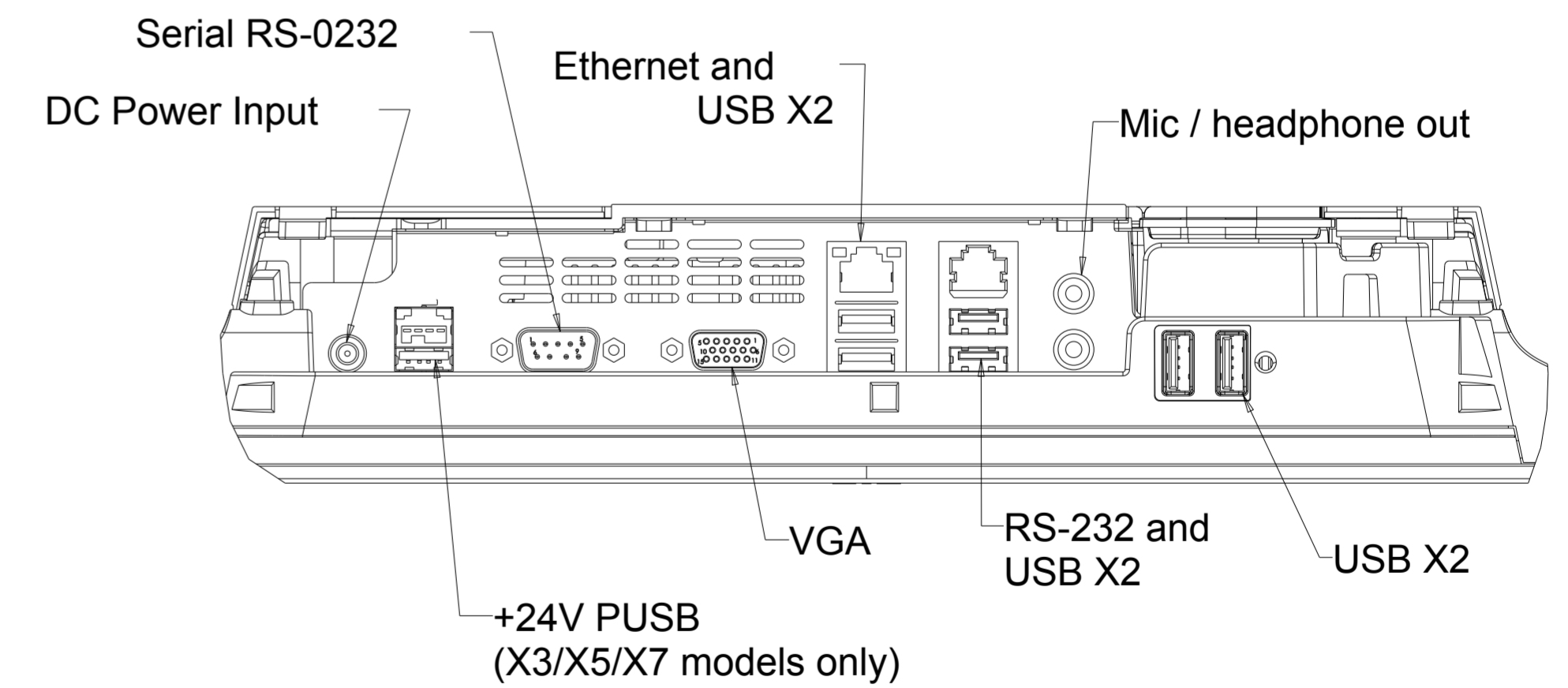


MOUNTING OPTIONS FOR 15"/17" STAND BASE

M4 THREAD, MAX. SCREW LENGTH 7mm FROM MOUNTING SURFACE, X3

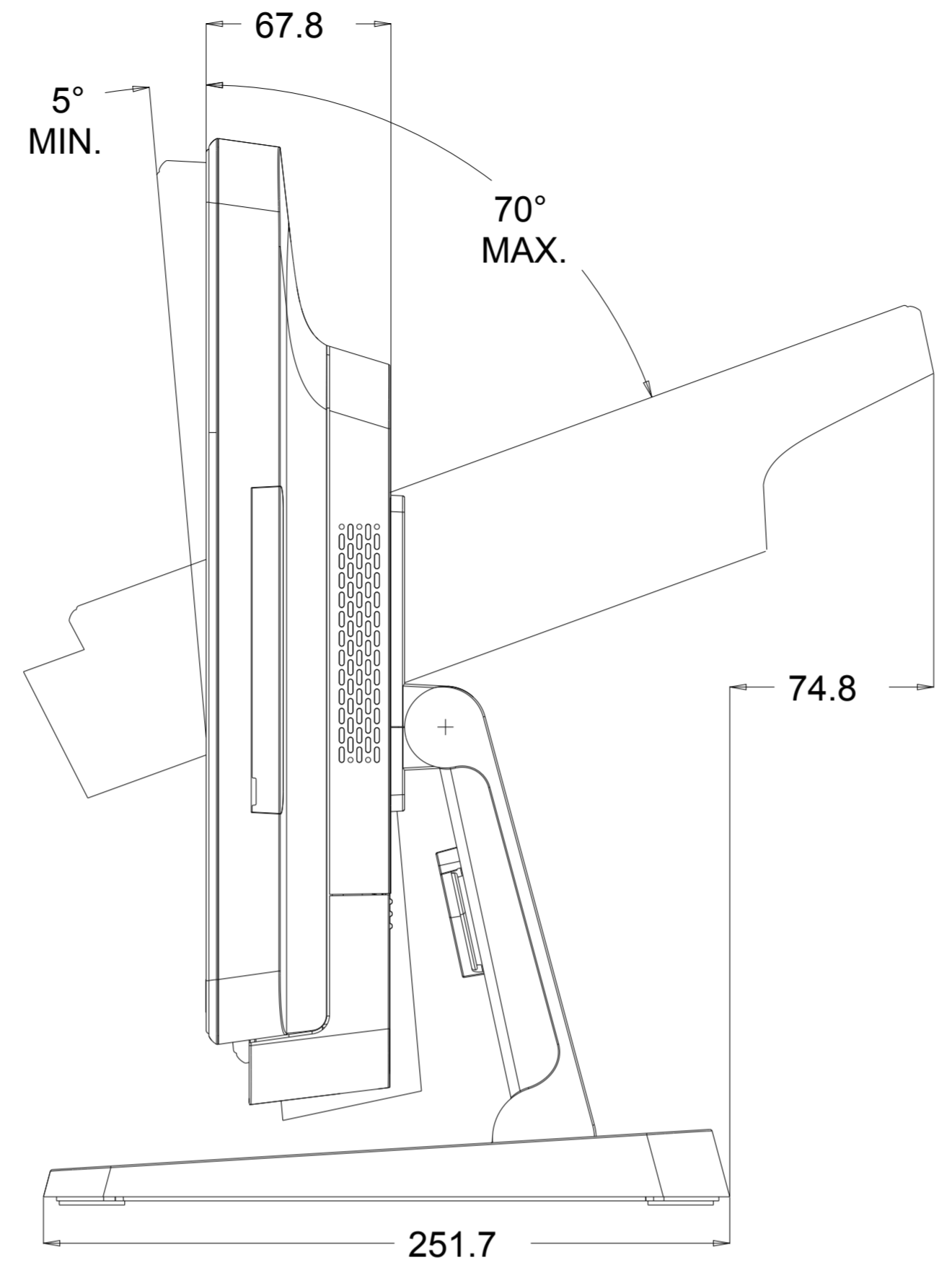
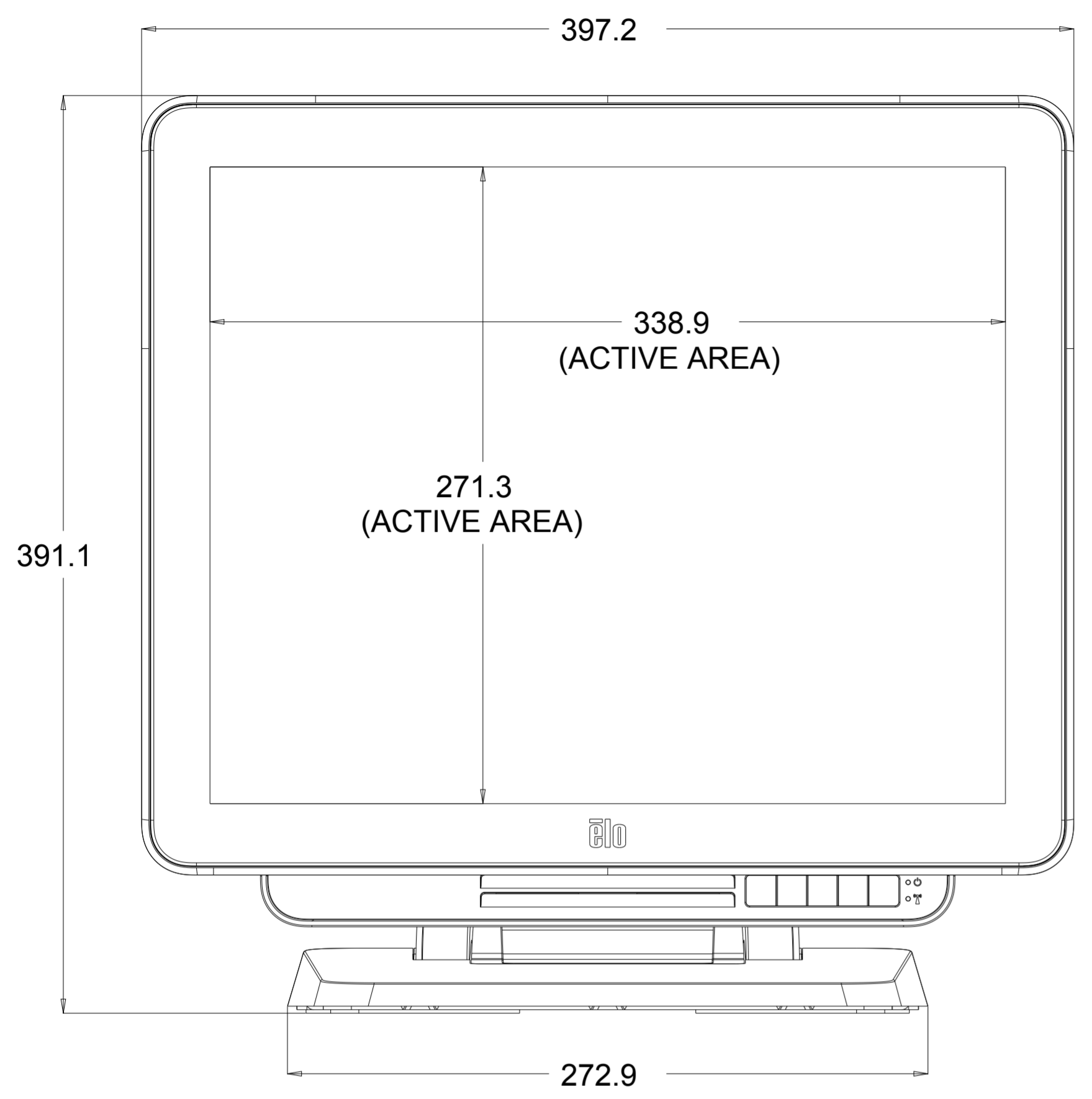


DISPLAY ANGLE RANGE IN LOW POSITION

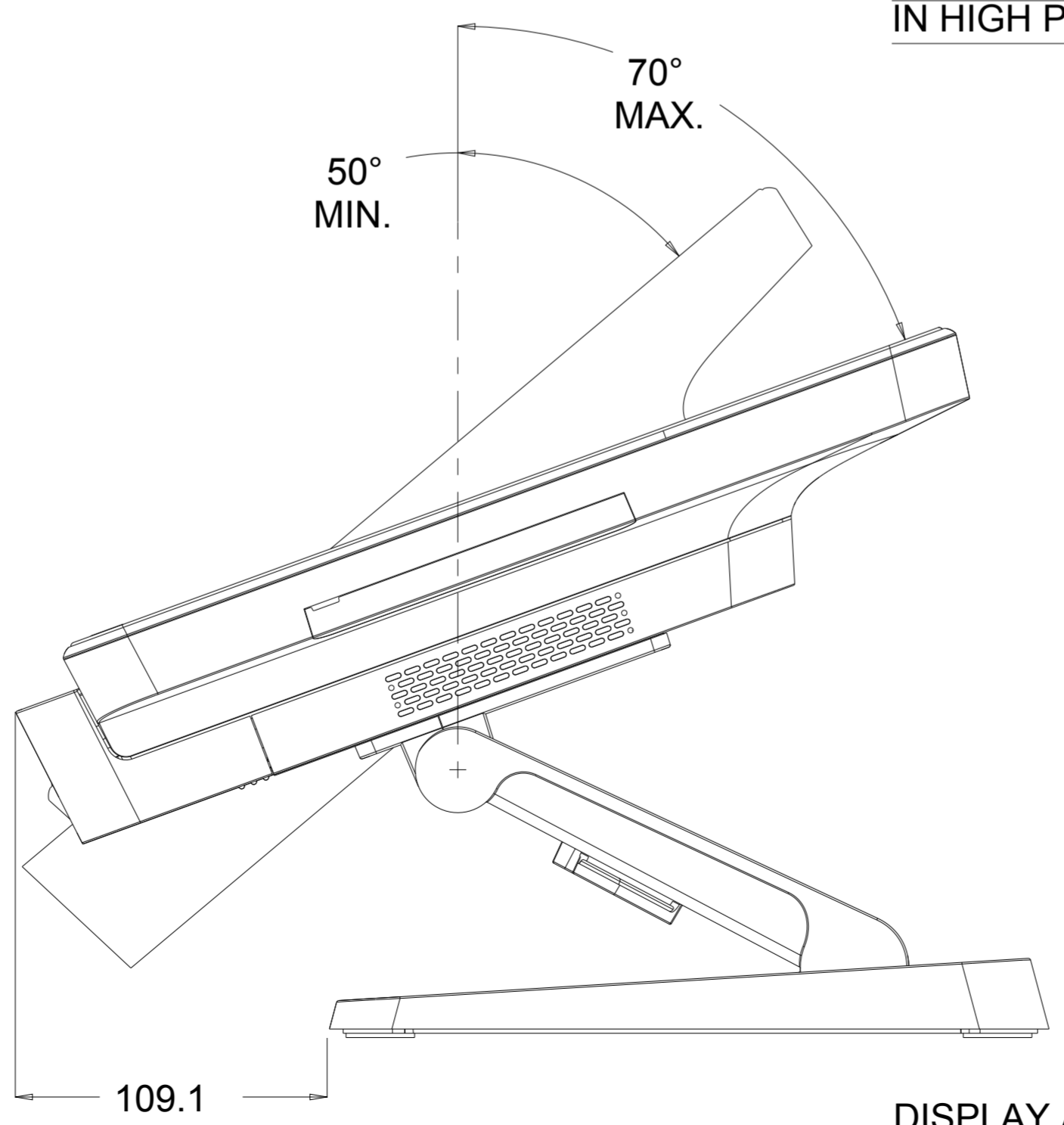


X-SERIES (15" / 17") I/O

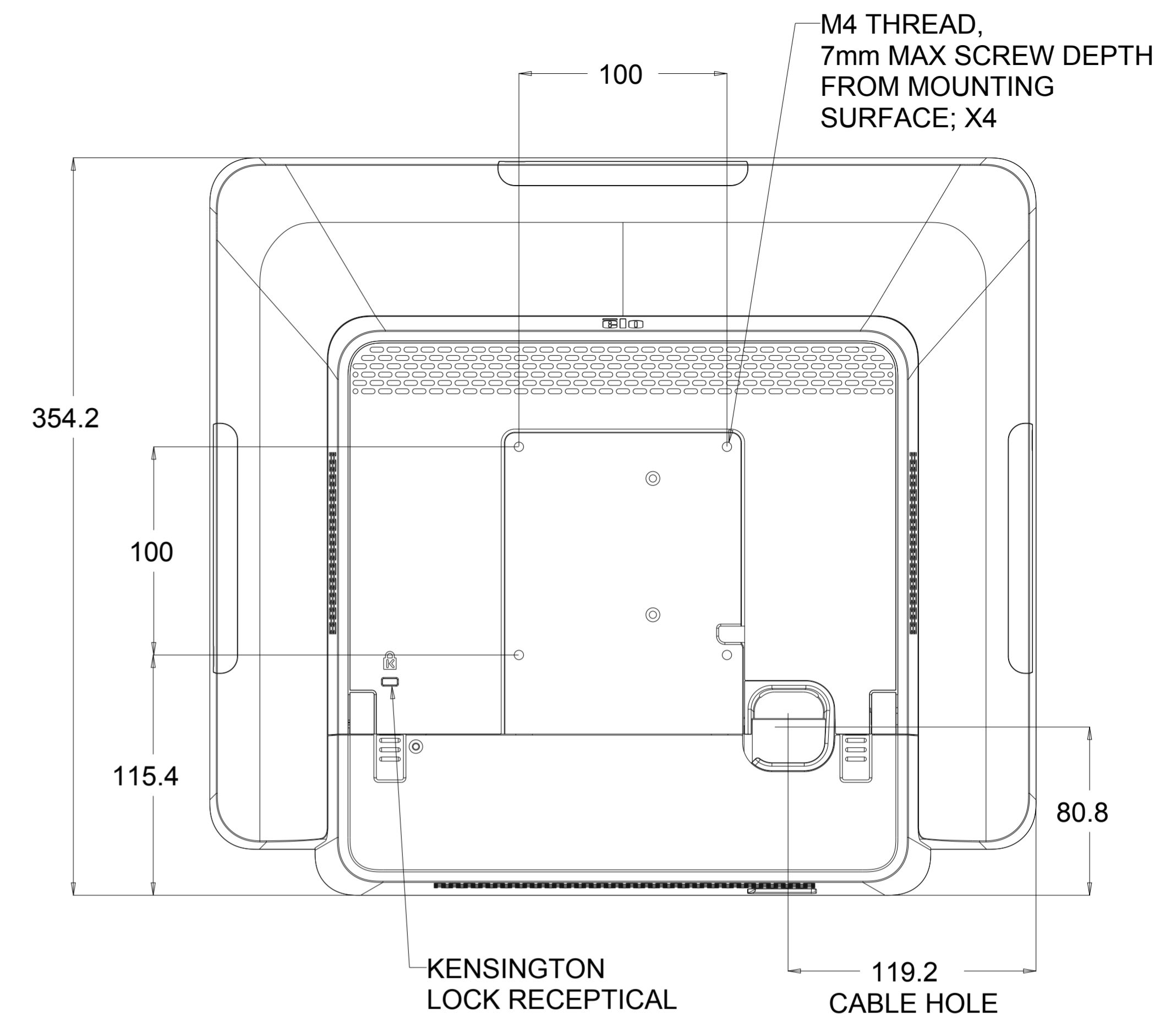
(SEE PG. 1 FOR 15")



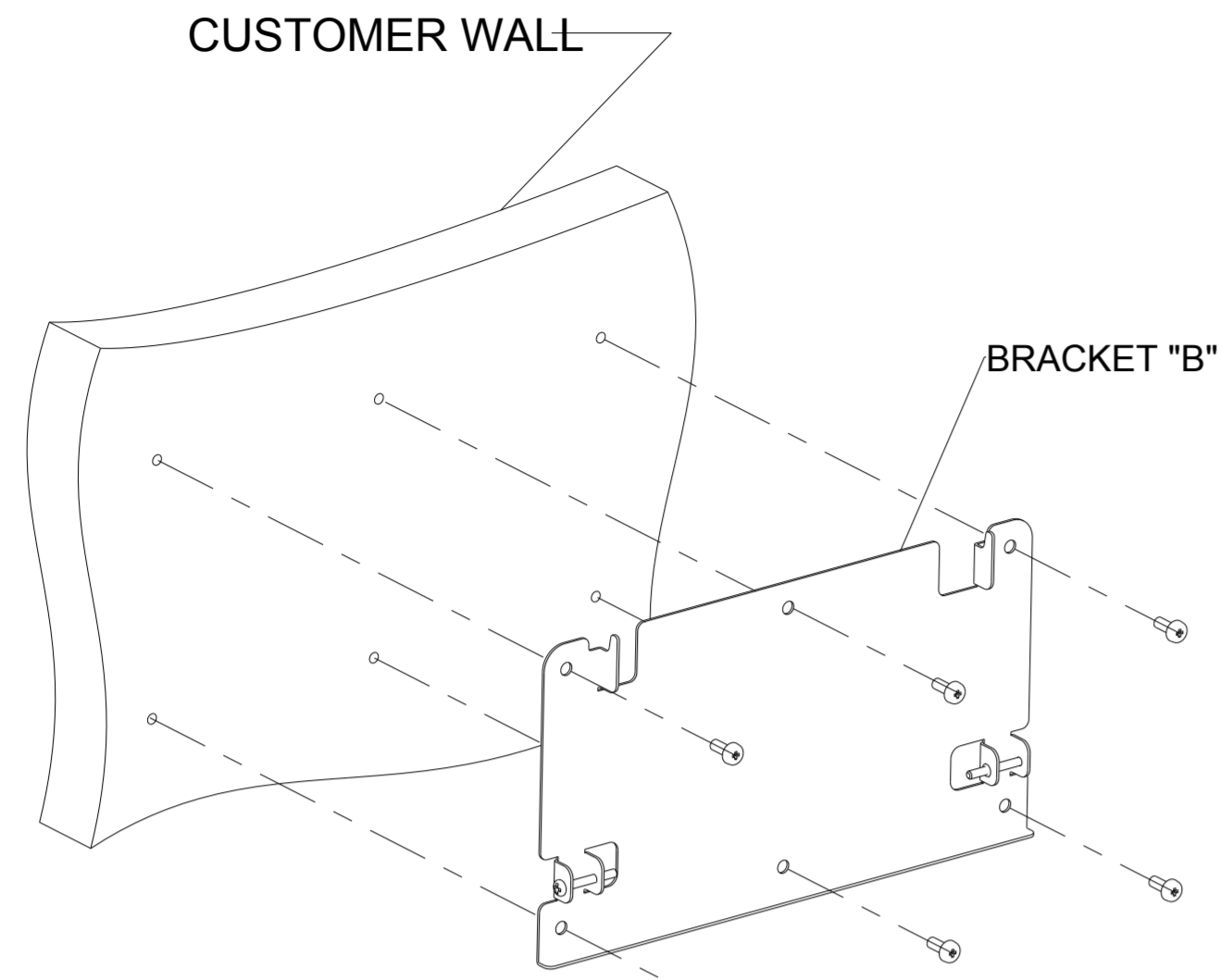
DISPLAY ANGLE RANGE IN HIGH POSITION



DISPLAY ANGLE RANGE IN LOW POSITION



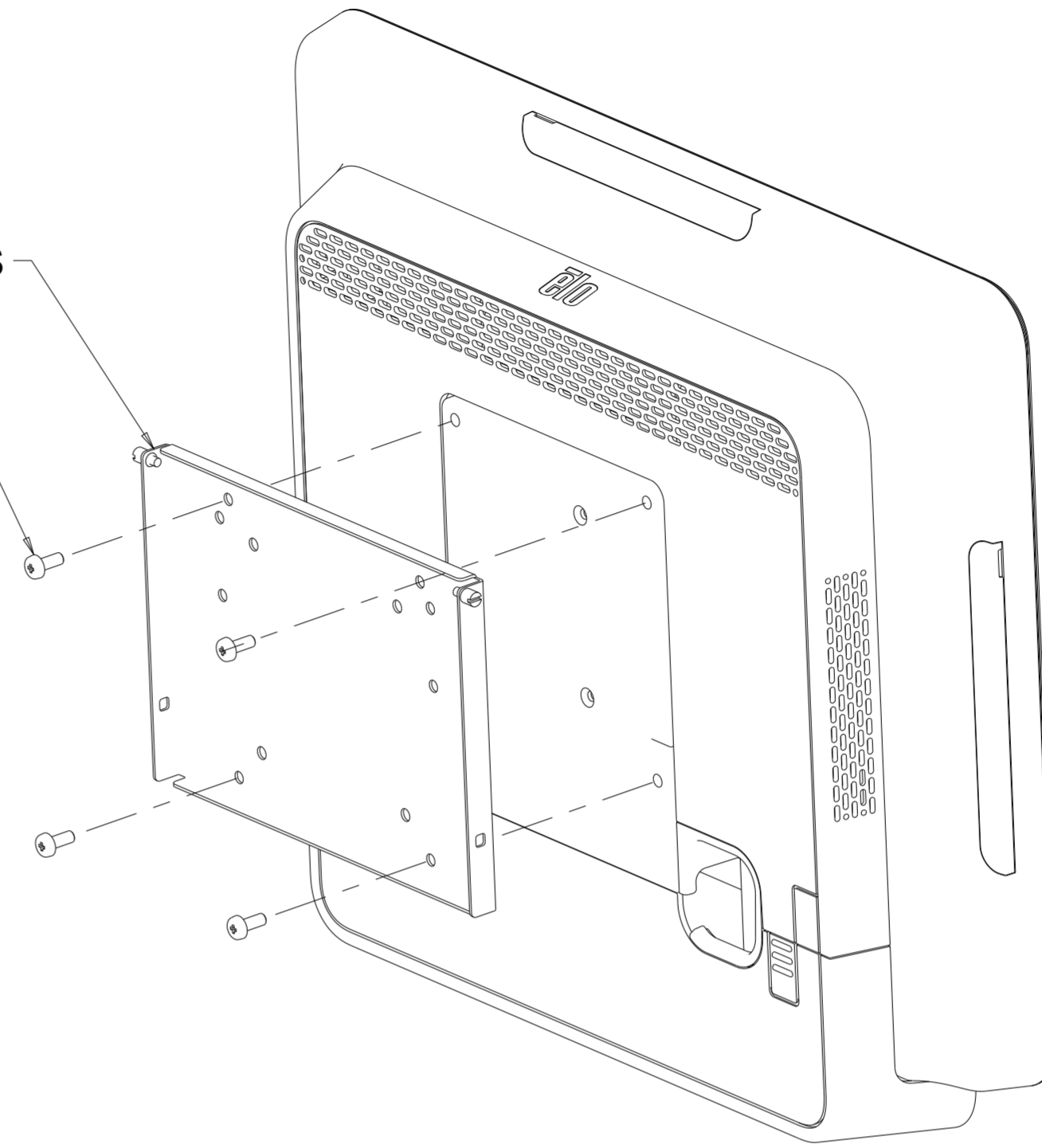
WALL MOUNT WITH OPTIONAL BRACKET ASSEMBLY,
P/N E143088



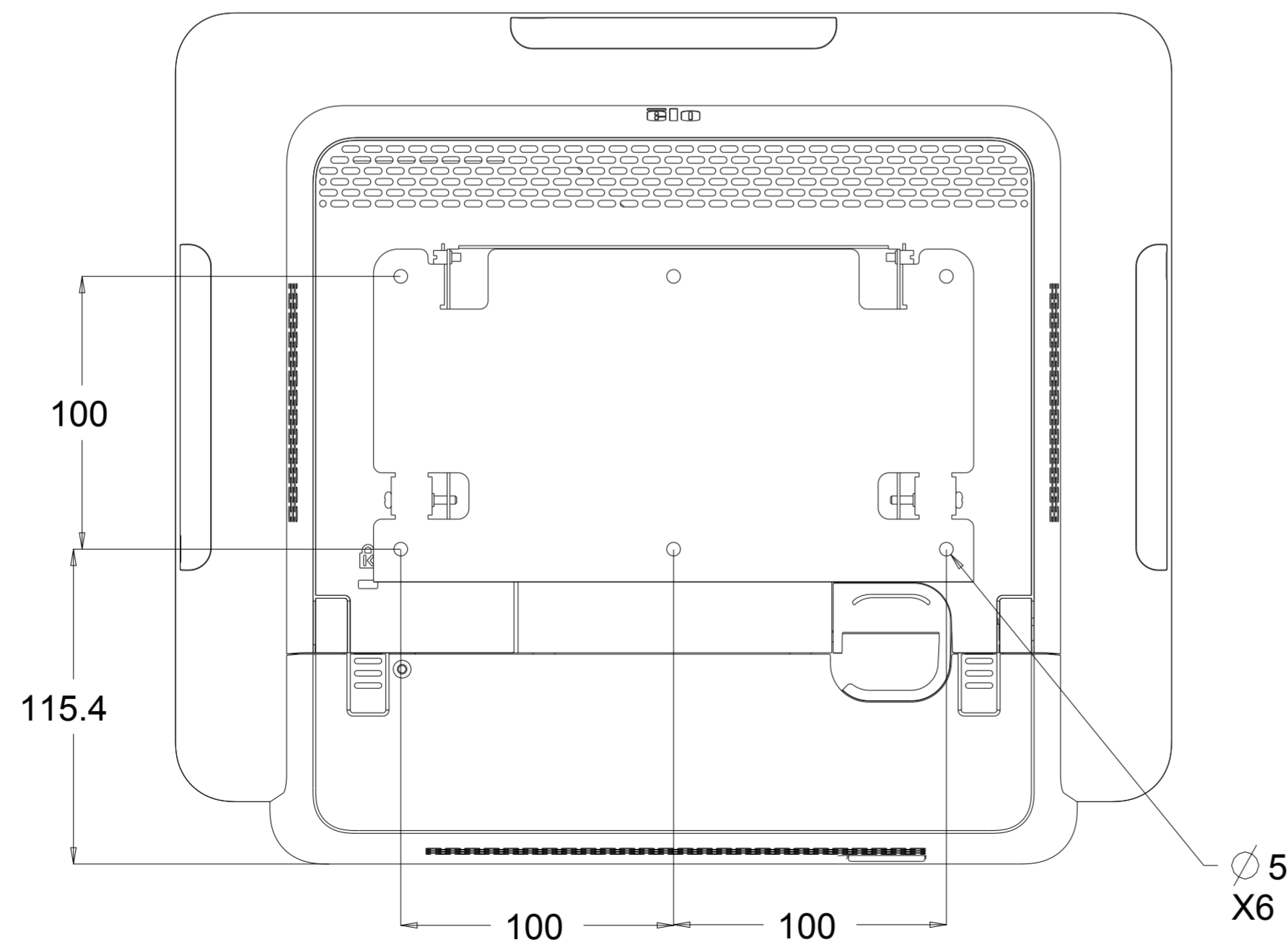
SCREWS NOT INCLUDED.
CHOOSE APPROPRIATE SCREW
TYPE FOR WALL MATERIAL (X6);
MAX. SCREW 5.5mm,
MAX. HEAD /WASHER 18mm,
MAX. HEAD HEIGHT INCLUDING
WASHER 9mm

BRACKET "A" + MOUNTING SCREWS

M4X6L PHILIPS PAN HEAD SCREWS,
(X4) INCLUDED IN WALL MOUNT KIT



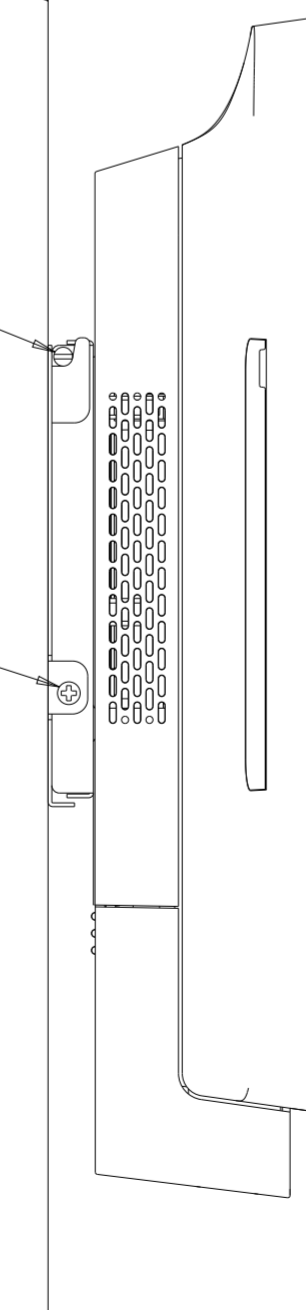
DIMENSIONS FROM BRACKET "B"
TO COMPUTER WHEN MOUNTED TO WALL.



CUSTOMER WALL

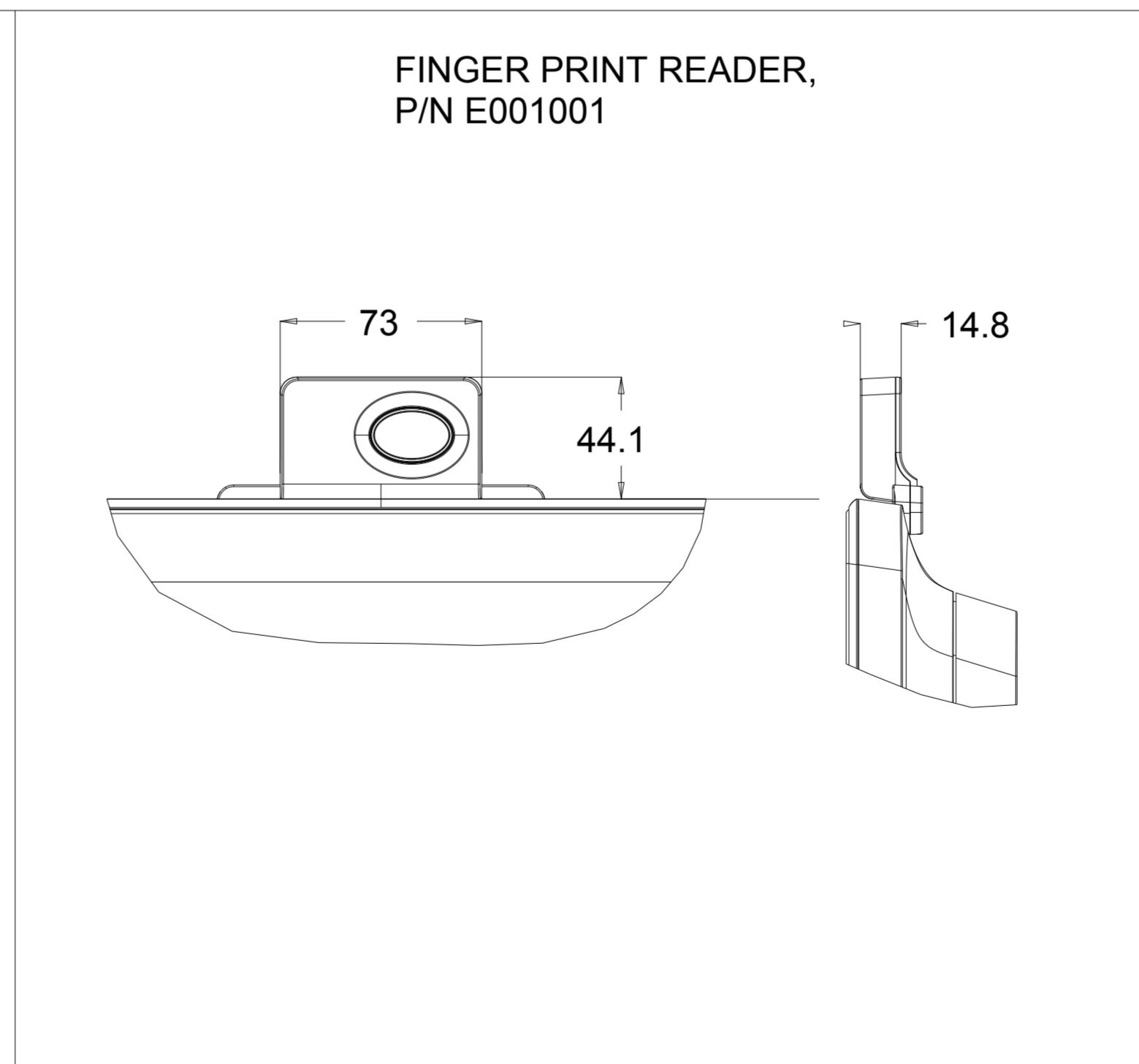
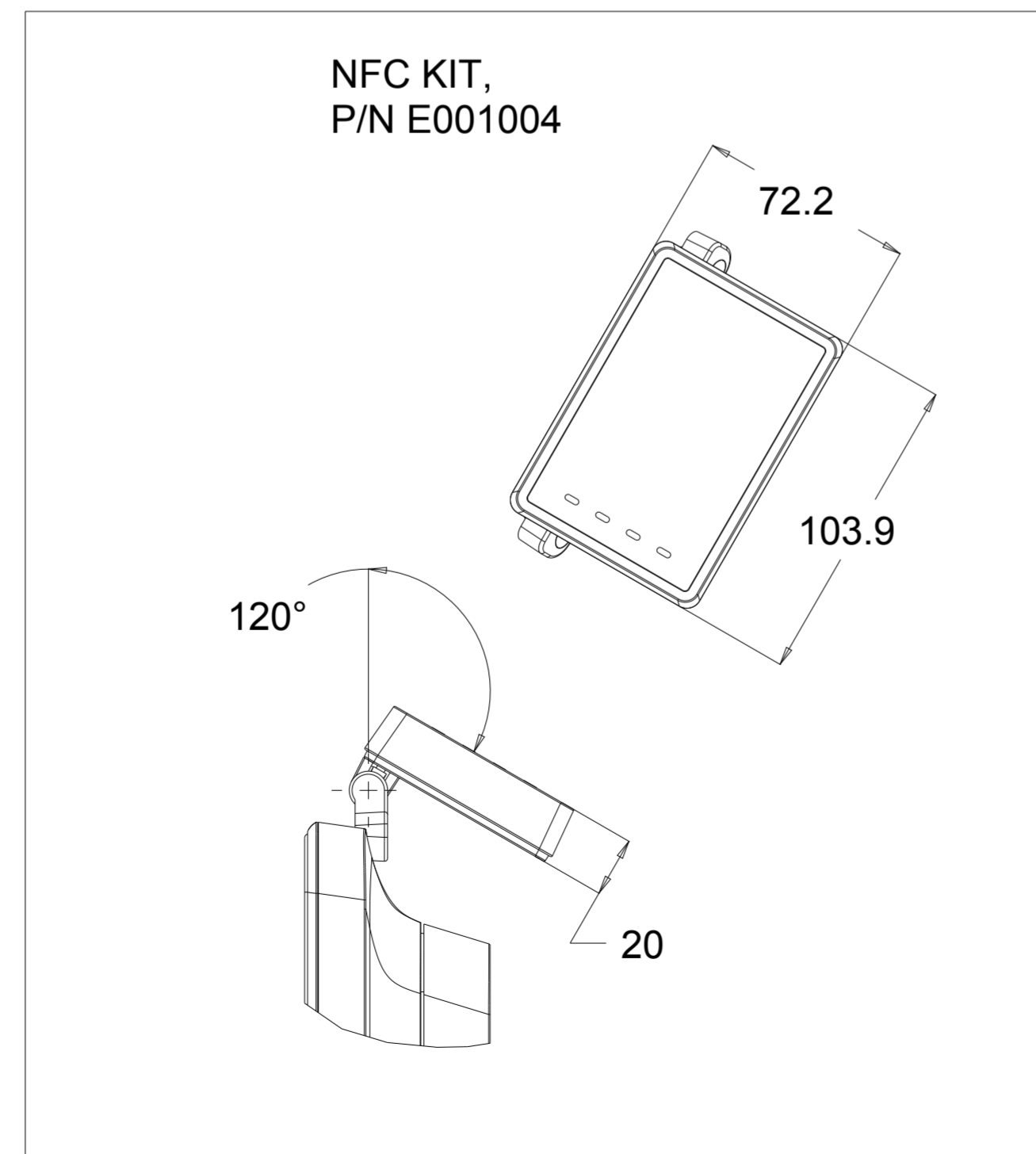
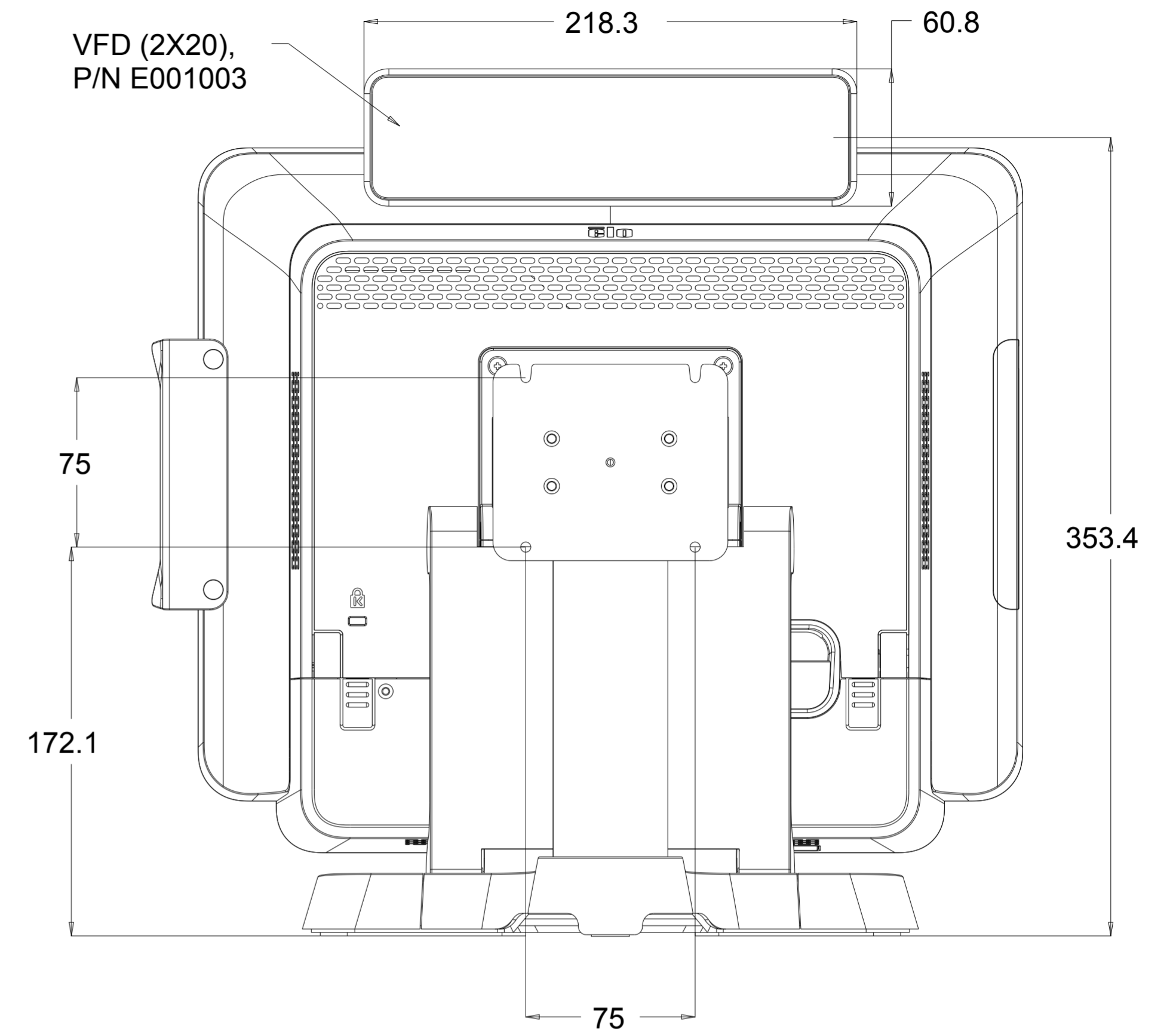
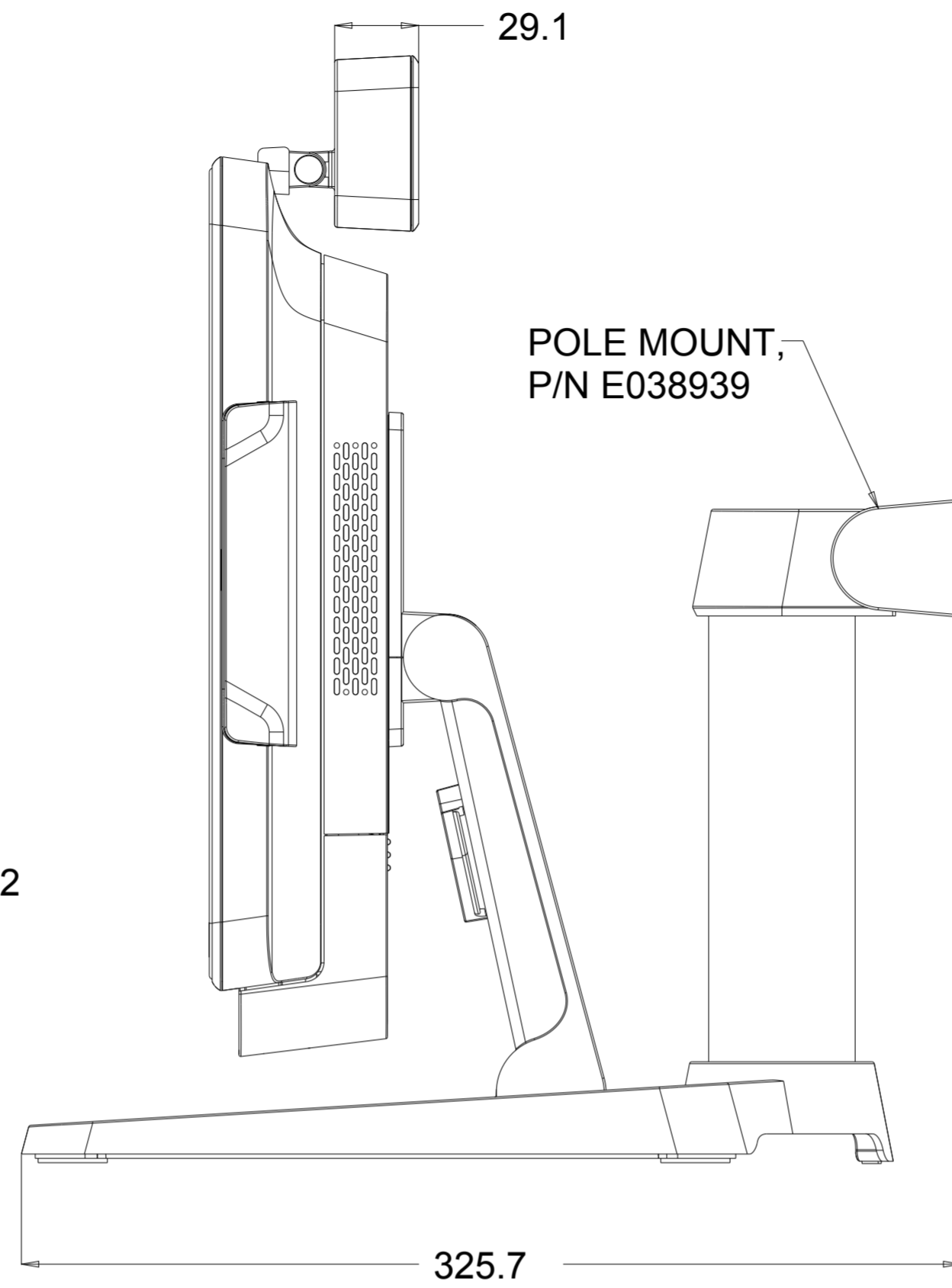
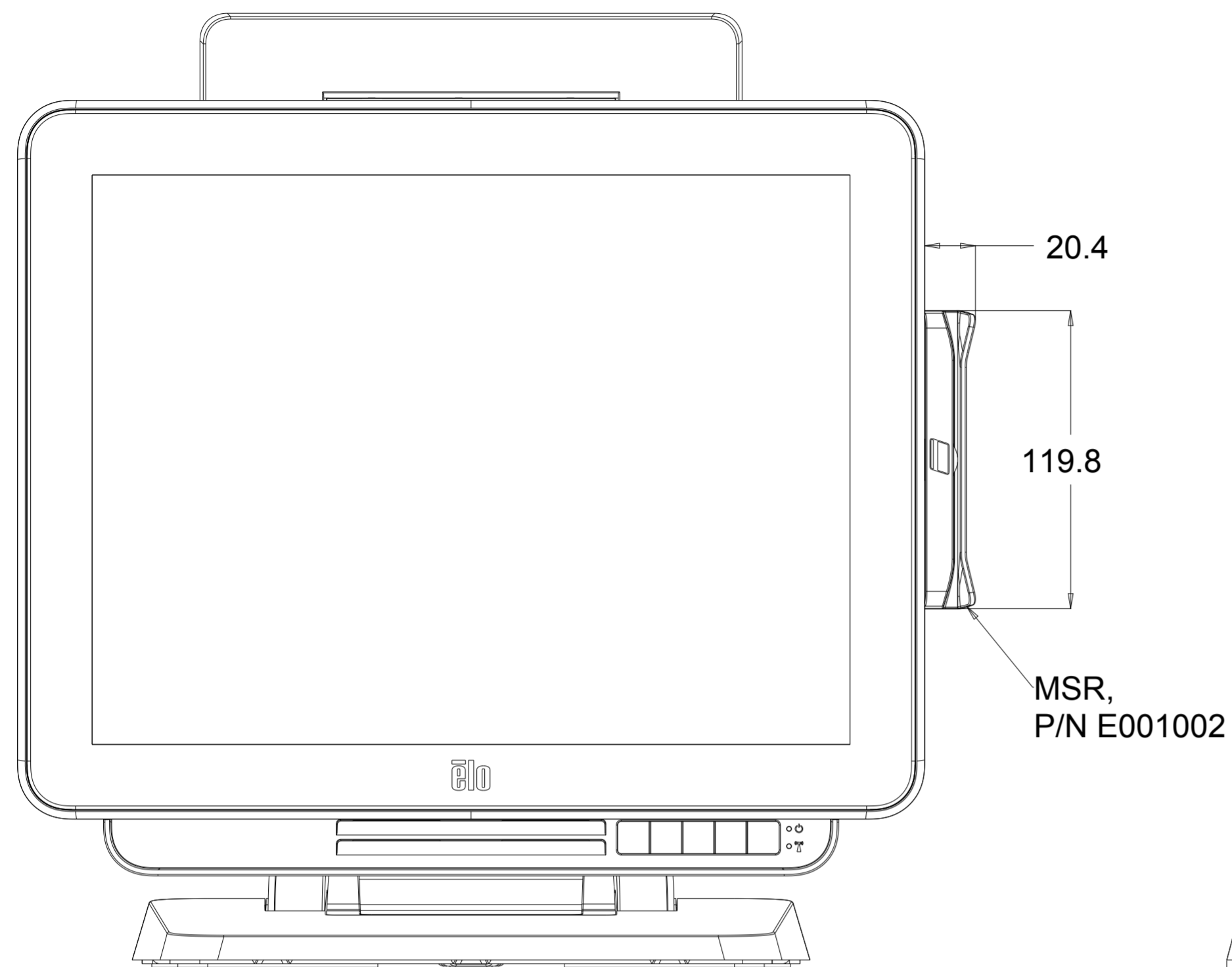
INERT PINS FROM BRACKET "A"
INTO HOOKS FROM BRACKET "B"

SECURE SCREWS (L + R SIDE)



74.3 = 15"
79.8 = 17"

OPTIONAL ACCESSORY KITS



EXPANSION MODULE,
P/N E001006

