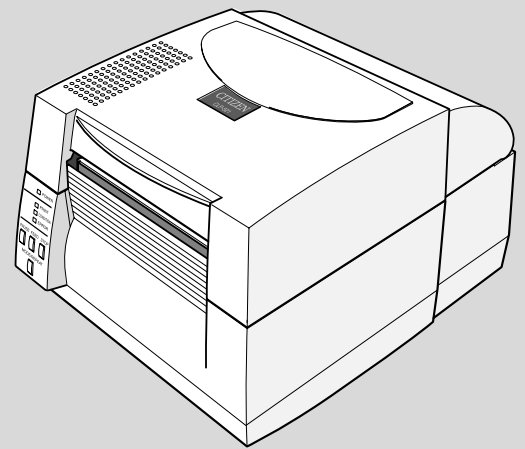


CITIZEN®

NETWORK INSTALLATION GUIDE

This guide explains how to install the Ethernet LAN and WiFi Wireless LAN cards in to your Citizen label printer.

You should consult your dealer or distributor for more information if you are not completely sure of how to perform this operation.



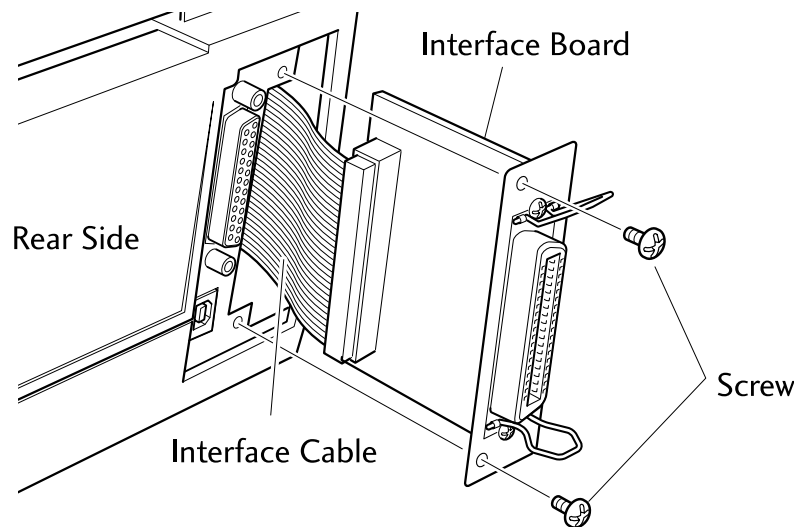


Caution

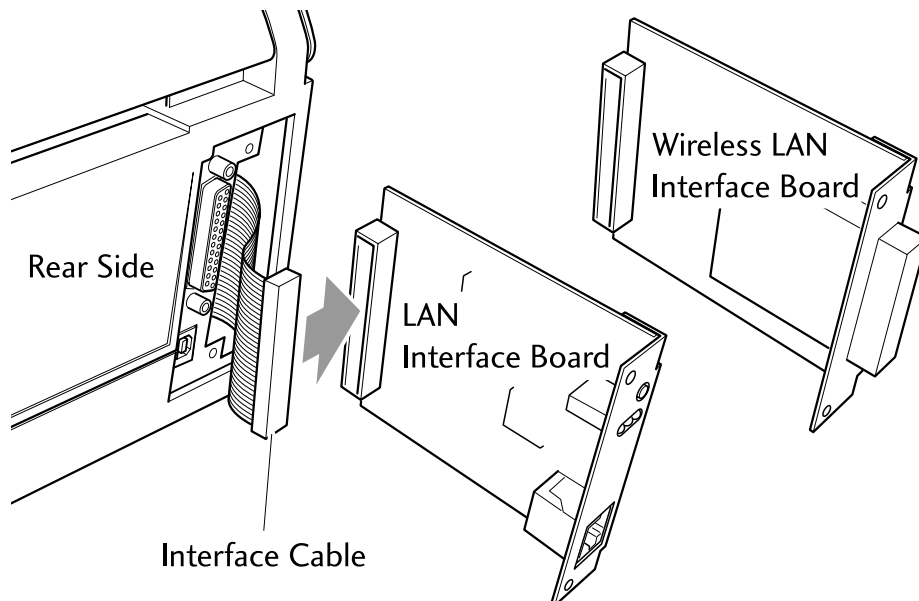
Always turn off the power to the printer and remove the power cord before replacing the interface board.

Replacing the Interface Board

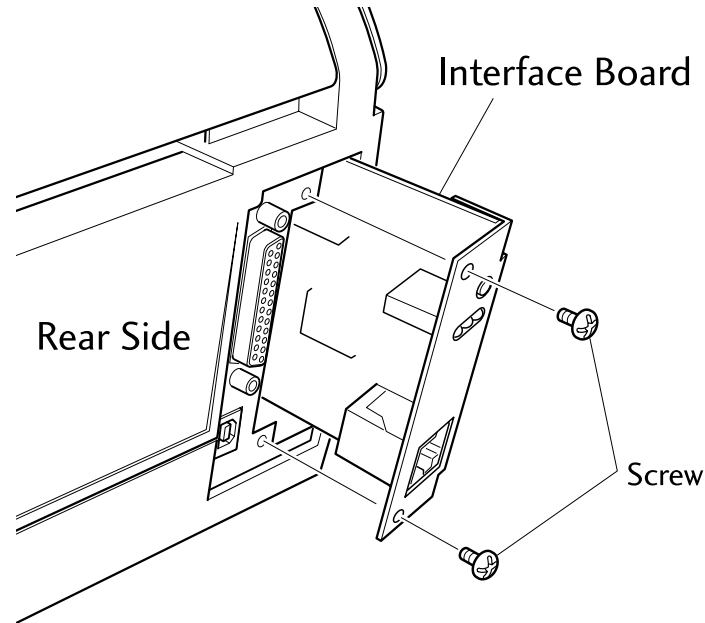
1. Remove the two screws that fix the bracket of the parallel interface board to the printer. Then gently pull the interface board towards you. When you do this, be careful not catch or damage the connecting cable. Do not pull the cable too much as this could also cause damage.



2. Remove the connecting cable from the interface board and reconnect the cable to the connector of the new interface board



3. Insert the interface board into the printer so that the connecting cable does not catch on the printer. The new board is slightly larger than the original board, so the interface cable will need to be tucked in carefully.
4. Use the two screws that you removed to re-fix the bracket in place.



Testing the Interface Board

5. To test the interface board's correct operation, connect the power cord to the printer, insert some standard media, preferably 4" x 4" labels (100mm x 100mm), then switch on the power.
6. Briefly press the blue button visible on the new interface's bracket. This will produce an "network self-test page".

If you have an ethernet cable connected or if a WiFi card is logged on to a wireless network, the "network self-test page" will show you details of any network parameters already configured.

```
(C) 2003 Citizen Watch Co Ltd
Status Page WLAN-PRINTSERVER
-----
General Status
Print server model      : WLAN-PRINTSERVER
Serial number          : 14820030100005
Hardware address WLAN  : 0060b36aaf34
Software version       : 9.5.10
Hardware version       : 1.0
Hardware address       : 00:c0:eb:06:b3:89
Network                : Wireless (802.11b)
Date and time          :
Service information    : /103/12/3/6/

Wireless
Mode                   : Auto
Connection Status     : Infrastructure
Network name          : <ANY>
Current network name  : CSE-LanG2
Channel               : 3
Encryption            : OFF
Speed                 : 11 Mbps
Level                 : 100 %

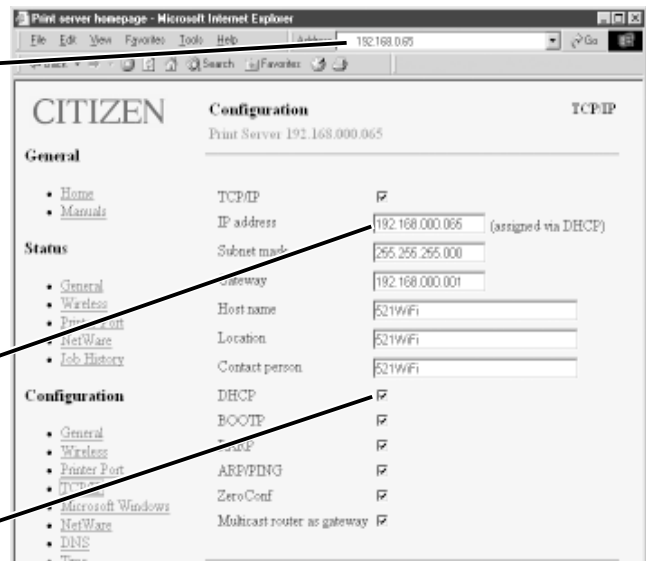
TCP/IP
IP address             : 192.168.000.065 (assigned via DHCP)
Subnet mask           : 255.255.255.000
Gateway               : 192.168.000.001
ARP/PING              : ON
BOOTP                 : ON
RARP                  : ON
DHCP                  : ON
ZeroConf              : ON

Novell
Novell name           : IC06B389
Print server mode     : ON
R/N printer           : ON
```

Configuring the Interface using Explorer

- To configure the network board, you can use the "PrintServer Network Tools" included on the CD supplied with the network board. However, the easiest way to configure the board is to use a Web Browser, such as Internet Explorer, running on a PC connected to the same network.
- If you have a "DHCP Server" operating on your network (a system that 'gives out' network addresses to new equipment), you can easily find out the address allocated to the printer by briefly press the blue button visible on the network board's bracket. This will generate the "network self-test page", shown on the previous page.
- On the self-test, under the TCP/IP section, there will be a line saying "IP address" together with four groups of digits separated by dots. It should also say "assigned by DHCP" next to it.
- Start "Internet Explorer" or a similar web browser on a PC connected to the same network. When entering this network address, you should remove the 'leading zeros' on the address. So the sample above would become "192.168.0.65", which is typed in to the address bar.

- To 'force' a new IP address for the printer, click on the TCP/IP menu under the configuration section. Type in the new address in the 'IP address' line and adjust any other parameters. It is also very important that you **untick the DHCP box**, otherwise the printer will continue to take its address from the DHCP server, rather than using the new address you typed in.



- For further information, please visit the technical support section of Citizen's web site:

www.citizen-europe.com