

# PM43

Full Roll Rewinder

**Installation Instructions**

Intermec Technologies Corporation

Worldwide Headquarters

6001 36th Ave.W.

Everett, WA 98203

U.S.A.

[www.intermec.com](http://www.intermec.com)

The information contained herein is provided solely for the purpose of allowing customers to operate and service Intermec-manufactured equipment and is not to be released, reproduced, or used for any other purpose without written permission of Intermec Technologies Corporation.

Information and specifications contained in this document are subject to change without prior notice and do not represent a commitment on the part of Intermec Technologies Corporation.

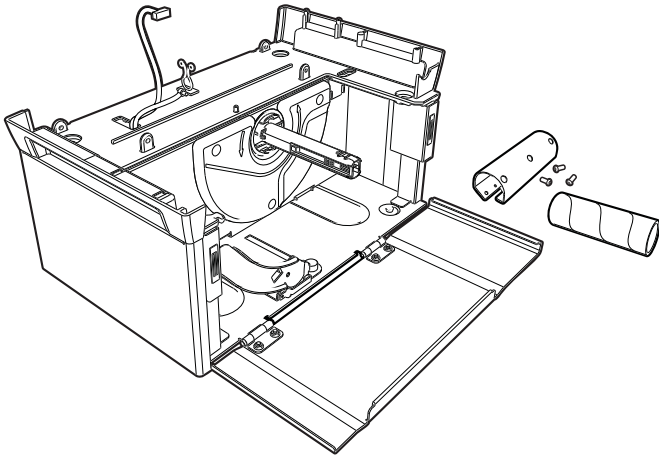
© 2012 by Intermec Technologies Corporation. All rights reserved.

The word Intermec, the Intermec logo, Norand, ArciTech, Beverage Routebook, CrossBar, dcBrowser, Duratherm, EasyADC, EasyCoder, EasySet, Fingerprint, INCA (under license), i-gistics, Intellitag, Intellitag Gen2, JANUS, LabelShop, MobileLAN, Picolink, Ready-to-Work, RoutePower, Sabre, ScanPlus, ShopScan, Smart Mobile Computing, SmartSystems, TE 2000, Trakker Antares, and Vista Powered are either trademarks or registered trademarks of Intermec Technologies Corporation.

There are U.S. and foreign patents as well as U.S. and foreign patents pending.

# Install the Full Roll Rewinder

Use these instructions to install the full roll rewriter on the Intermec PM43 printer.



You will need these tools to install the full roll rewriter:

- #T20 Torx screwdriver
- Small wrench.



Warning

**The full roll rewriter must only be installed by an authorized service technician.**



Follow ESD  
Procedures

**Follow standard ESD guidelines to avoid damaging the equipment you are servicing.**



Caution

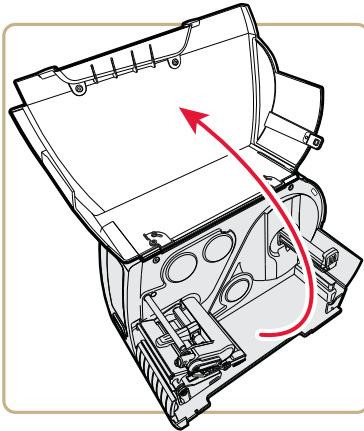
**Before you begin, turn off the printer and disconnect the power cord and communication cables.**



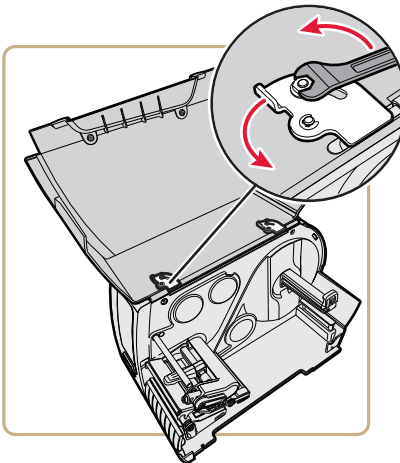
The electronic compartment contains wires and components with dangerous voltage (up to 380 V). Make sure that the printer is switched off and the power cord is disconnected before the cover is removed.

**To remove the media cover**

- 1 Open the media cover.



- 2 Use the small wrench to loosen the nut that secures the media cover latches in place.
- 3 Slide the latches counterclockwise into the open position.

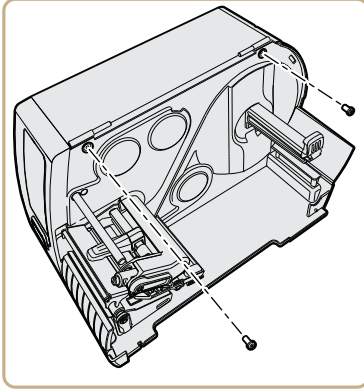


- 4 Lower the media cover and lift it off the hinges.

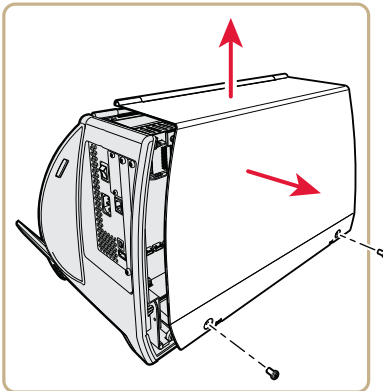
- 5 Put the media cover aside on a soft cloth to avoid scratches.

**To remove the electronics cover**

- 1 Use a T20 Torx screwdriver to remove the two screws that secure the electronics cover to the inside of the printer base.



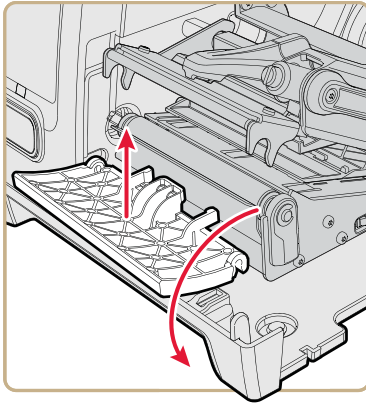
- 2 Use a T20 Torx screwdriver to remove the two screws located on the outside of the electronics cover.



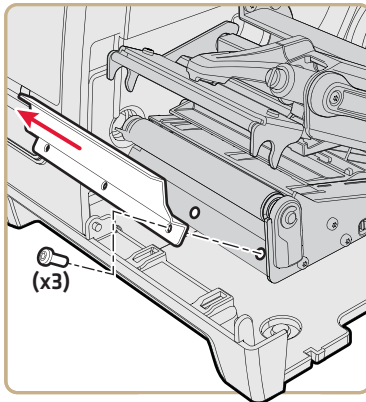
- 3 Remove the electronics cover, and put the cover aside on a soft cloth to avoid scratches.

### To install the full roll rewinder

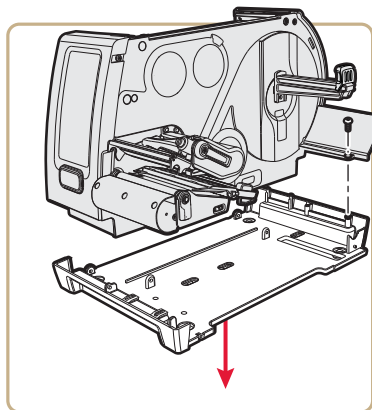
- 1 Open the media access door and pull up on the ends of the door until it snaps off of the printer base.



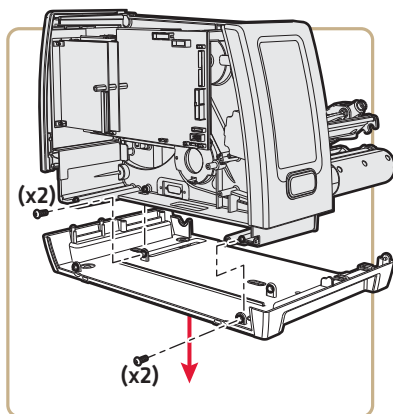
- 2 Remove the three screws that connect the tear bar to the printer and remove it.



- 3 Remove the five screws that attach the printer spine to the base.



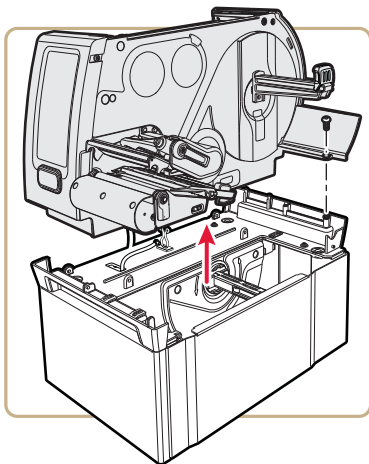
***Remove One Screw from the Media Side of Base***



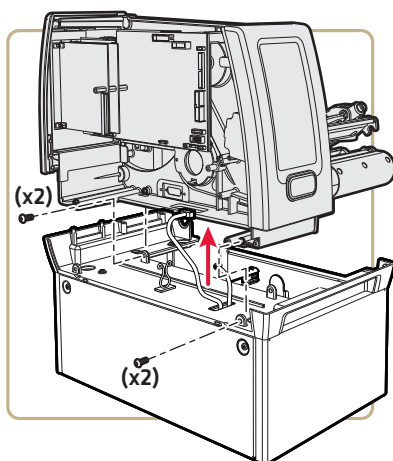
***Remove Four Screws from the Electronics Side of Base***

- 4 Lift the spine away from the printer base.

- 5 Attach the spine to the full roll rewinder with the five screws removed in Step 3.



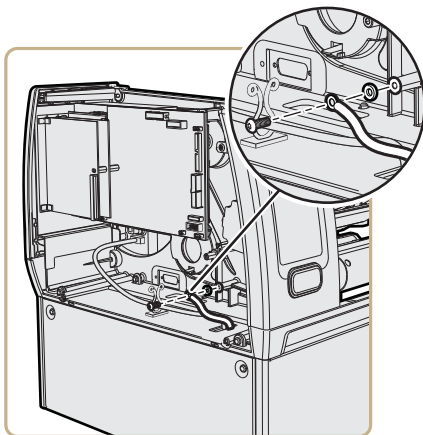
***Attach the Spine with One Screw on the Media Side***



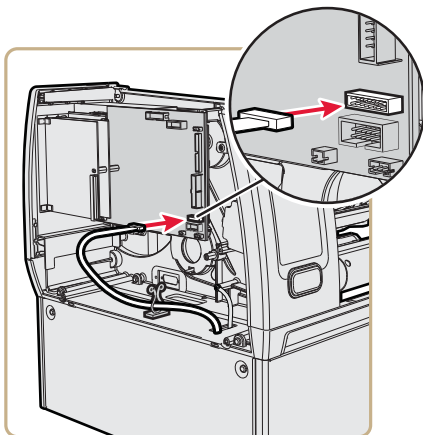
***Attach the Spine with Four Screws on the Electronics Side***



- 6** Connect the grounding strap to the printer spine with one of the screws. Make sure the M4 serrated washer is located between the extrusion from the base and the grounding strap.

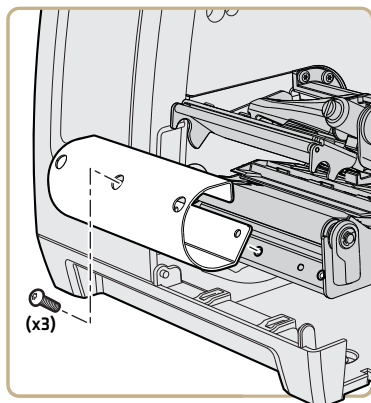


- 7** Feed the full roll rewriter cable through the cable clip and then insert it into the RWNDR connector on the main logic board.

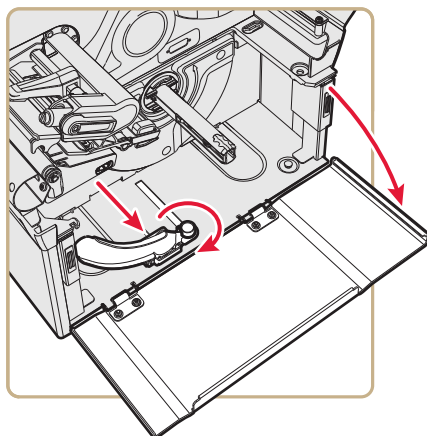


- 8** Replace the electronics cover.

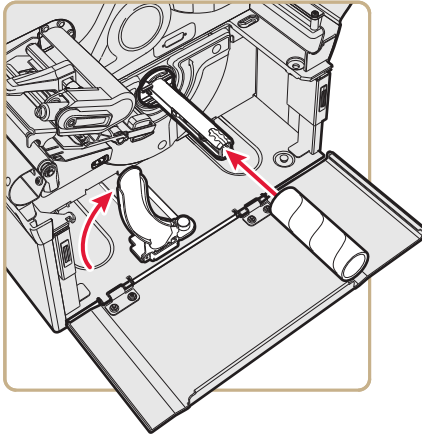
- 9** Attach the batch plate with the three screws you removed from the tear bar in Step 2.



- 10** Replace the media cover.
- 11** Open the full roll rewriter door and move the media roll guide out to the edge of the base.

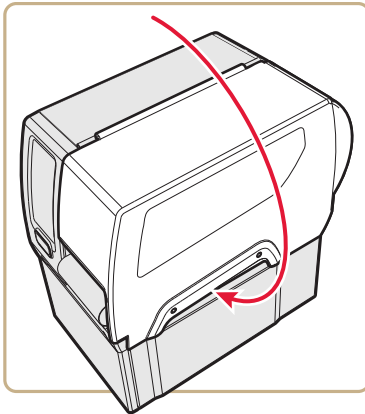


- 12** Raise the media roll guide to the upright position and insert the cardboard core onto the media roll rewriter hub.



- 13** Close the full roll rewriter door.

- 14** Close the media cover.





Worldwide Headquarters  
6001 36th Avenue West  
Everett, Washington 98203  
U.S.A.

tel 425.348.2600

fax 425.355.9551

[www.intermec.com](http://www.intermec.com)

© 2012 Intermec Technologies  
Corporation. All rights reserved.



## PM43 Full Roll Rewinder Installation Instructions



P/N 931-098-001