

# PM43|PM43c

RFID Module

**Installation Instructions**

Intermec Technologies Corporation  
Worldwide Headquarters  
6001 36th Ave.W.  
Everett, WA 98203  
U.S.A.  
[www.intermec.com](http://www.intermec.com)

The information contained herein is provided solely for the purpose of allowing customers to operate and service Intermec-manufactured equipment and is not to be released, reproduced, or used for any other purpose without written permission of Intermec Technologies Corporation.

Information and specifications contained in this document are subject to change without prior notice and do not represent a commitment on the part of Intermec Technologies Corporation.

© 2012 by Intermec Technologies Corporation. All rights reserved.

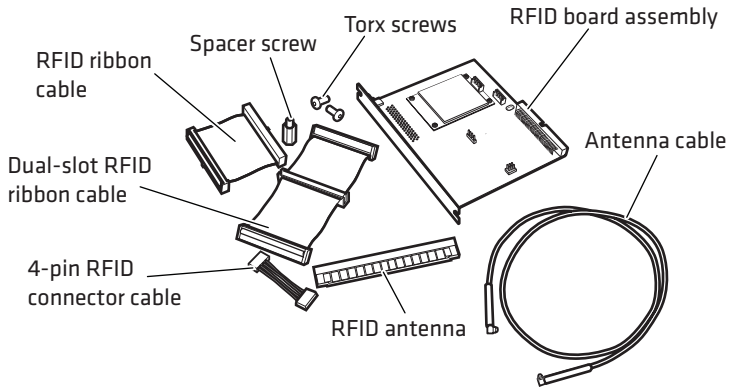
The word Intermec, the Intermec logo, Norand, ArciTech, Beverage Routebook, CrossBar, dcBrowser, Duratherm, EasyADC, EasyCoder, EasySet, Fingerprint, INCA (under license), i-gistics, Intellitag, Intellitag Gen2, JANUS, LabelShop, MobileLAN, Picolink, Ready-to-Work, RoutePower, Sabre, ScanPlus, ShopScan, Smart Mobile Computing, SmartSystems, TE 2000, Trakker Antares, and Vista Powered are either trademarks or registered trademarks of Intermec Technologies Corporation.

There are U.S. and foreign patents as well as U.S. and foreign patents pending.

# Install the RFID Module

Use these instructions to install the RFID module on Intermec PM43 and PM43c printers.

You will find these items in the shipping box:



You will need the following tools to install the RFID module:

- T10 and T20 Torx screwdrivers
- Small wrench

To install the RFID module, you need to open the printer and physically install the module in the printer.



Warning

**This module must only be installed by an authorized service technician. The device is country/region specific and must be ordered for the correct country/region. Use of this device in other region than shown on the device home page/test label may violate applicable law.**



Follow ESD  
Procedures

**Follow standard ESD guidelines to avoid damaging the equipment you are servicing.**



Caution

**Before you begin, turn off the printer and disconnect the power cord and communication cables.**



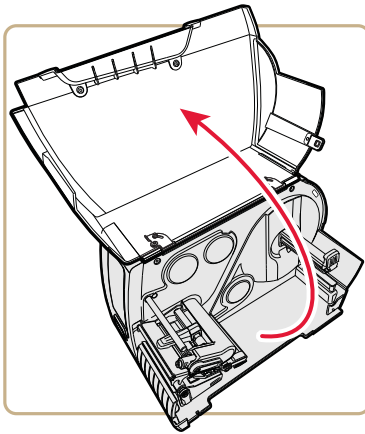
The electronic compartment contains wires and components with dangerous voltage. Make sure that the printer is switched off and the power cord is disconnected before the cover is removed.

## Open the Printer

You need to remove both the media cover and the electronics cover to install the RFID module.

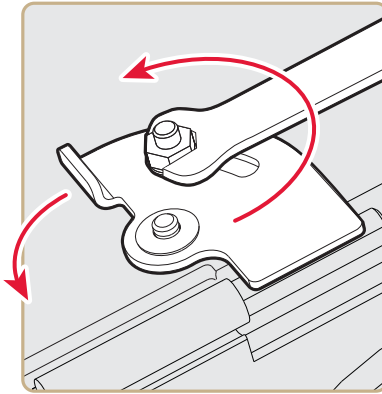
### To remove the media cover

- 1 Open the media cover.



- 2 Use the small wrench to loosen the nut that secures the media cover latches in place.

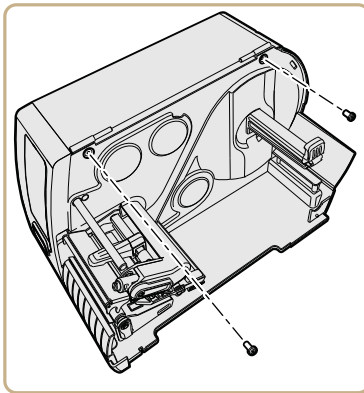
- 3 Slide the latches counterclockwise into the open position.



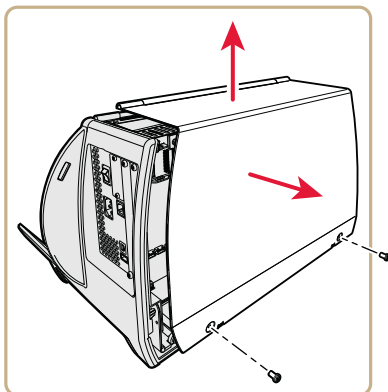
- 4 Close the media cover and lift it off the hinges.
- 5 Put the media cover aside on a soft cloth to avoid scratches.

**To remove the electronics cover**

- 1 Use a T20 Torx screwdriver to remove the two screws that secure the electronics cover to the inside of the printer base.



- 2 Use a T20 Torx screwdriver to remove the two screws located on the outside of the electronics cover.



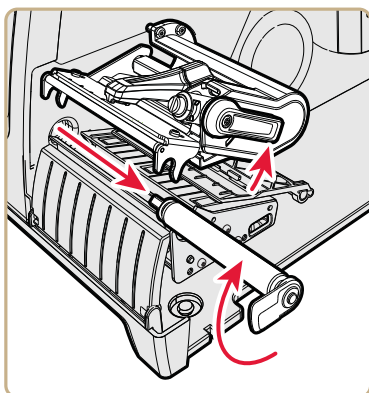
- 3 Remove the electronics cover, and put the cover aside on a soft cloth to avoid scratches.

## Install the RFID Board Assembly

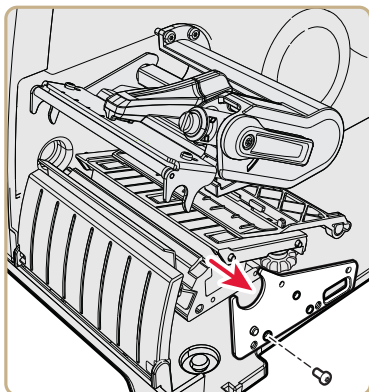
This procedure describes how to install the RFID module into PM43 and PM43c printers. You will install the RFID board assembly and the RFID antenna.

### To install the RFID antenna

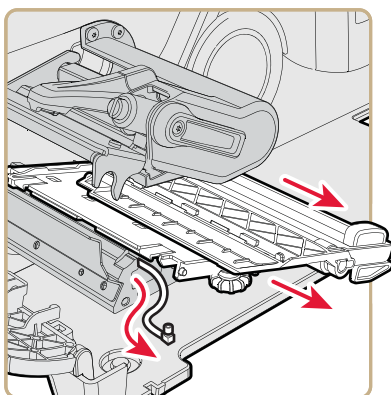
- 1 Turn the printhead lift lever counterclockwise to raise the printhead.
- 2 Turn the platen roller release lever clockwise and slide the platen roller away from the printer.



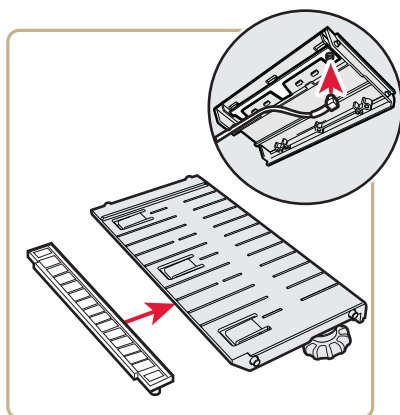
- 3 Use the T10 Torx screwdriver to remove the three screws that secure the plate on the outside of the media guide assembly.



- 4 Carefully loosen the media guide assembly and pull it away from the printer. Be careful not to pull too hard on the media guide assembly and detach it from the gap sensor.
- 5 Feed the antenna cable through the round cutout from the electronics side of the printer.



- 6 Insert the RFID antenna into the media guide assembly.

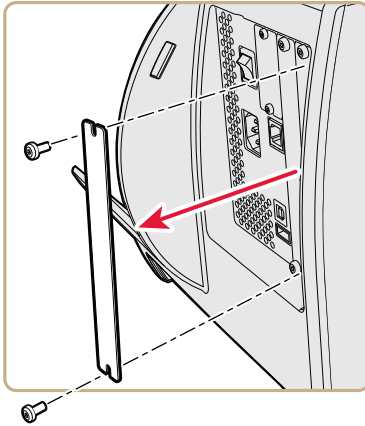


- 7 Connect the antenna cable to the antenna cable jack on the RFID antenna, and route the antenna cable through the cutout in the media guide assembly.
- 8 Slide the media guide assembly back into place while pulling the cables through from the electronics side of the printer. Make sure that both the antenna cable and media guide wires are not pinched between the media guide assembly and inside wall of the printer base.
- 9 Use the T10 Torx screwdriver to attach the plate back on the outside of the media guide assembly.
- 10 Replace and secure the platen roller.

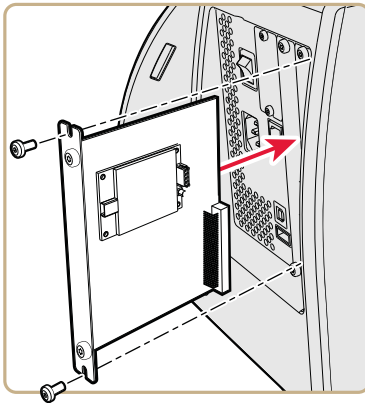


## To install the RFID board assembly

- 1 On the back of the printer, remove the two screws that secure the cover plate to the printer, and remove the cover plate.

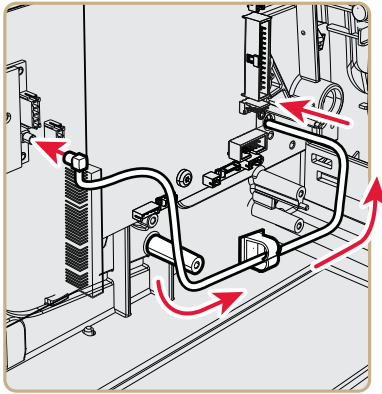


- 2 Attach the spacer screw to the center of the printer main board.
- 3 Insert the RFID assembly board into the printer and use the T20 Torx screwdriver to secure the RFID board assembly to the spacer screw with a Torx screw.

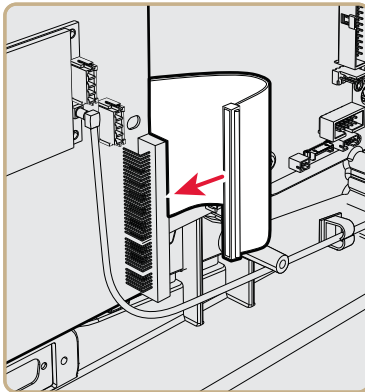


- 4 Use the T20 Torx screwdriver to secure the board assembly to the printer.

- 5 Route the antenna cable through the electronics side of the printer as shown and connect the antenna cable to the cable jack on the RFID board assembly.



- 6 Insert the RFID ribbon cable into the 80-pin connector on the printer main board.

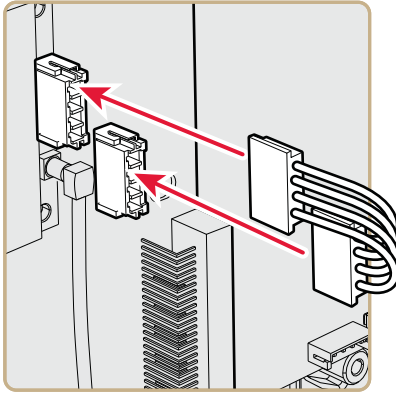


- 7 Insert the RFID ribbon cable into the 80-pin connector on the RFID assembly board.



**Note:** You may need to use the dual-slot RFID ribbon cable to connect to the main board depending on which slot you use for the RFID board assembly.

- 8 Use the 4-pin cable to connect the RFID assembly board to the RFID antenna on the assembly board.



- 9 Replace the electronics cover.
- 10 Replace the media cover.



Worldwide Headquarters  
6001 36th Avenue West  
Everett, Washington 98203  
U.S.A.

tel 425.348.2600

fax 425.355.9551

[www.intermec.com](http://www.intermec.com)

© 2012 Intermec Technologies  
Corporation. All rights reserved.



## PM43 and PM43c RFID Module Installation Instructions



P/N 931-095-001