



# SF40A

Impact Printer



## ***OHAUS Value in a Full-Featured, Portable Printer***

The all-new SF40A combines high performance and multiple functions to offer OHAUS quality and durability in a portable printer. The SF40A offers advanced functionality in an easy-to-use and set up printer at an exceptional value. This versatile printer is ideal for use in conjunction with OHAUS balances and scales in laboratory, industrial, and educational applications to ensure accurate documentation of weighing results.

### ***Standard Features Include:***

- **Multiple Application Modes and Features Support the Data Reporting Process** — SF40A is equipped with statistics and totalization modes that provide additional functionality that is of use to your weight determination and reporting processes. SF40A also offers a real-time clock feature that includes the date and time on printouts. A battery backup system ensures that the date and time data are accurate.
- **Easy Setup And Configuration Eliminate Wasted Time** — Don't let your printer inhibit the efficiency of your weighing process. OHAUS balances and scales improve productivity and increase throughput and SF40A provides the same benefits in order to keep your job on track and get it completed as proficiently as possible.  
PC configuration software makes connecting the printer between balance or scale and computer a fast and convenient process and also makes setting up date, time, and baud rate hassle-free. RS232 with GLP/GMP data output can help meet traceability and compliance requirements.
- **Multi-Language Printing Supports Universal Operation** — SF40A supports printing in the language of the connected device and can print in 13 different languages.

# SF40A Impact Printer

Model	SF40A
Number of Columns	40 columns
Print Speed	Approximately 1.2 lines per second
Paper Roll (W x Dia.)	Standard paper 2.26 in. x Ø 2.36 in. max / 57.5 mm x Ø 60 mm max.
Power Requirements	AC adapter Input: 100 – 240 VAC, 50 - 60 Hz AC adapter output: 12 VDC, 2.5 A
Interface	RS232C
Ambient Temperature	32 °F – 104 °F / 0 °C – 40 °C
Printer Dimensions (W x L x H)	5.5 x 8.1 x 2.9 in. / 140 x 205 x 73 mm
Net Weight	1.6 lb / 740 g (Paper roll included)

## Other Standard Features

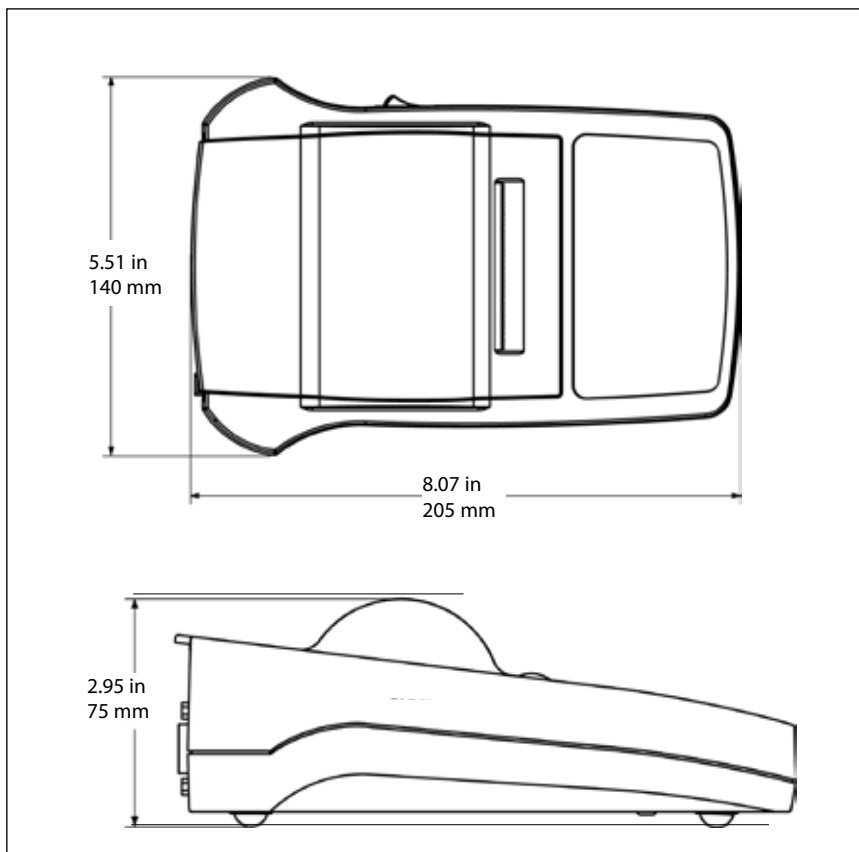
Status indicator, 40 characters per line, compatible with continuous label paper, perform zero and tare operations directly from the printer.

Multi-Language Printing: English, Spanish, German, Italian, French, Chinese, Korean, Japanese, Russian, Polish, Portuguese, Hungarian and Czech.

## Spare Parts and Accessories

Paper .....	12120799
Paper Rotary Axis .....	30063920
Ink Ribbon .....	12120798
Printer Cable 1 - Discovery, Explorer™, Adventurer™ Pro, Pioneer™, MB 35/45, MB 23/25, Ranger™, Ranger™ Count, "T" Series Dry Indicators .....	12122603
Printer Cable 2 - Voyager® Pro, Explorer® Pro .....	80500540
Cable adapter .....	30059316

## Outline Dimensions



80774639 © Copyright OHAUS Corporation

**OHAUS CORPORATION**  
[www.ohaus.com](http://www.ohaus.com)  
**ISO 9001:2008**  
 Registered Quality  
 Management System

