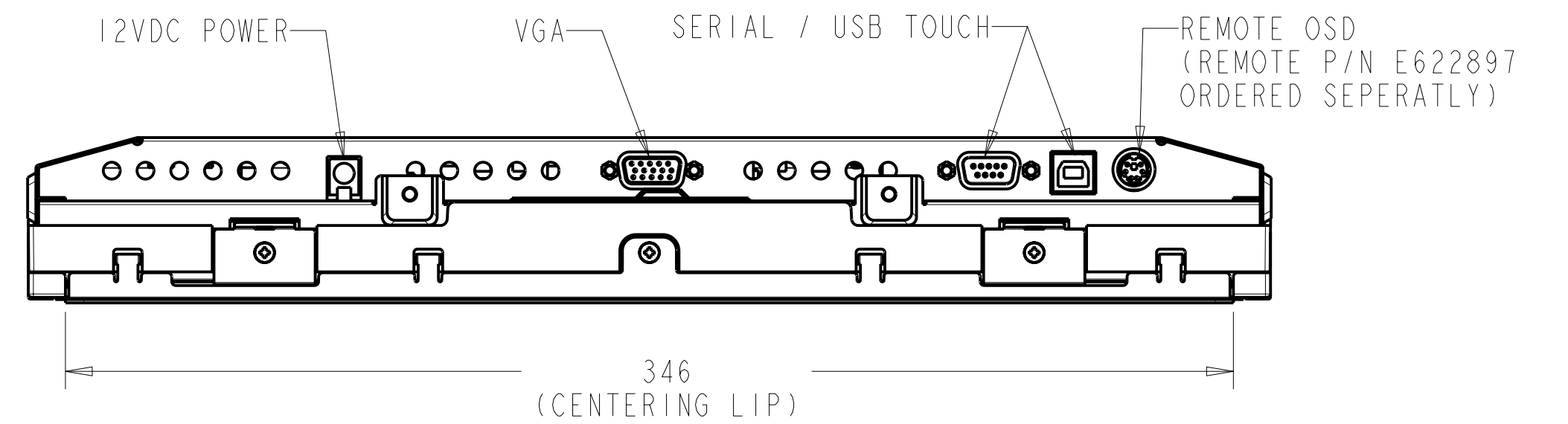
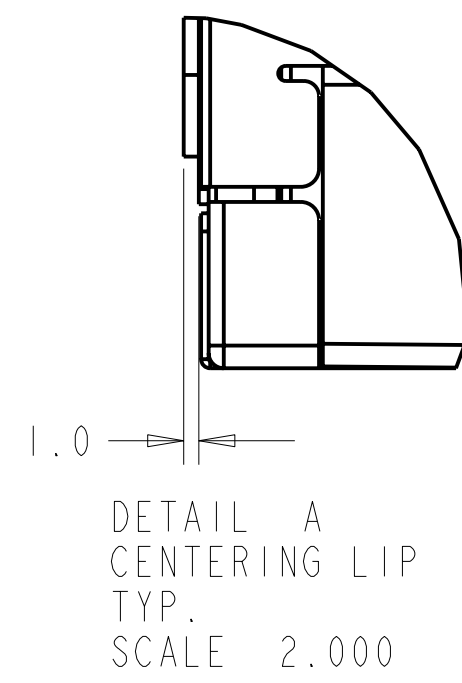
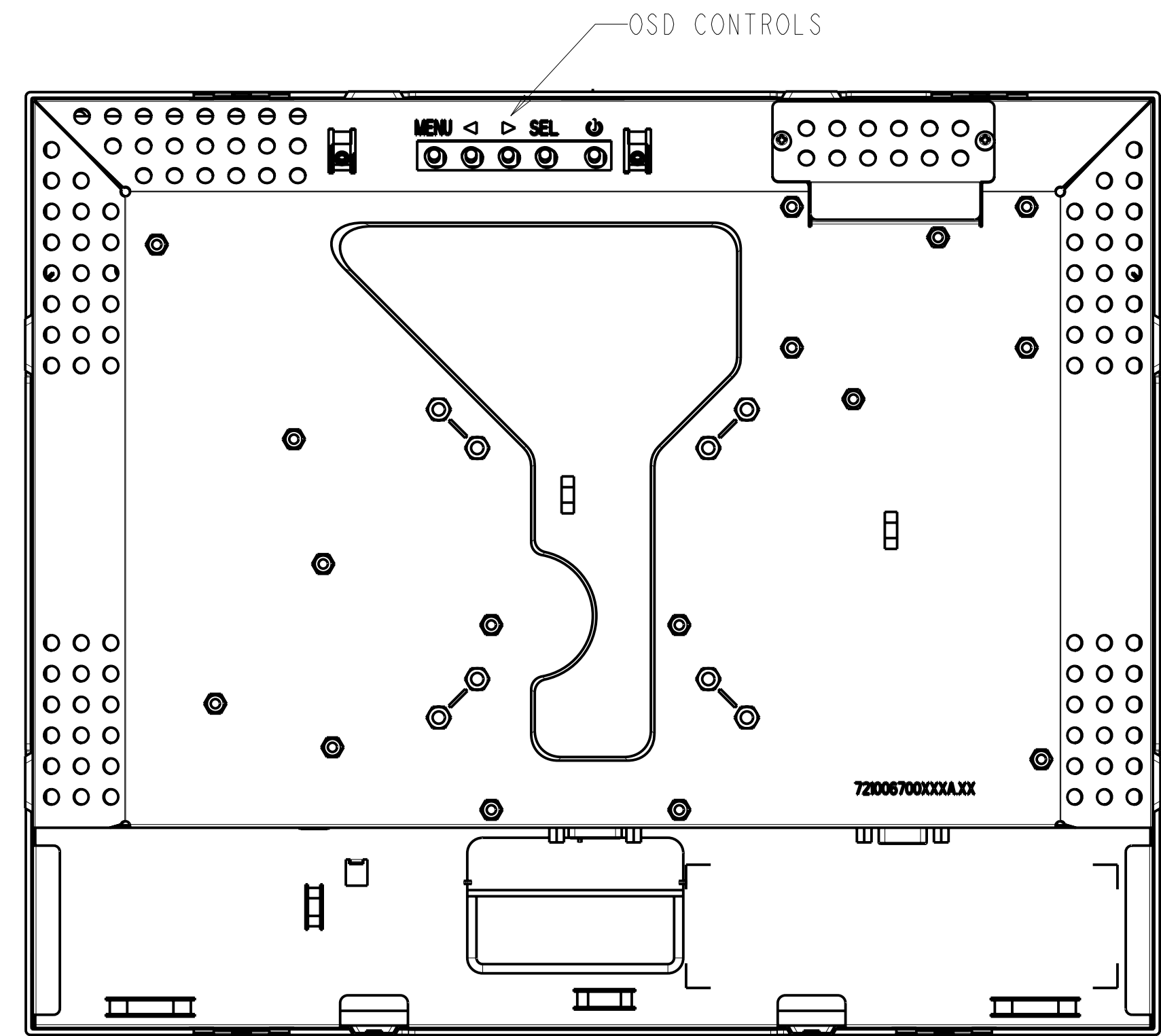
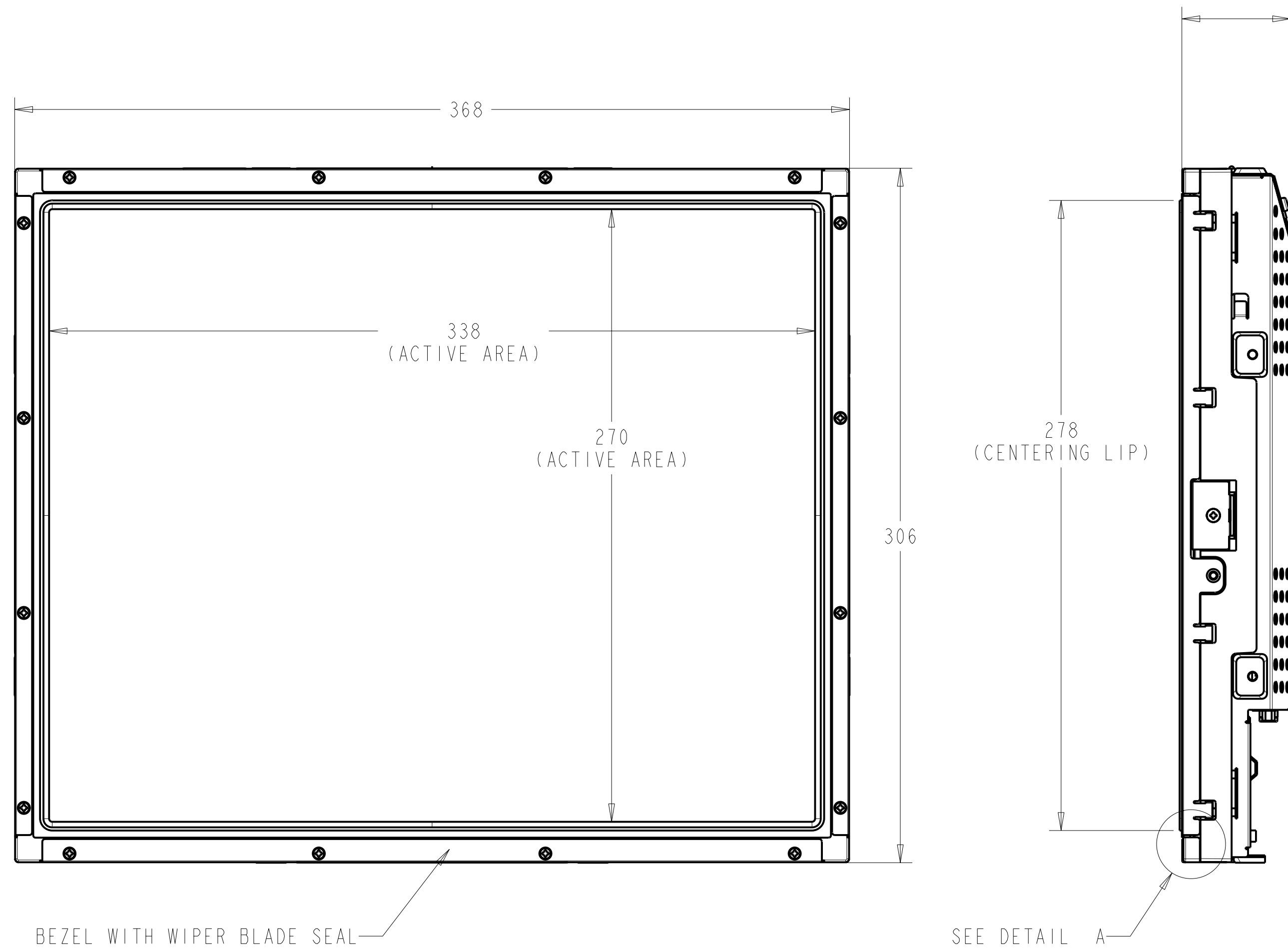
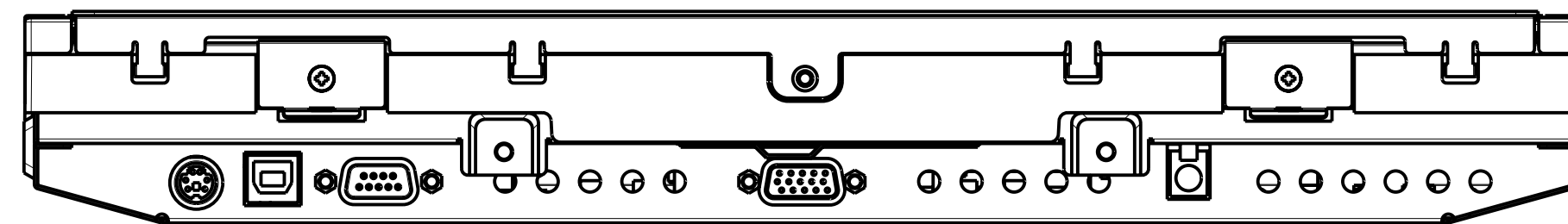
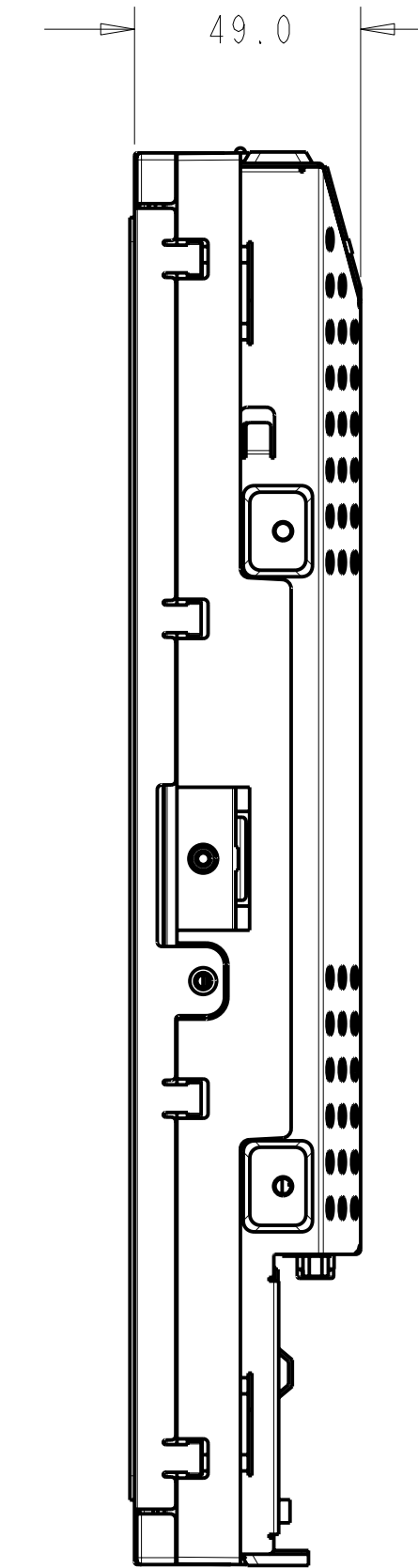
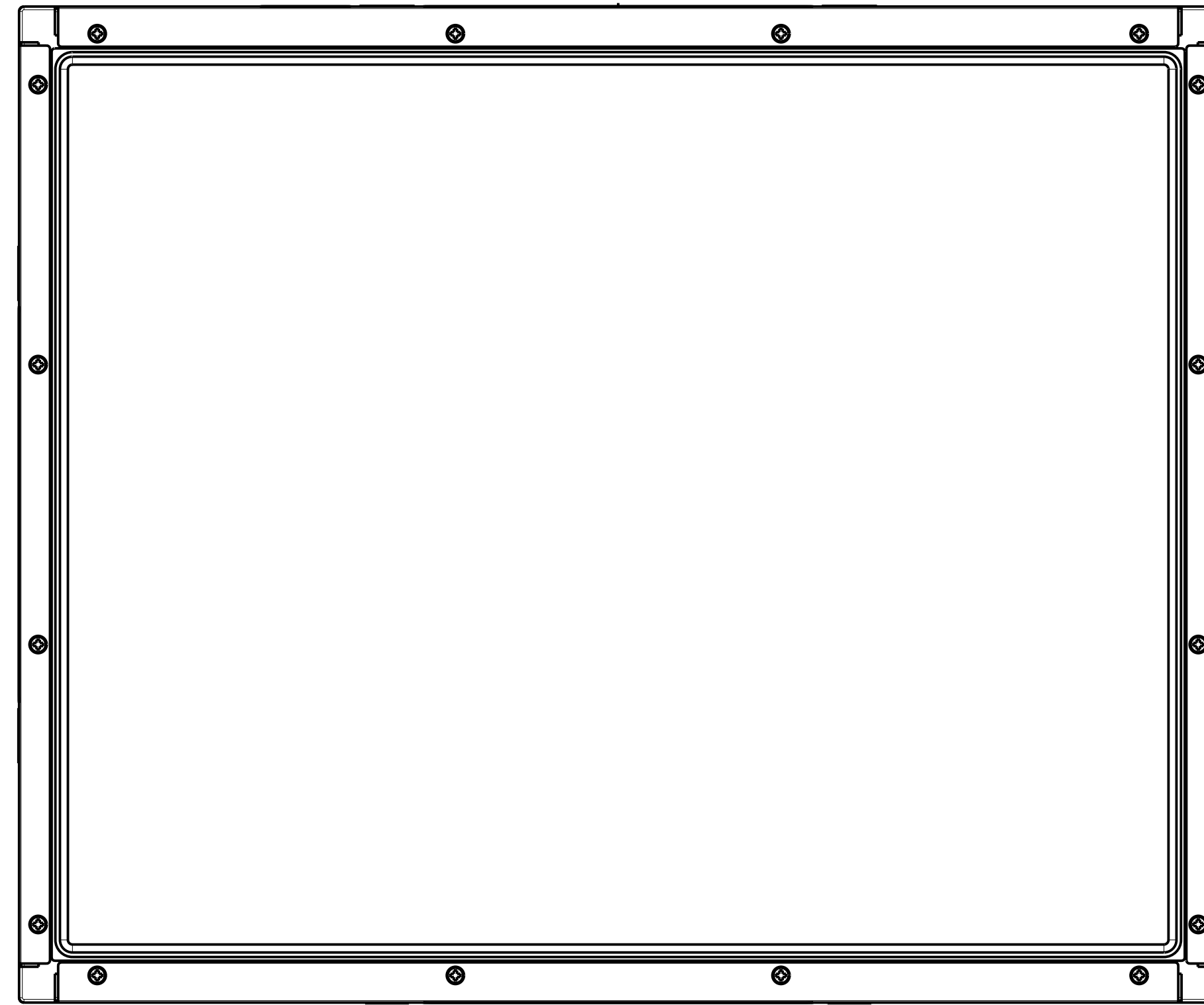


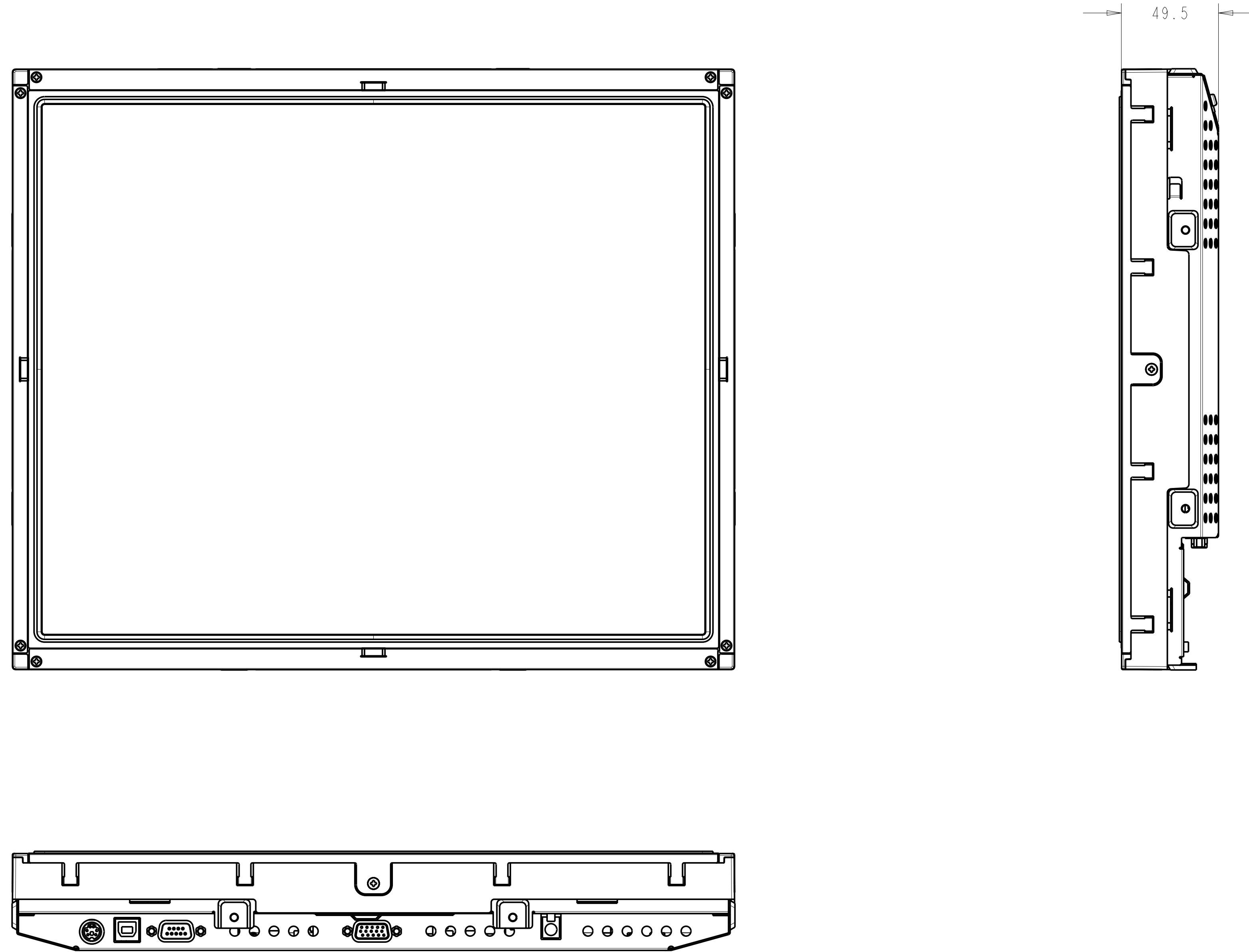
NOTES:  
 1. ALL DIMENSIONS +/- 1.0MM UNLESS NOTED  
 2. DIMENSIONS SHOWN ARE FOR ALL TOUCH TECHNOLOGIES UNLESS NOTED.



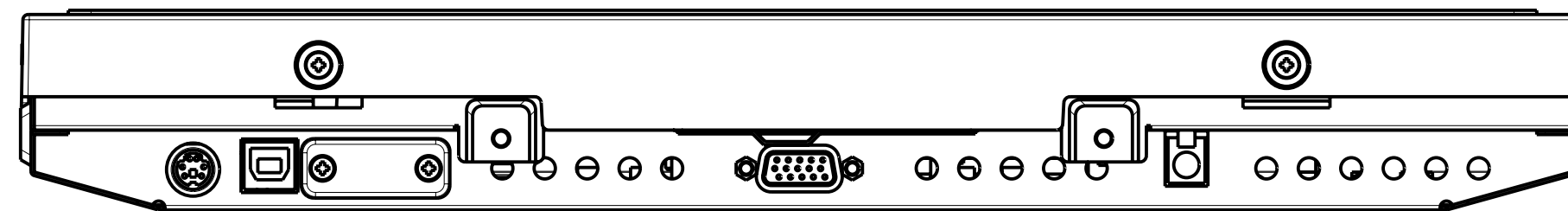
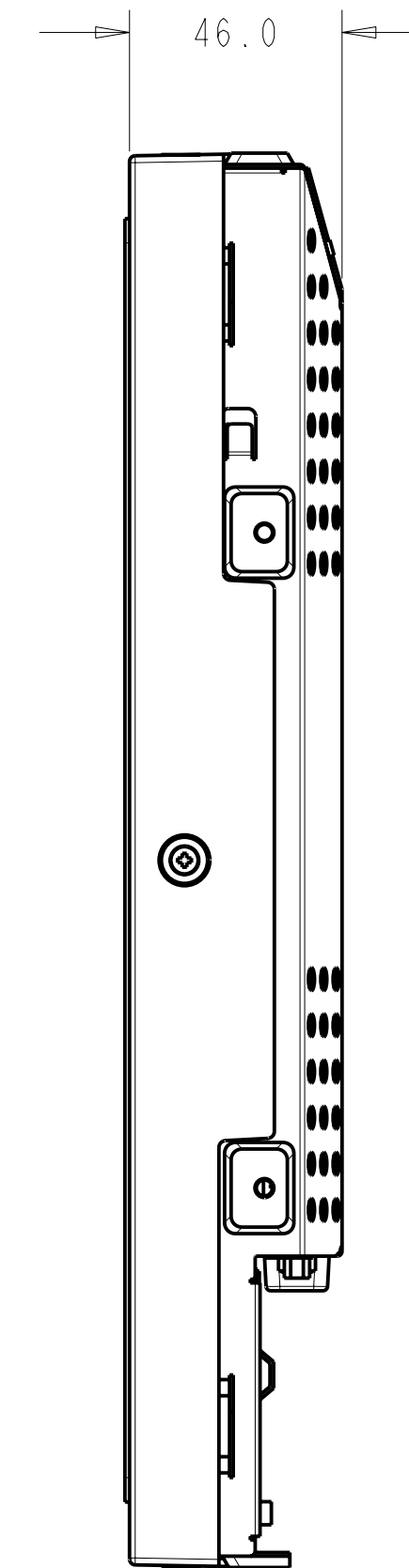
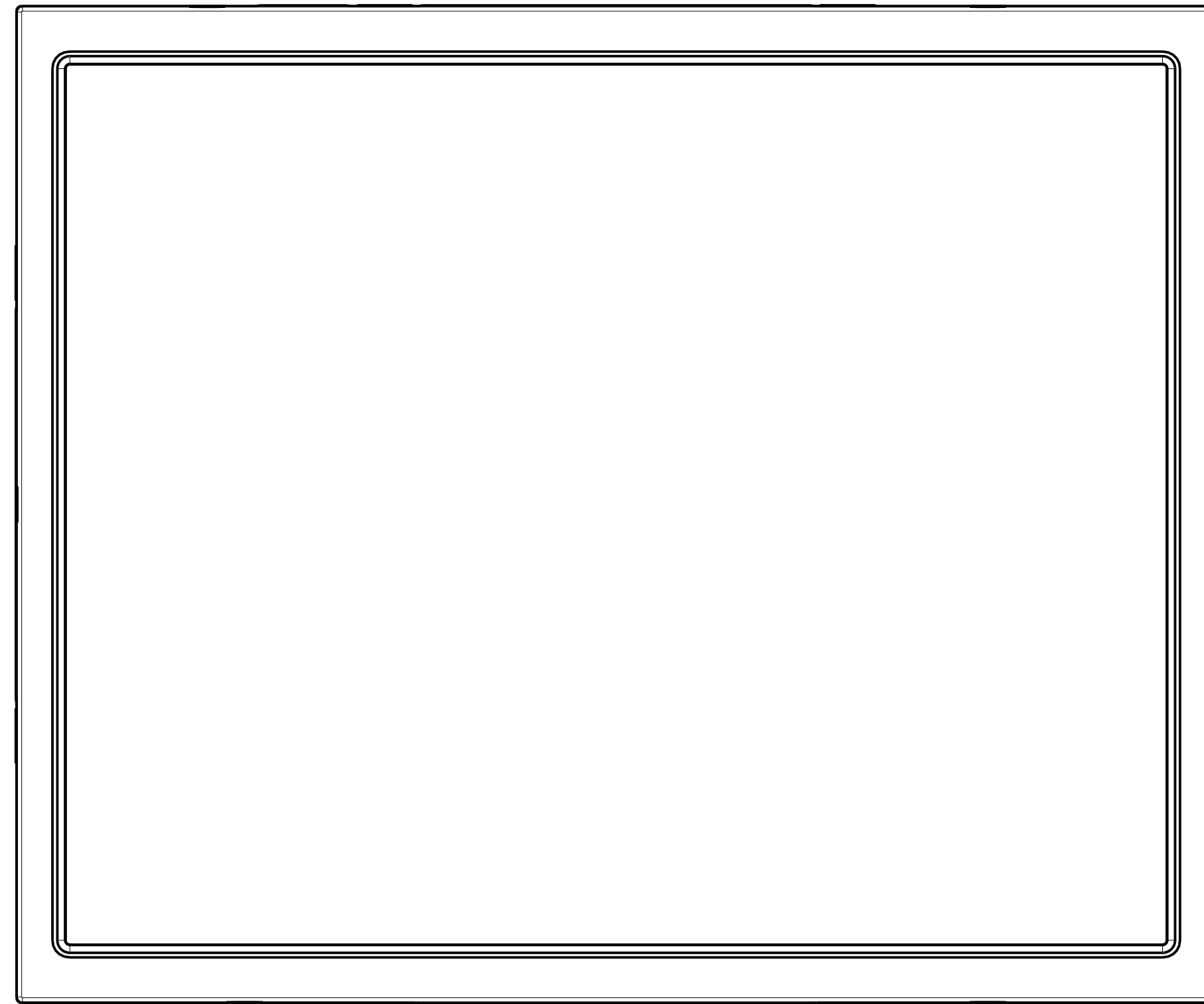
SECURE TOUCH OPTION



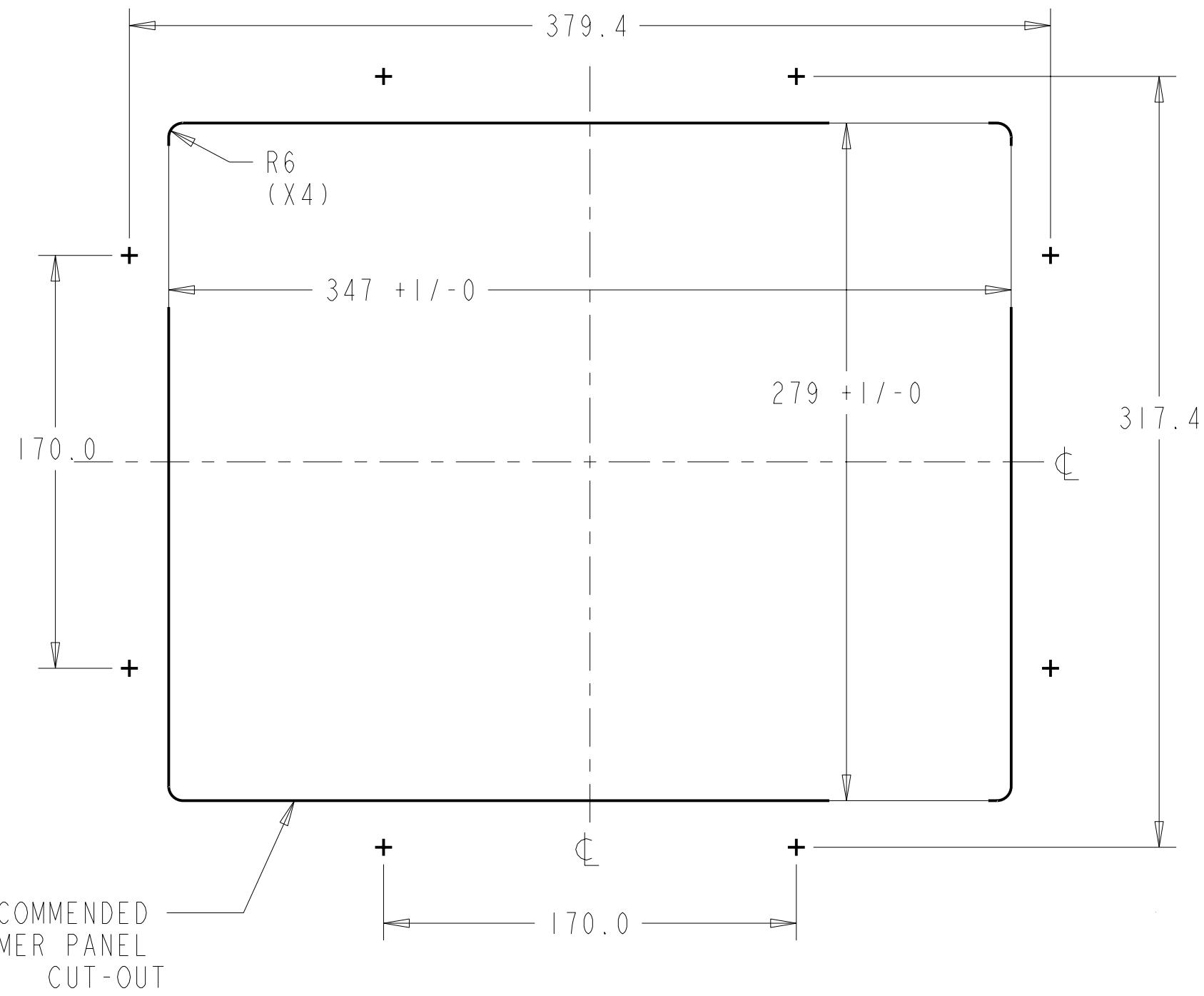
IR OPTION



APR OPTION



**RECOMMENDED CUSTOMER  
PANEL CUT-OUT (SEE NOTE A)**



**NOTE A**  
CUSTOMER PANEL MATERIAL:

1. WOOD:  $\varnothing$ 4.5 HOLES THRU FOR M4 SCREWS W/NUTS, OR, NO THRU HOLES, SCREWS FOR WOOD  $\varnothing$ 4mm,
2. SHEET METAL: CONCEALED HEAD THREADED STUDS M4 W/NUTS.

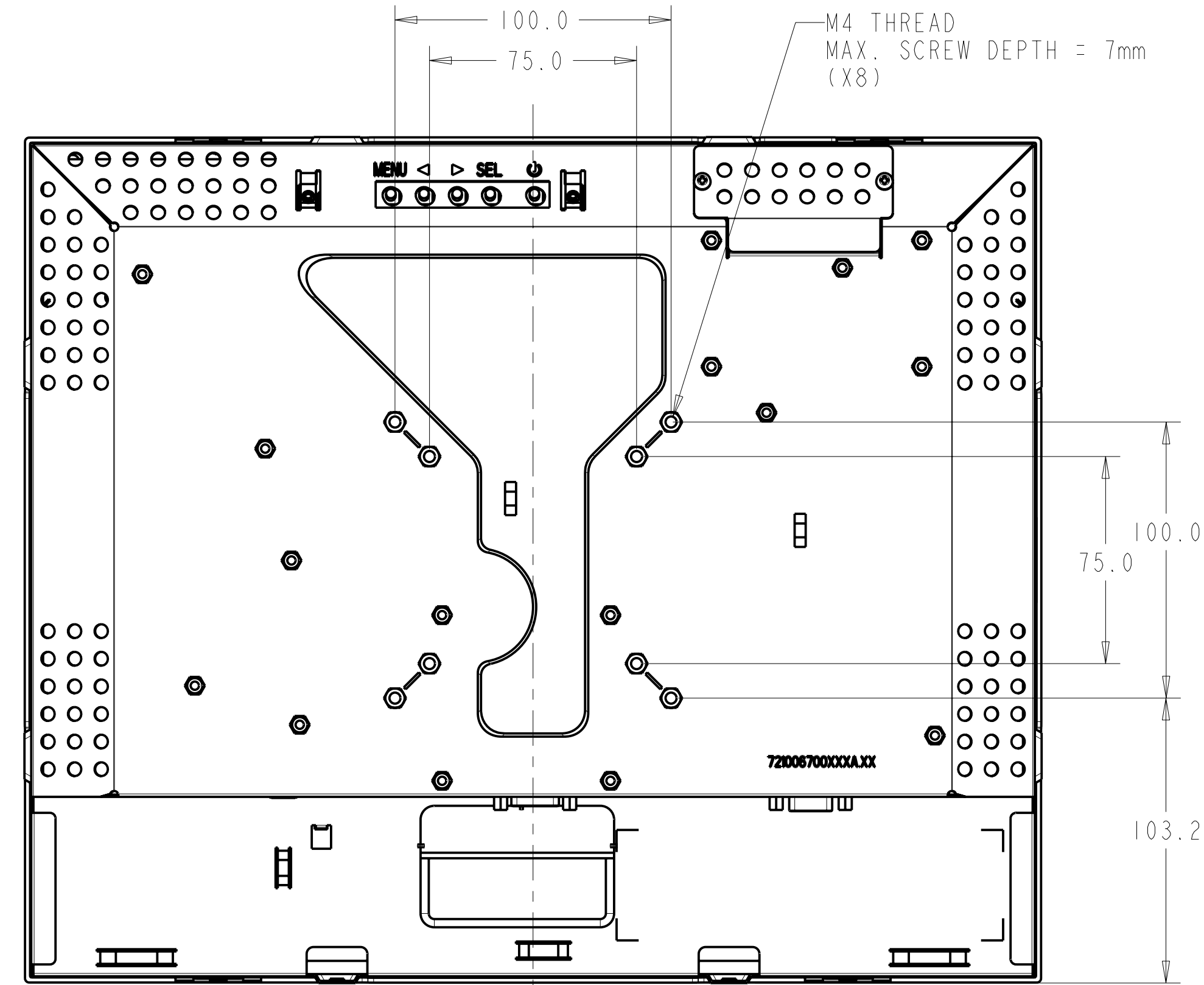
**NOTE B**  
MONITOR INCLUDES 2 BRACKETS, ADDITIONAL BRACKETS AVAILABLE, P/N E147211

**NOTE C**  
32.2 mm = SECURE TOUCH  
32.7 mm = IR  
29.2 mm = APR

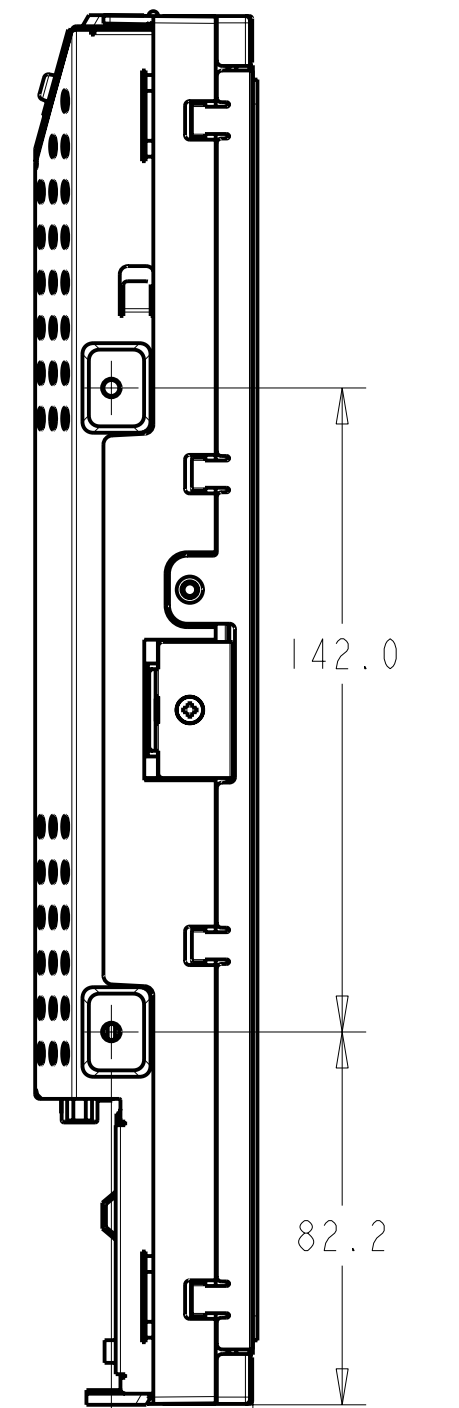
**NOTE D**  
15.5 mm = SECURE TOUCH  
16.0 mm = IR  
12.5 mm = APR

**NOTE E**  
2.0 mm = SECURE TOUCH  
1.5 mm = IR  
5.0 mm = APR

**VESA MOUNT**

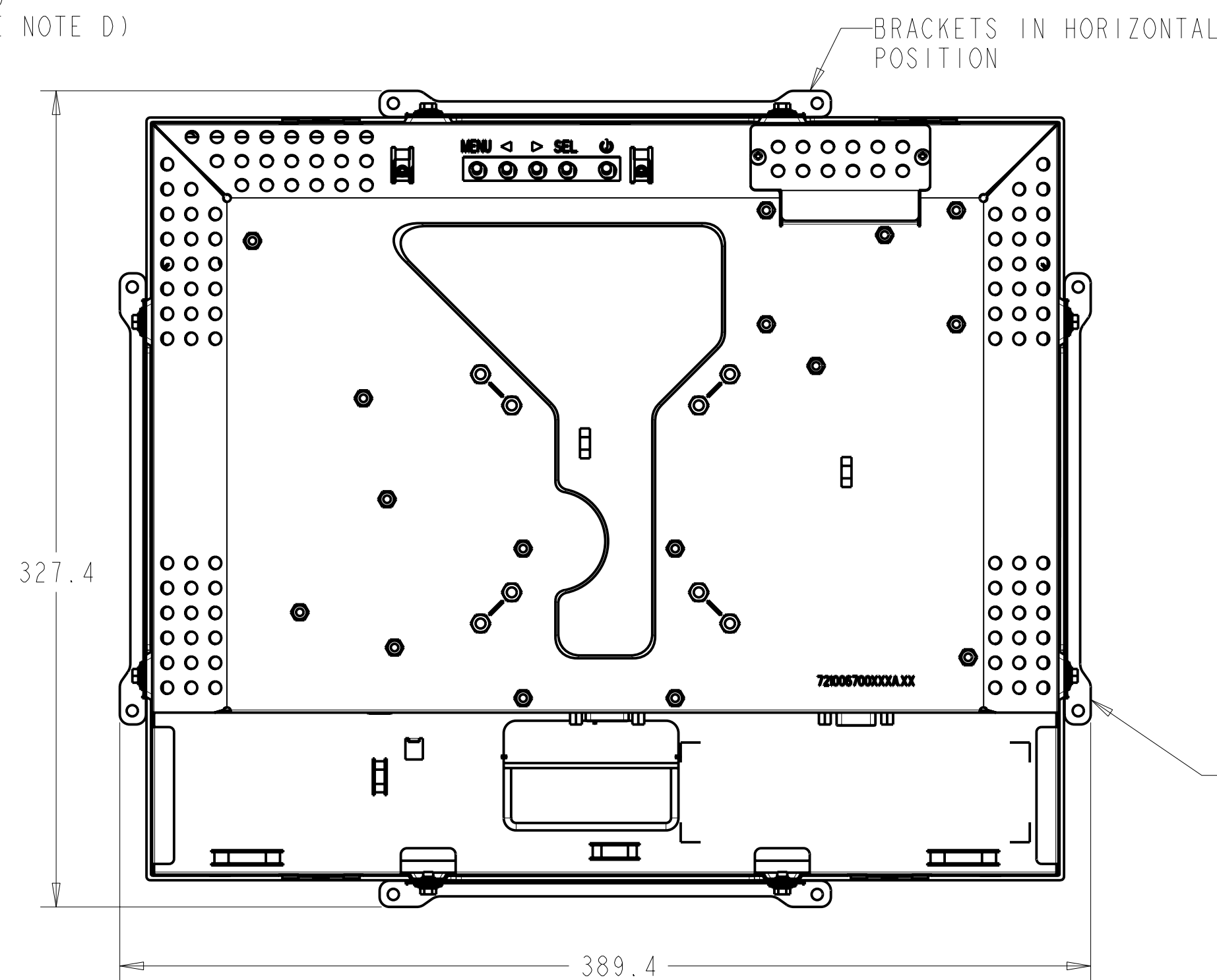
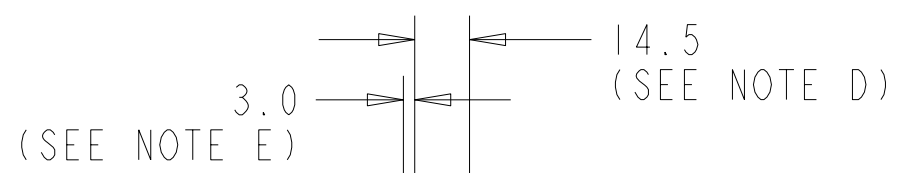


**SIDE MOUNT, VERTICAL**

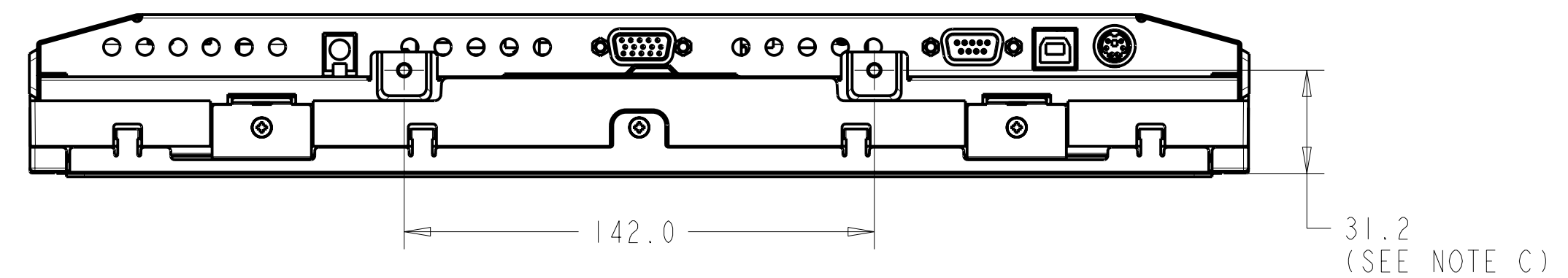


**REAR MOUNT WITH BRACKETS,  
HORIZONTAL OR VERTICAL (SEE NOTE B)**

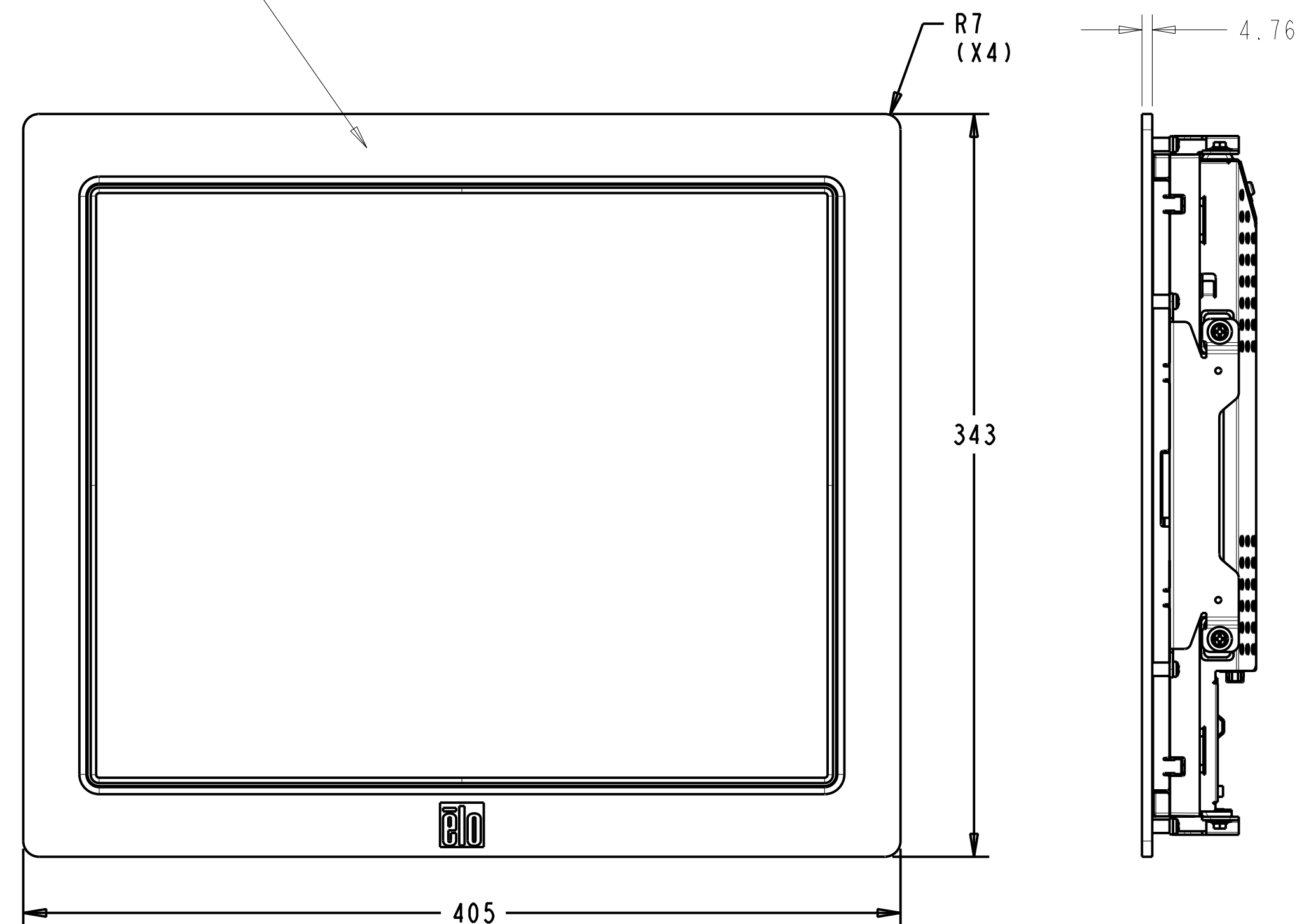
MOUNTING BRACKET ADJUSTMENT RANGE



**SIDE MOUNT, HORIZONTAL**



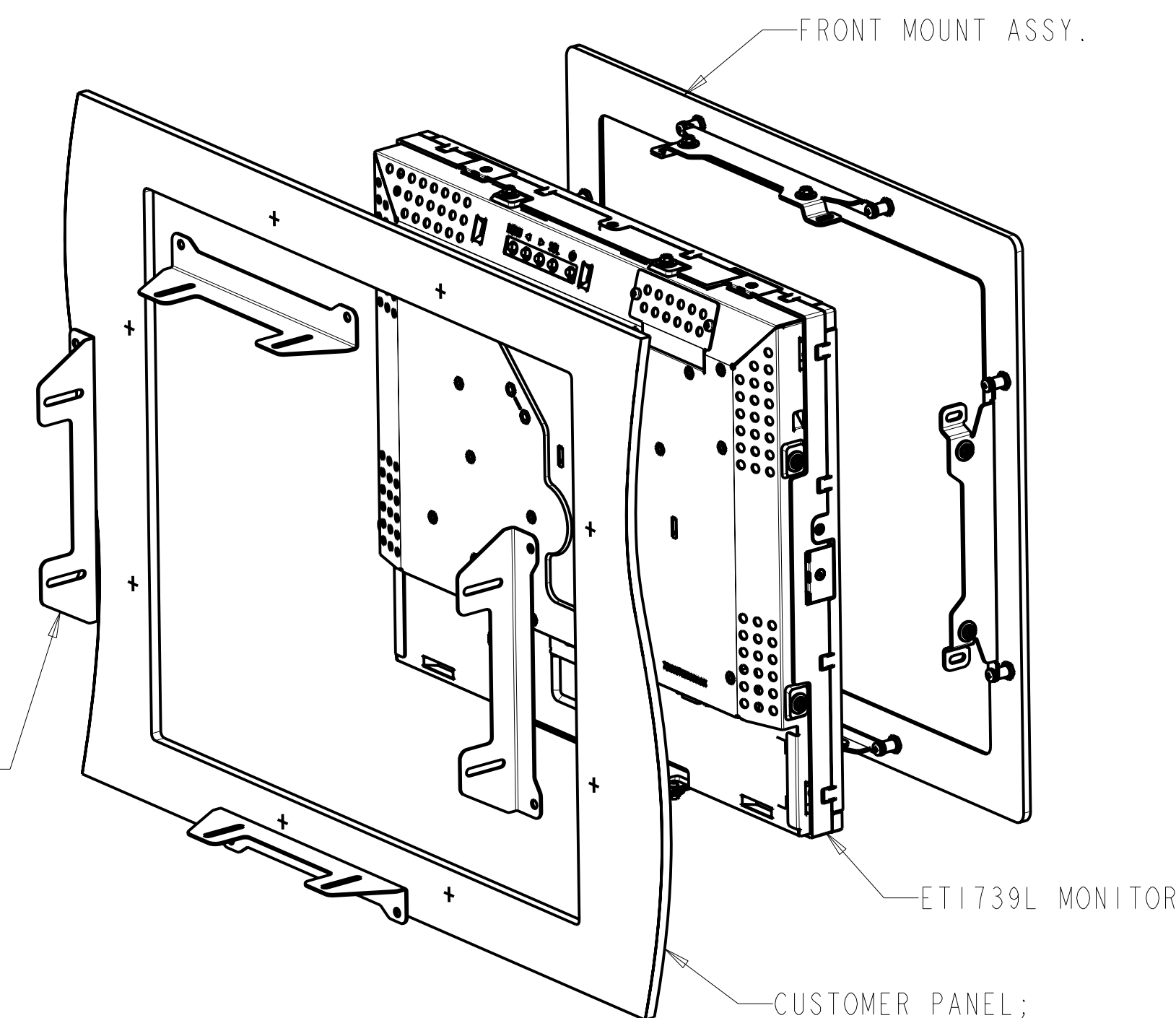
BLACK ANODIZE FINISH



**FRONT MOUNT OPTION**

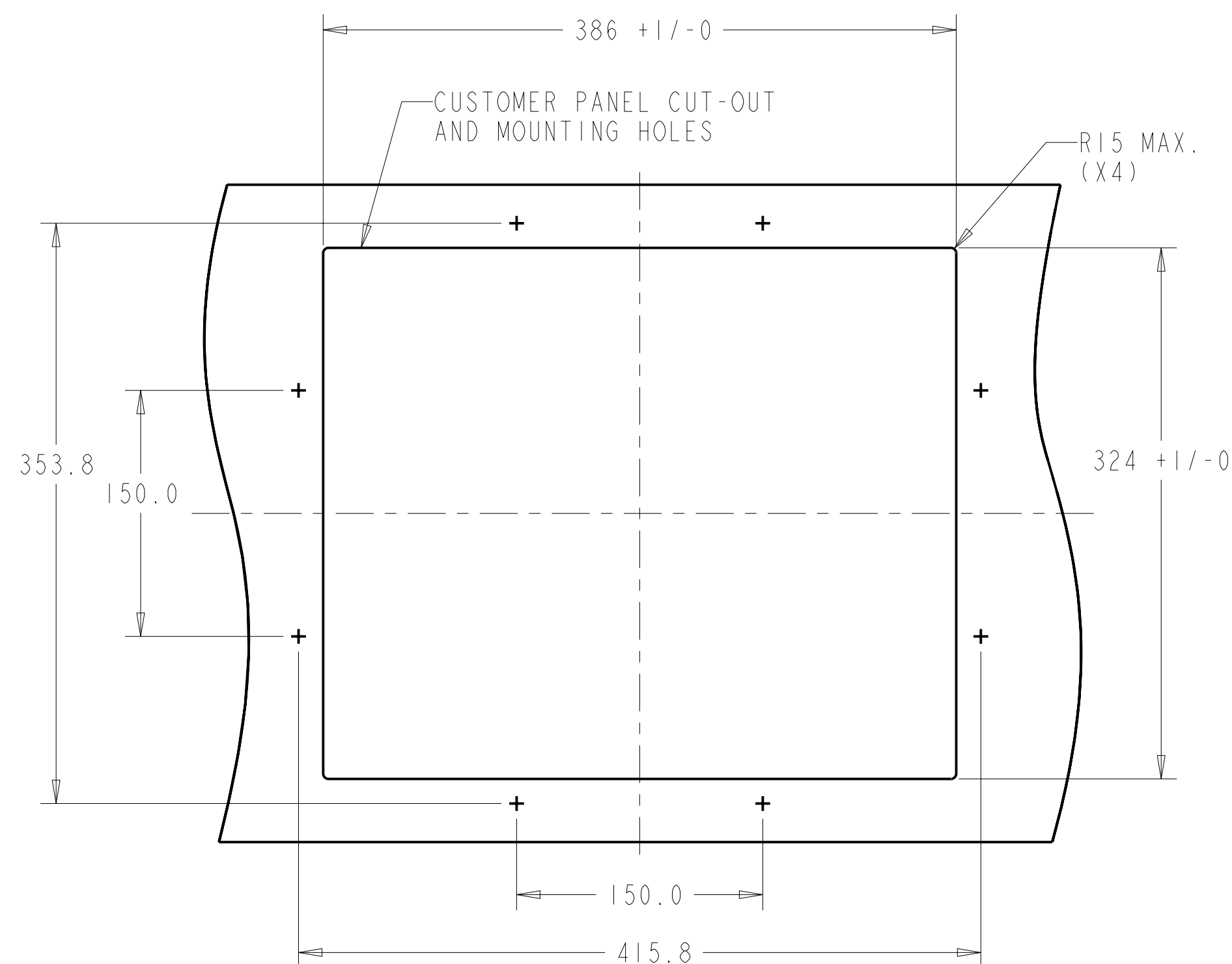
**P/N E860319**

(ORDERED SEPERATLY, CUSTOMER ASSEMBLED)

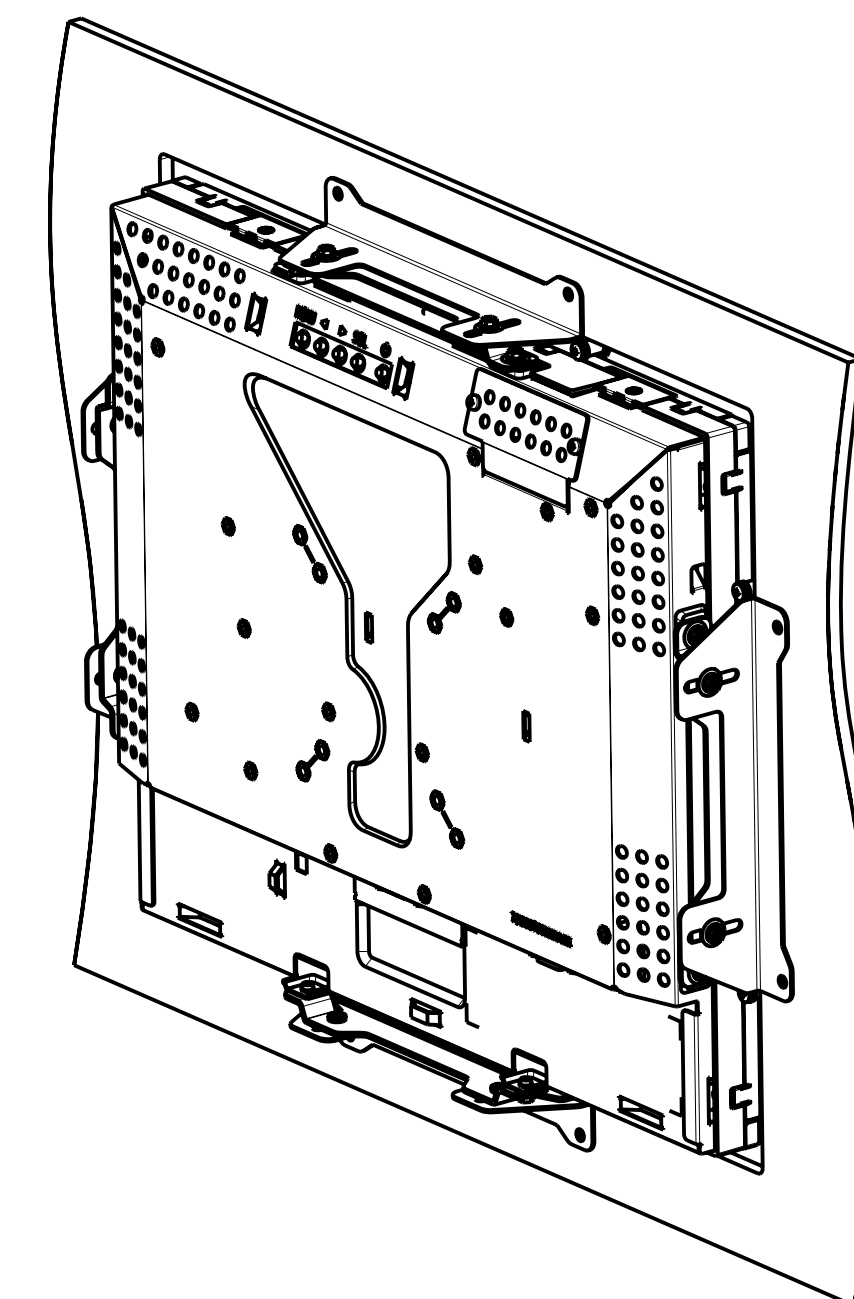
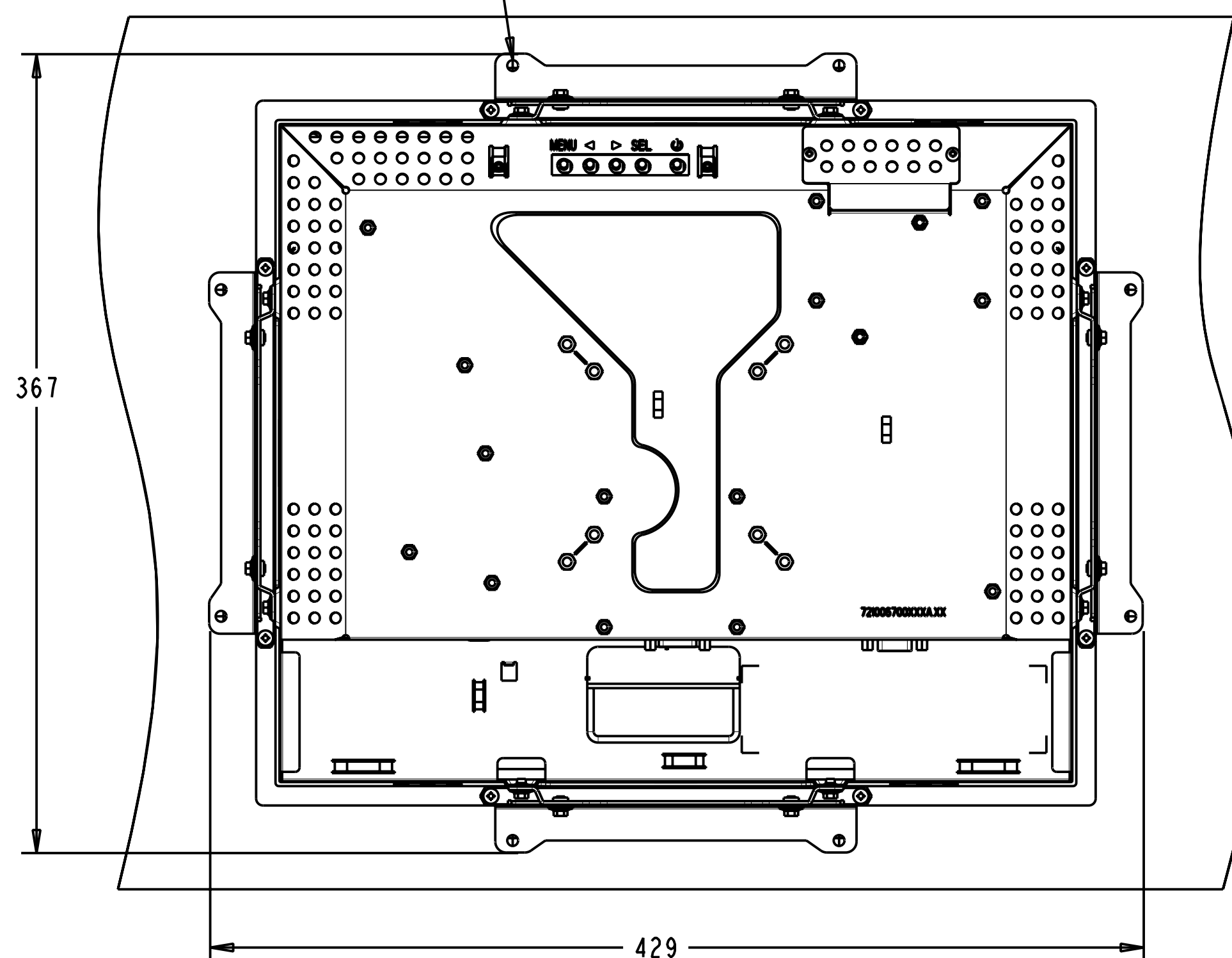


FRONT MOUNT BRACKETS (4)  
(INCLUDED WITH FRONT MOUNT ASSY.)

CUSTOMER PANEL;  
FRONT MOUNT BRACKETS ACCOMMODATE  
MAX. 14mm MATERIAL THICKNESS.



- Ø5.0 (X8) NOTE:
- IF CUSTOMER PANEL MATERIAL IS WOOD:  
Ø4.5mm HOLES THRU FOR M4 SCREWS,  
OR NO THRU HOLES, SCREWS FOR WOOD Ø4mm.
  - IF CUSTOMER PANEL MATERIAL IS SHEET METAL:  
CONCEALED HEAD THREADED STUDS M4 WITH NUTS.



**RACK MOUNT OPTION**  
**P/N E939253**  
(ORDERED SEPERATLY, CUSTOMER ASSEMBLED)

